



SYMMONS® Naru™

Shower System 4101

Specification Submittal



Feature Highlights

- Symmons shower system with lever handles.
- Symmons Temptrol® pressure balancing mixing valve with adjustable stop screw to limit handle turn.
- Shower head with mounting bracket
- Flow rate 2.5 gpm (9.5 L/min)
- Metal construction with polished chrome finish

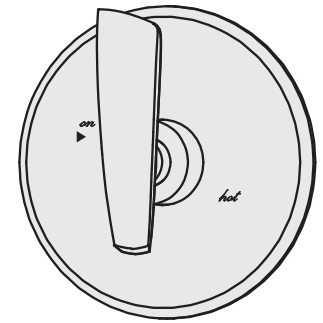
Model Numbers

- 4101.....Shower System with Symmons Temptrol® pressure balancing mixing valve, p/n 4000-BODY
- 4101-TRM.....Trim only, valve must be ordered separately
- 4000-BODY.....Symmons Temptrol® pressure balancing mixing valve without trim
- 4000-X-BODY.... Symmons Temptrol® pressure balancing mixing valve without trim. Valve includes integral service stops to allow water shut-off for service.

Finish Options

Append appropriate -suffix to model number.

- STN Satin nickel finish
- PNL Polished nickel finish



Options / Modifications

Append appropriate -suffix to model number.

- IPS 1/2 inch female IPS connections on Symmons Temptrol® mixing valve
- X Symmons Temptrol® pressure balancing mixing valve includes integral service stops to allow water shut-off for service, p/n 4000-X-BODY. (Option only applies when ordering model 4101.)

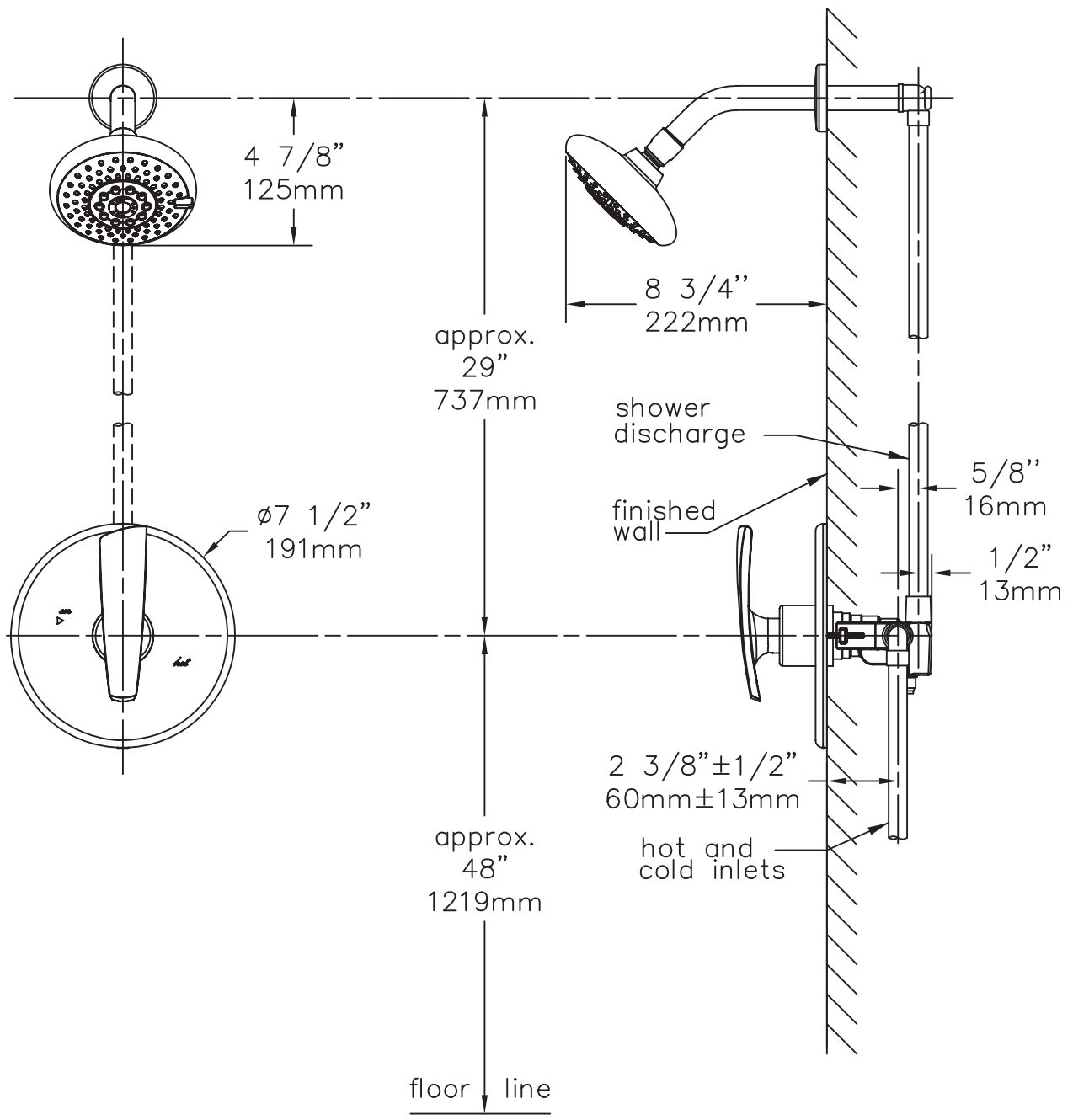
Standards / Certifications

ASME A112.18.1-2005/CSA B125.1-05

Warranty

- Limited Lifetime - to the original end purchaser in consumer installations.
- 5 years - for commercial installations

Dimensions *Naru Shower System, 4101*



Note: Dimensions subject to change without notice.