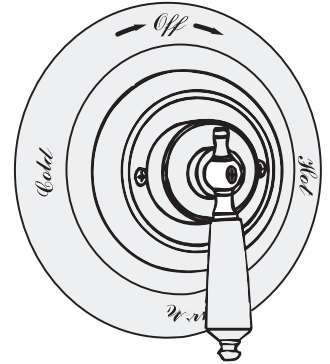


SYMMONS[®] Carrington[™]

Shower Valve System 4400

Specification Submittal



Feature Highlights

- Symmons shower valve system with lever handles.
- Symmons Temptrol[®] pressure balancing mixing valve with adjustable stop screw to limit handle turn.
- Metal construction with polished chrome finish

Model Numbers

- 4400.....Shower Valve System with Symmons Temptrol[®] pressure balancing mixing valve
p/n 4000-BODY
- 4400-TRM.....Trim only, valve must be ordered separately
- 4000-BODY.....Symmons Temptrol[®] pressure balancing mixing valve without trim
- 4000-X-BODY.... Symmons Temptrol[®] pressure balancing mixing valve without trim. Valve includes integral service stops to allow water shut-off for service.

Finish Options

Append appropriate -suffix to model number.

- STN Satin nickel finish

Options / Modifications

Append appropriate -suffix to model number.

- IPS 1/2 inch female IPS connections on Symmons Temptrol[®] mixing valve
- X Symmons Temptrol[®] pressure balancing mixing valve includes integral service stops to allow water shut-off for service, p/n 4000-X-BODY. (Option only applies when ordering model 4400.)

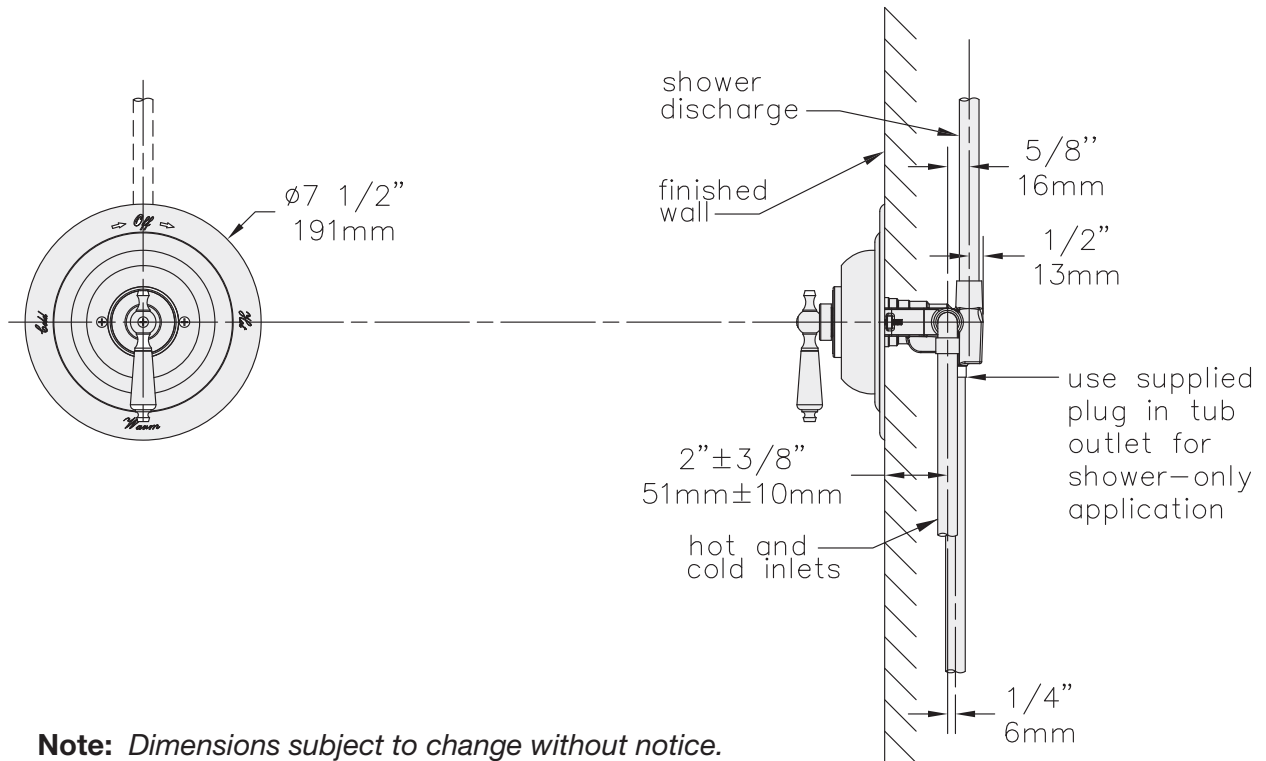
Standards / Certifications

ASME A112.18.1-2005/CSA B125.1-05

Warranty

- Limited Lifetime - to the original end purchaser in consumer installations.
- 5 years - for commercial installations

Dimensions Carrington Shower Valve System, 4400



Note: Dimensions subject to change without notice.