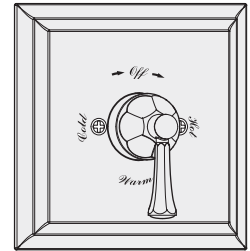
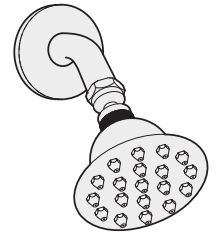


Location:

SYMMONS® Canterbury™

Shower System 4501

Specification Submittal



Feature Highlights

- Symmons shower system with lever handles.
- Symmons Temptrol® pressure balancing mixing valve with adjustable stop screw to limit handle turn.
- Shower head with mounting bracket
- Flow rate 2.5 gpm (9.5 L/min)
- Metal construction with polished chrome finish

Model Numbers

- 4501..... Shower System with Symmons Temptrol® pressure balancing mixing valve p/n 4000-BODY
- 4501-TRM..... Trim only, valve must be ordered separately
- 4000-BODY..... Symmons Temptrol® pressure balancing mixing valve without trim
- 4000-X-BODY.. Symmons Temptrol® pressure balancing mixing valve without trim. Valve includes integral service stops to allow water shut-off for service.

Finish Options / Modifications

Append appropriate -suffix to model number.

- STN Satin nickel
- Polished chrome (standard finish)

Options / Modifications

Append appropriate -suffix to model number.

- IPS 1/2 inch female IPS connections on Symmons Temptrol® mixing valve
- X Symmons Temptrol® pressure balancing mixing valve includes integral service stops to allow water shut-off for service, p/n S-4002-X-BODY. (Option only applies when ordering model S-4300TS.)
- L/HD Showerhead is not included
Includes showerhead arm and flange only .
- VP Showerhead is vandal resistant
- 2.0 2.0 (7.6 L/min) Flow rate restrictor
- 1.5 1.5 (5.7 L/min) Flow rate restrictor

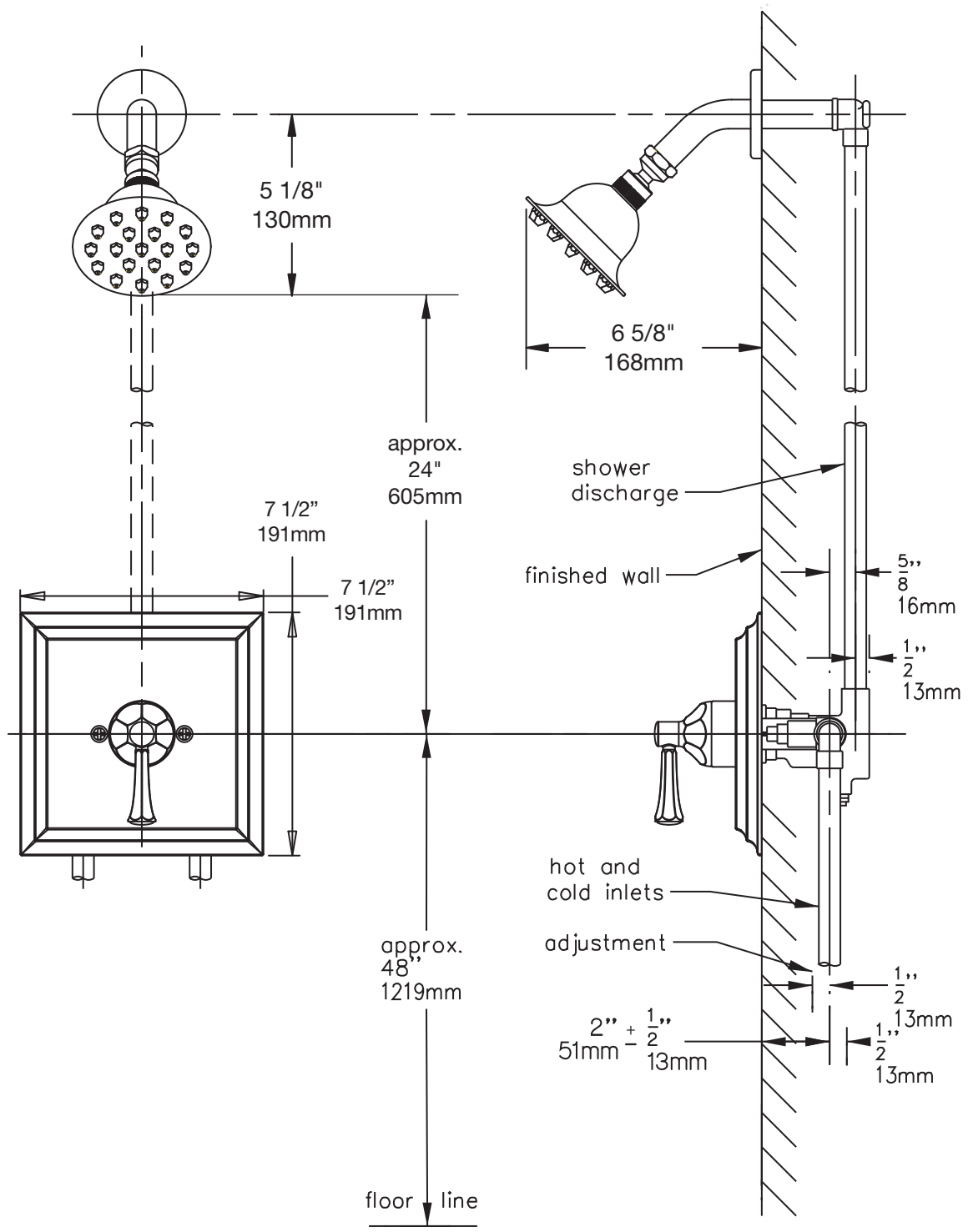
Standards / Certifications

ASME A112.18.1-2005/CSA B125.1-05

Warranty

- Limited Lifetime - to the original end purchaser in consumer installations.
- 5 years - for commercial installations

Dimensions *Canterbury Shower System, 4501*



Note: Dimensions subject to change without notice.