

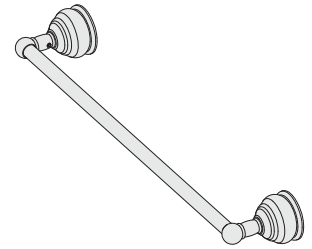
Location:



# SYMMONS® Allura™

## 24 inch Towel Bar 473TB-24

### Specification Submittal



#### Model Numbers

- 473TB-24 24 inch towel bar (chrome finish)

#### Feature Highlights

- Metal construction,
- Standard finish is polished chrome

#### Finish Options

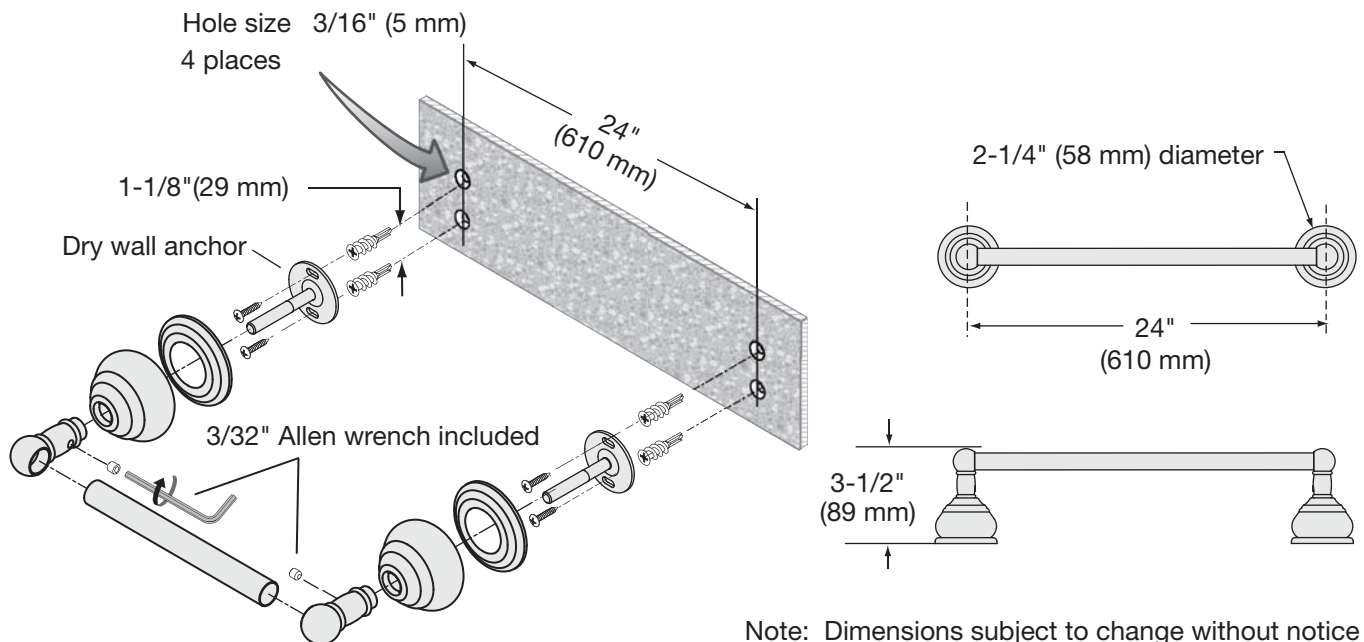
Append appropriate -suffix to model number.

- STN Satin nickel finish
- Polished chrome (standard finish)

#### Warranty

- Limited Lifetime - to the original end purchaser in consumer installations.
- 5 years - for commercial installations

### Dimensions Allura Towel Bar, 473TB-24



Symmons Industries, Inc. ■ 31 Brooks Drive ■ Braintree, MA 02184  
(800) 796-6667, (781) 848-2250 ■ Fax (800) 961-9621, (781) 664-1300  
Website: [www.symmons.com](http://www.symmons.com) ■ Email: [customerservice@symmons.com](mailto:customerservice@symmons.com)

©2009 Symmons Industries, Inc. Printed in U.S.A. ■ 031009



# SYMMONS®

the smart choice™