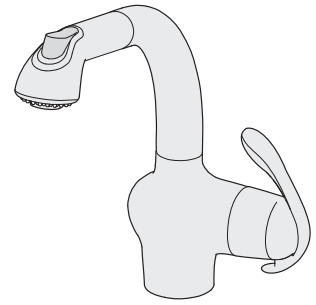




SYMMONS® Forza™

Kitchen Faucet S-2640

Specification Submittal



Model Numbers

- S-2640..... Chrome finish
- S-2640-STN..... Satin Nickel finish
- S-2640-STSS..... Stainless Steel finish

Feature Highlights

- Single handle kitchen faucet with horizontal pull-out spray spout with retractable pull-out spray hose
- Pull-out spray spout has spray to stream touch control
- Integral vacuum breaker and ceramic control components
- Braided hose connections
- Single hole or 3 hole installation (includes optional deck plate / escutcheon)

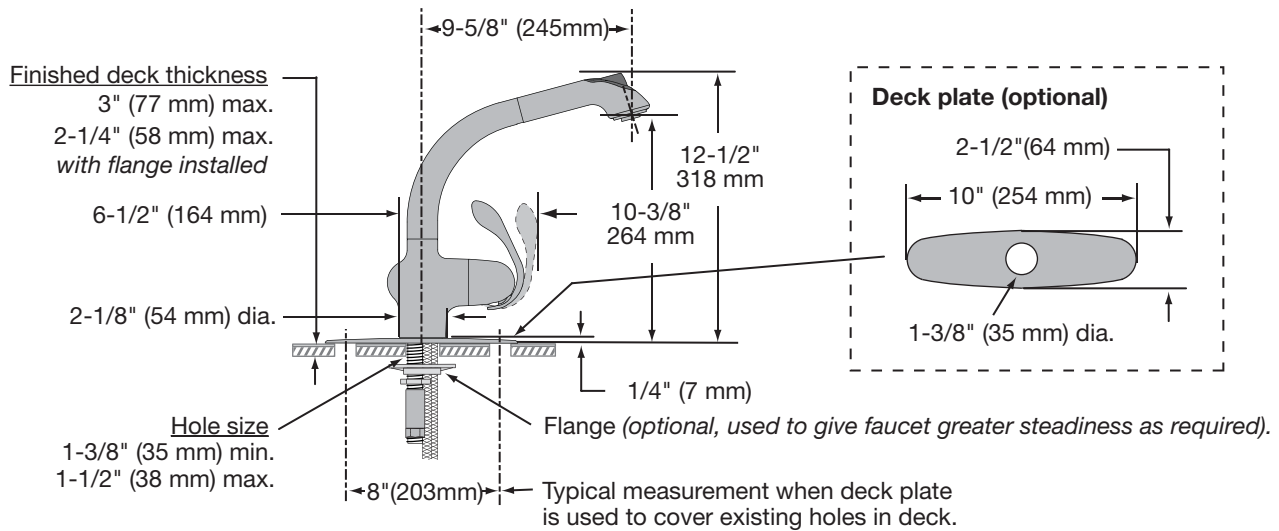
Standards / Certifications

ASME A112.18.1-2005/CSA B125.1-05

Warranty

- Limited Lifetime - to the original end purchaser in consumer installations.
- 5 years - for commercial installations

Dimensions *Forza Kitchen Faucet, S-2640*



Symmons Industries, Inc. ■ 31 Brooks Drive ■ Braintree, MA 02184
 (800) 796-6667, (781) 848-2250 ■ Fax (800) 961-9621, (781) 843-3849
 Website: www.symmons.com ■ Email: customerservice@symmons.com

©2008 Symmons Industries, Inc. Printed in U.S.A. ■ 061708



SYMMONS®
the smart choice™