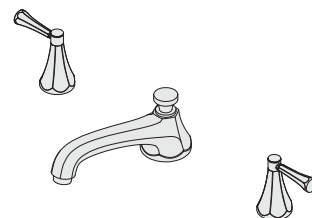


Location:

SYMMONS® Canterbury™



Roman Tub Faucet SRT-4570

Specification Submittal



Model Numbers

- SRT-4570 Roman Tub Faucet

Finish Options

Append appropriate -suffix to model number.

- STN Satin Nickel Finish
- Polished chrome (standard finish)

Options / Modifications

Append appropriate -suffix to model number.

Feature Highlights

- Two handle Roman Tub Faucet with quarter turn ceramic control components.
- 1/2 rigid copper tubing connections
- Cast brass spout
- Metal construction
- Standard finish is polished chrome

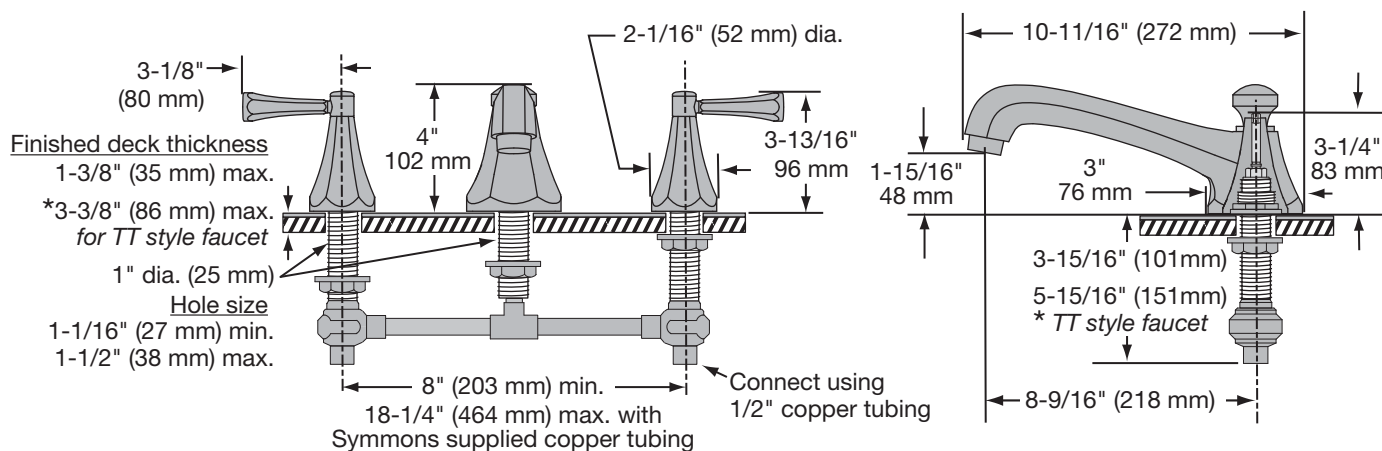
Standards / Certifications

ASME A112.18.1-2005/CSA B125.1-05

Warranty

- Limited Lifetime - to the original end purchaser in consumer installations.
- 5 years - for commercial installations

Dimensions Canterbury Roman Tub Faucet, SRT-4570



* Note: Use TT style faucet if deck thickness is 1-3/8" to 3-3/8" (35 mm - 86 mm),
Contact Symmons customer service to special order TT style faucet, model number SRT-4570-TT-BDY

Symmons Industries, Inc. ■ 31 Brooks Drive ■ Braintree, MA 02184
(800) 796-6667, (781) 848-2250 ■ Fax (800) 961-9621, (781) 664-1300
Website: www.symmons.com ■ Email: customerservice@symmons.com
©2009 Symmons Industries, Inc. Printed in U.S.A. ■ 051209

SYMMONS®
the smart choice™