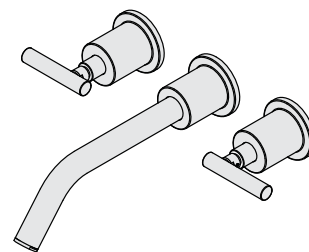


Location:

# SYMMONS® Sereno™

## Wall-Mounted Lavatory Faucet SWM-4310

### Specification Submittal



#### Model Numbers

- SWM-4310 Wall-Mounted Lavatory Faucet

#### Alternate Finish Options

Append appropriate -suffix to model number.

- STN Satin Nickel Finish
  - Polished Chrome (standard finish)

#### Options / Modifications

Append appropriate -suffix to model number.

- 1.5 1.5 gpm (5.7 gpm) flow restrictor (vandle resistant)
- 1.0 1.0 gpm (3.8 gpm) flow restrictor (vandle resistant)

#### Feature Highlights

- Two handle wall-mounted lavatory faucet with quarter turn ceramic control components.
- 8 inch mount
- Supply lines have 1/2 inch copper tubing
- Aerator with 2.2 gpm flow rate (8.3 L/min)
- Polished chrome finish

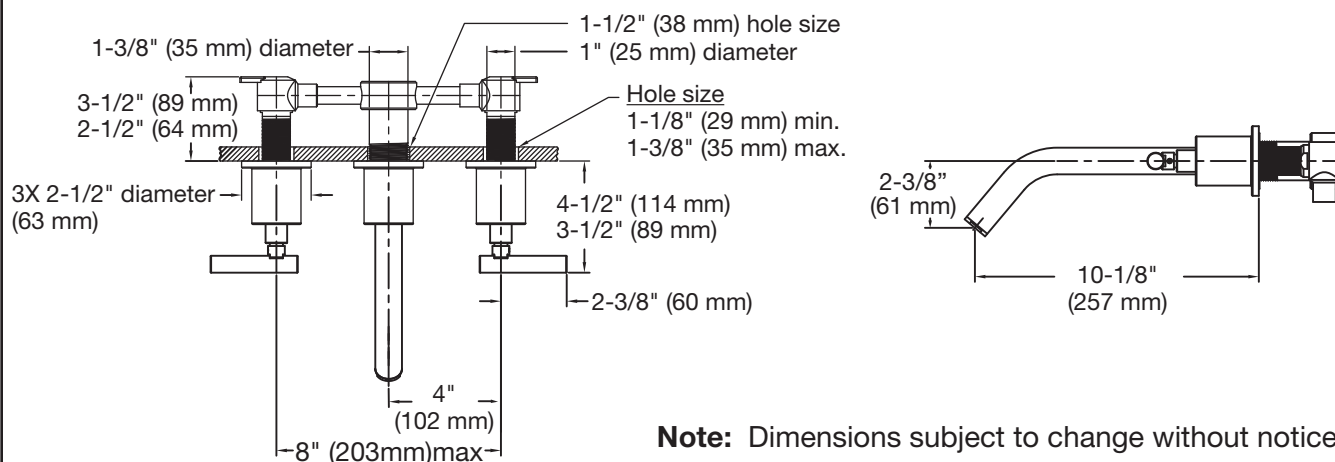
#### Standards / Certifications

ASME A112.18.1-2005/CSA B125.1-05

#### Warranty

- Limited Lifetime - to the original end purchaser in consumer installations.
- 5 years - for commercial installations

#### Dimensions Wall-Mounted Lavatory Faucet, SWM-4310



Symmons Industries, Inc. ■ 31 Brooks Drive ■ Braintree, MA 02184  
(800) 796-6667, (781) 848-2250 ■ Fax (800) 961-9621, (781) 664-1300  
Website: [www.symmons.com](http://www.symmons.com) ■ Email: [customerservice@symmons.com](mailto:customerservice@symmons.com)  
©2009 Symmons Industries, Inc. Printed in U.S.A. ■ 051209 ■ ZV-775

**SYMMONS®**  
the smart choice™