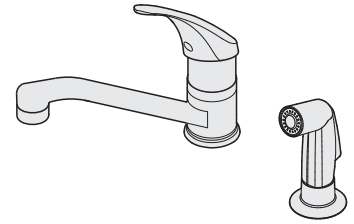


Location:



# Symmetrix®



## Kitchen Faucet S-23 Series


### Specification Submittal

Model S-23-2-SM



#### Feature Highlights

- Single lever kitchen faucet with red & blue indicators on handle
- Handle limit stops
- 8-3/4 inch swing spout with aerator
- Ceramic control components

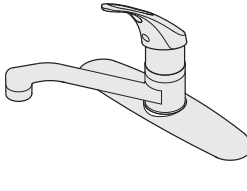

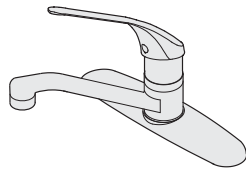

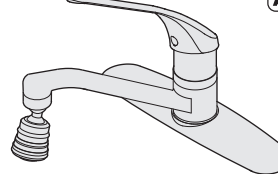

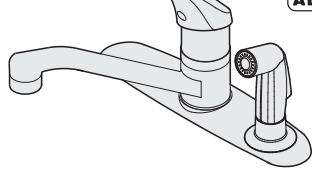

- Supply has 3/8 inch copper tubing, 8-inch centers
- Metal construction, polished chrome finish
- 2.2 gpm (8.3 L/min) standard flow rate 

#### Standards / Certifications

ASME A112.18.1-2005/CSA B125.1-05

#### Warranty

- Limited Lifetime - to the original end purchaser in consumer installations.
- 5 years - for commercial installations

S-23 series			
S-23-2-LP	S-23-2-W	S-23-1	S-23-3
 	 	 	 

#### Ordering Information

##### Model Numbers

Append appropriate -suffix to model number.

- S-23 Faucet only
- S-23-1 Faucet with swivel spray aerator in place of hose and spray
- S-23-2 Faucet with hose and spray
- S-23-3 Faucet with hose and spray mounted on escutcheon

##### Finish Options / Modifications

Append appropriate -suffix to model number.

- STN Radiance® satin finish\*
- Polished chrome (standard finish)



##### Handle Options / Modifications

Append appropriate -suffix to model number.

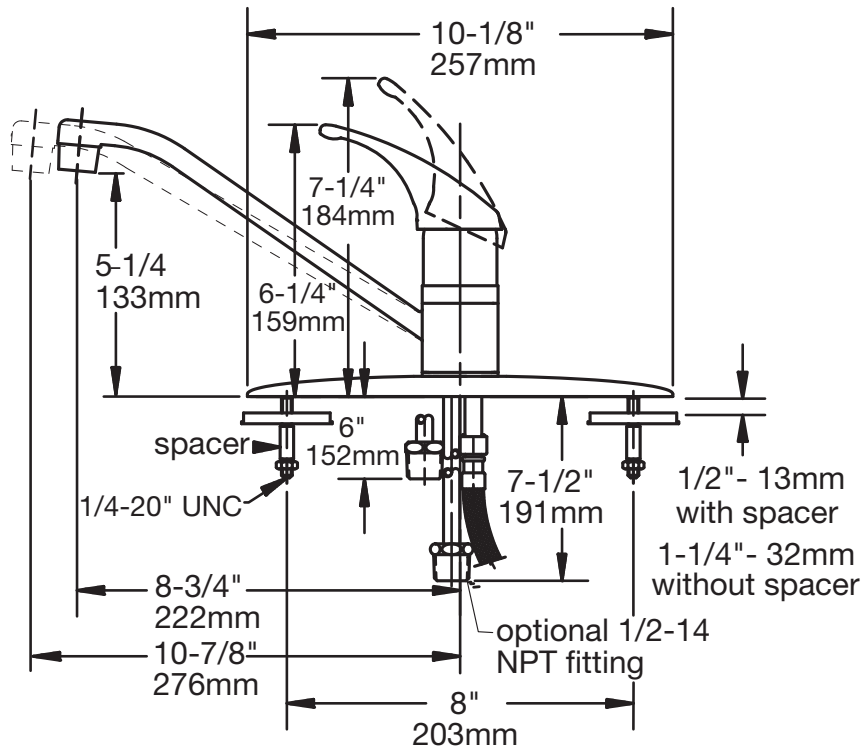
- LP Loop handle
- W Lever handle 6 inch (152mm) chrome only

##### Other Options

Append appropriate -suffix to model number.

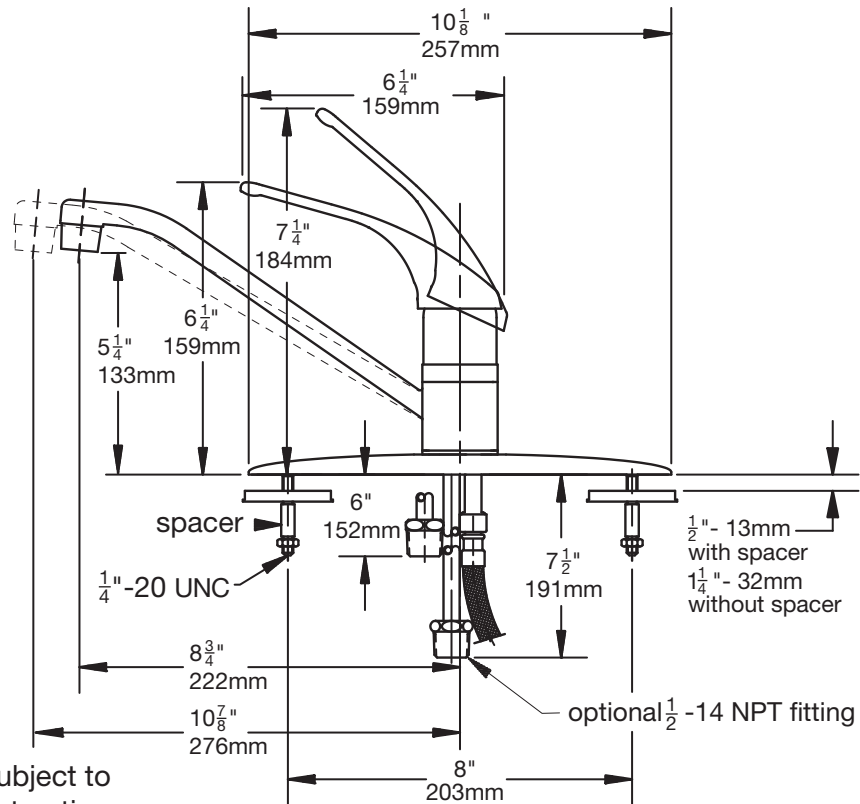
- LST 18 inch copper supply tubing
- BH 20 inch (508 mm) braided hose supplies (not available with -SM option)
- 10 10-7/8 inch swing spout with aerator
- IPS 1/2 inch IPS connections
-  -0.5 .5 gpm (1.9 L/min) flow restrictor, vandal resist.
-  -1.5 1.5 gpm (5.7 L/min) flow restrictor
- VP Vandal resistant, standard 2.2 gpm aerator
- NA Non-aerated, laminar flow outlet
- SM Single hole mounting (not available with -BH option)

### Dimensions *Symmetrix Kitchen Faucet, S-23*



**Note:** Dimensions subject to change without notice.

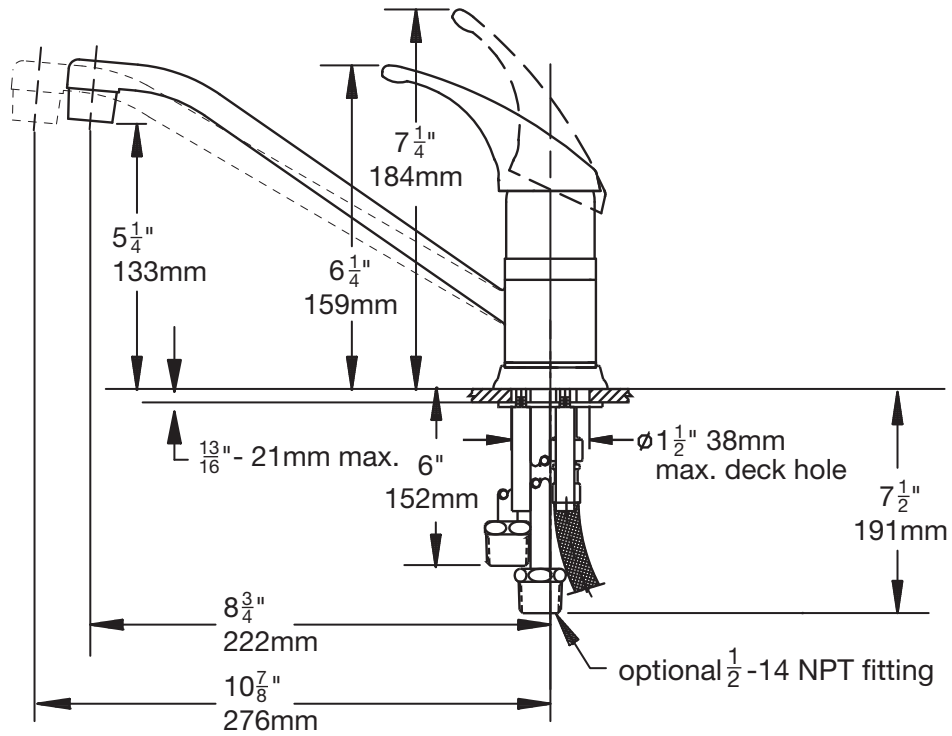
### Dimensions *Symmetrix Kitchen Faucet, S-23-W*



**Note:** Dimensions subject to change without notice.



## Dimensions *Symmetrix Kitchen Faucet, S-23-SM*



**Note:** Dimensions subject to change without notice.