

FEATURES

- Anti-scald valve
- Adjustable temperature limit stop
- Integral diverter and shut-off / check valve
- NPT or sweat connection

TSPVR

- Pressure balancing valve with diverter

TSPTR

- Pressure balancing valve without diverter

CODES/STANDARDS

- Meets or exceeds ASME A112.18.1/CSA B125.1, ASSE 1016
- Certifications: IAPMO(cUPC), State of Massachusetts, City of Los Angeles, and others
- Code Compliance: UPC, IPC, NSPC, NPC Canada, and others



PRODUCT SPECIFICATION

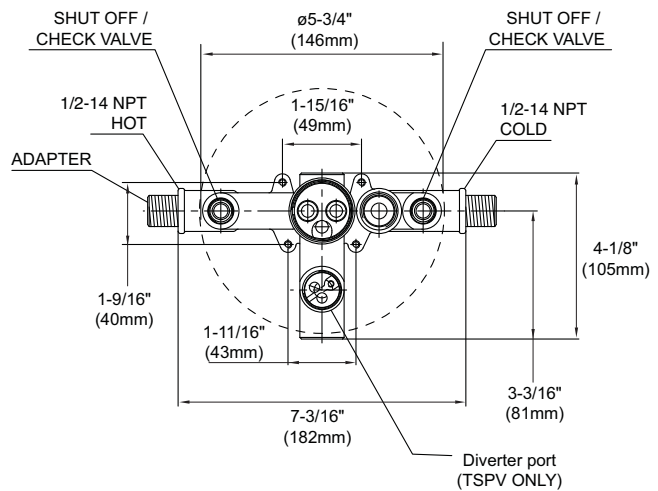
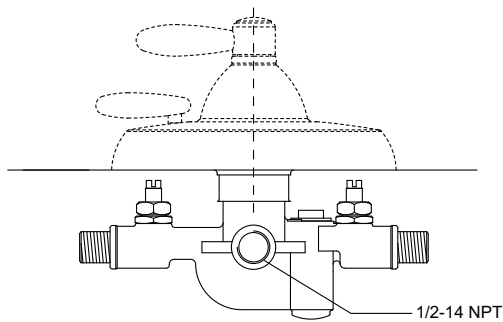
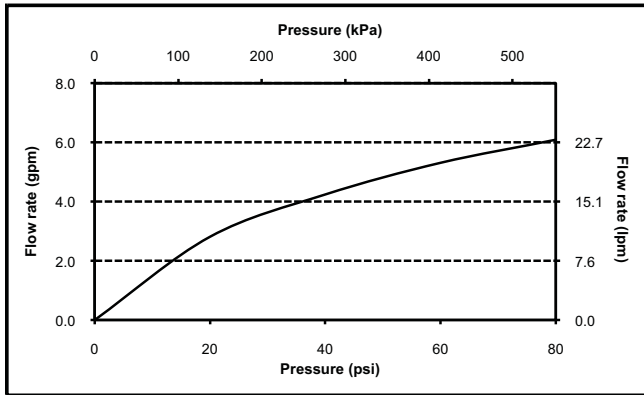
Pressure balancing valve shall have anti-scald feature and a adjustable temperature limit stop. Valve shall have integral diverter and shut-off / check valve.
Valve shall be TOTO Model TSPVR and with diverter.
Valve shall be TOTO Model TSPTR and without diverter.

TSPVR & TSPTR

Pressure Balancing Valve

SPECIFICATIONS

- Warranty Lifetime Limited Warranty (Residential Use)
One Year (Commercial Use)
- Material Brass
- Shipping Weight 6.4 lbs.
- Shipping Dimensions 9" L x 7-1/2" W x 8-1/2" H



TOTO

These dimensions and specifications are subject to change without notice