

TOTO® MS854114E(G)/MS853113E

Eco UltraMax® One-Piece Toilet, 1.28GPF

FEATURES

- E-Max® flushing system, low consumption (1.28GPF/4.8LPF)
- Optional SanaGloss® ceramic glaze - SanaGloss glaze prevents debris, mold and bacteria from sticking to ceramic surfaces, leading to fewer chemicals and less water in cleaning.
- One-piece decorative toilet with low-profile tank
- Elongated front bowl with SoftClose® seat (SS114) or round front bowl with SoftClose® seat (SS113)
- 12" Rough-in
- Chrome trip lever

MODELS

- MS854114EG
Elongated bowl with SanaGloss and SoftClose seat (SS114)
- MS854114E
Elongated bowl with SoftClose seat (SS114)
- MS85311E
Round bowl with SoftClose seat (SS113)

COLORS/FINISHES

- Standard
 - #01 Cotton
 - #03 Bone
 - #11 Colonial White
 - #12 Sedona Beige

PRODUCT SPECIFICATION

The one-piece low consumption E-Max flushing system toilet shall be 1.28GPF/4.8LPF. Toilet shall be of elongated front bowl (MS854) or round front bowl (MS853) with a low-profile tank and SoftClose seat. Toilet shall have chrome trip lever. Toilet shall be TOTO Model MS85_____.



SanaGloss



CODES/STANDARDS

- Meets and exceeds ASME A112.19.2/CSA B45.1
- Certifications: IAPMO(cUPC), EPA Watersense, State of Massachusetts, City of Los Angeles, and others
- Code compliance: UPC, IPC, NSPC, NPC Canada, and others
- Legislative compliance: California AB715, California Green Building Code, City of Los Angeles Water Efficiency Ordinance



MS854114E(G)/MS853113E

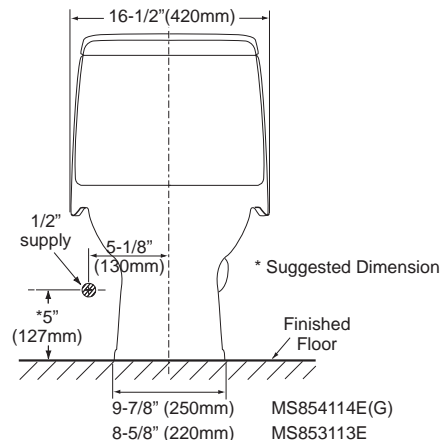
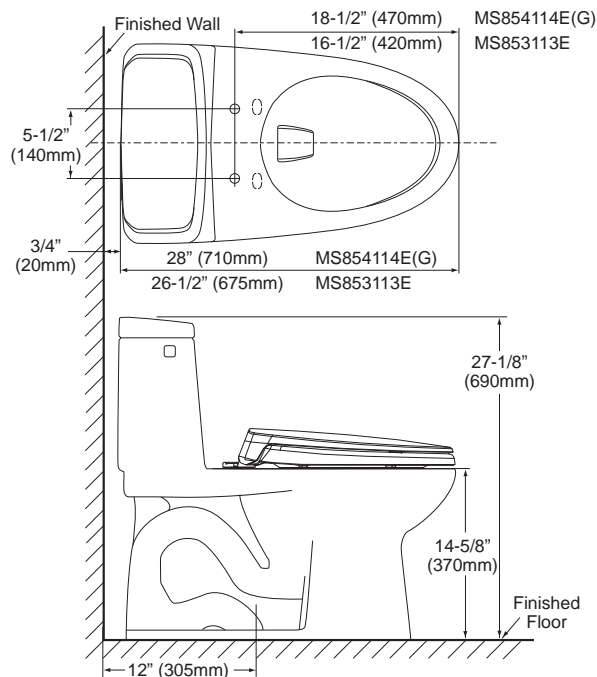
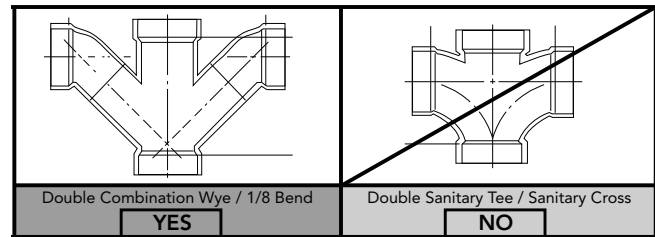
Eco UltraMax® One-Piece Toilet, 1.28GPF

SPECIFICATIONS

- Water Use 1.28 GPF/4.8 LPF
- Flush System Gravity Feed - E-Max
- Min. Water Pressure 8 psi (static)
- Water Surface 10-1/4" x 8-1/4"
- Trap Diameter 2-1/8"
- Rough-in 12"
- Trap Seal 2-3/8"
- Warranty One Year Limited Warranty
- Material Vitreous china
- Shipping Weight MS854114E(G) 93 lbs.
MS853113E 91 lbs.
- Shipping Dimensions 30-3/4" L x 18-1/8" W
x 27-1/8" H

INSTALLATION NOTES

Back-to-Back Toilet Installations:
TOTO recommends the use of a nationally listed, double sanitary tee-wye only, in vertical waste stacks, in accordance with the stipulations noted in the majority of nationally recognized plumbing codes.



TOTO

These dimensions and specifications are subject to change without notice