

Aquia® Close Coupled Toilet, 1.6GPF & 0.9GPF

FEATURES

- Dual-Max® flushing system, low consumption (1.6GPF/6.0LPF & 0.9GPF/3.4LPF)
- Elongated bowl
- Universal Height
- Close coupled, elongated front bowl and tank set, less toilet seat
- Chrome push-button
- 10" rough-in

MODELS

- CST412MF.10

COMPONENTS

- CT412F.10 - Elongated Front Bowl, 10" rough-in
- ST412M - Tank and Cover only
- SS204 SoftClose® seat (sold separately)
- SS114 SoftClose® seat (sold separately)

COLORS/FINISHES

- Standard
#01 Cotton

PRODUCT SPECIFICATION

The two-piece, universal height, low consumption Dual-Max flushing system toilet shall be 1.6GPF/0.9GPF. Toilet shall have 10" rough-in. Toilet shall have high-profile tank, elongated front bowl and chrome push-button. Toilet shall be TOTO Model CST412MF.10#01.



DUALMAX®
FLUSHING SYSTEM BY TOTO

CODES/STANDARDS

- Meets or exceeds ASME A112.19.2/CSA B45.1, ASME A112.19.14
- Certifications: IAPMO(cUPC), EPA Watersense, State of Massachusetts, City of Los Angeles, and others
- Code compliance: UPC, IPC, NSPC, NPC Canada, and others
- Legislative compliance: California AB715, California Green Building Code, City of Los Angeles Water Efficiency Ordinance
- ADA compliant
(center mount actuator/trip lever is approach side neutral*)
* consult with your local jurisdiction for special requirements



CST412MF.10

Aquia® Close Coupled Toilet, 1.6GPF & 0.9 GPF

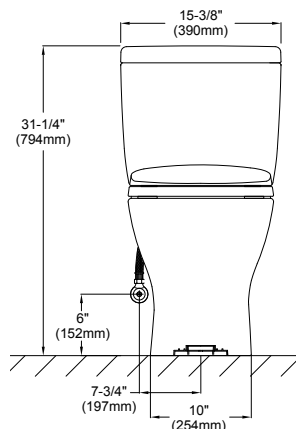
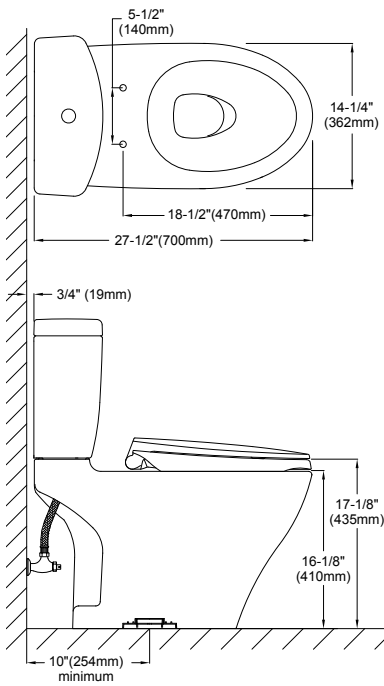
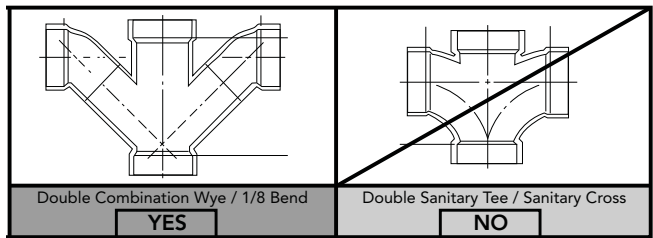
SPECIFICATIONS

- Water Use 1.6 GPF & 0.9GPF (6.0 LPF & 3.4LPF)
- Flush System Dual-Max®
- Min. Water Pressure 8 psi (flowing)
- Water Surface 6" x 4-1/2"
- Trap Diameter 2-1/8"
- Rough-in 10"
- Trap Seal 2-1/8"
- Warranty One Year Limited Warranty
- Material Vitreous china
- Shipping Weight CT412F.10 - 78lbs
ST412M - 30lbs
- Shipping Dimensions CT412F.10
30-3/4" L x 17-3/8" W
x 20-1/2" H

ST412M
17-1/4" L x 7-7/8" W
x 17-1/2" H

INSTALLATION NOTES

Back-to-Back Toilet Installations:
TOTO recommends the use of a nationally listed, double sanitary tee-wye only, in vertical waste stacks, in accordance with the stipulations noted in the majority of nationally recognized plumbing codes.



TOTO

These dimensions and specifications are subject to change without notice