

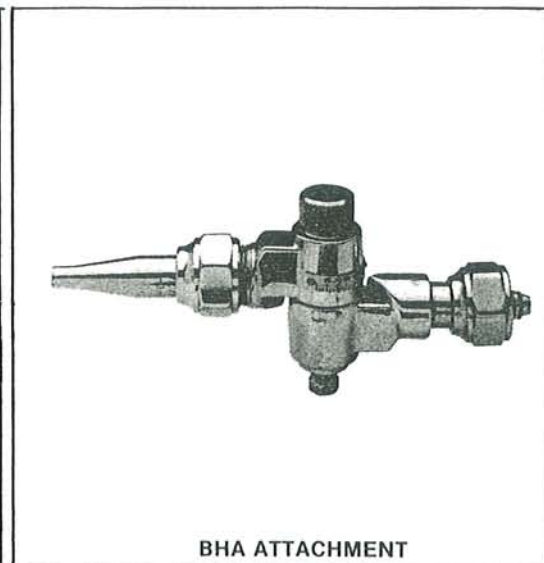
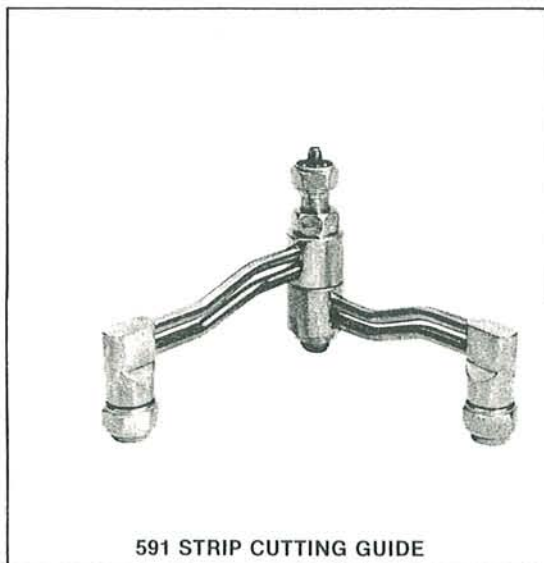
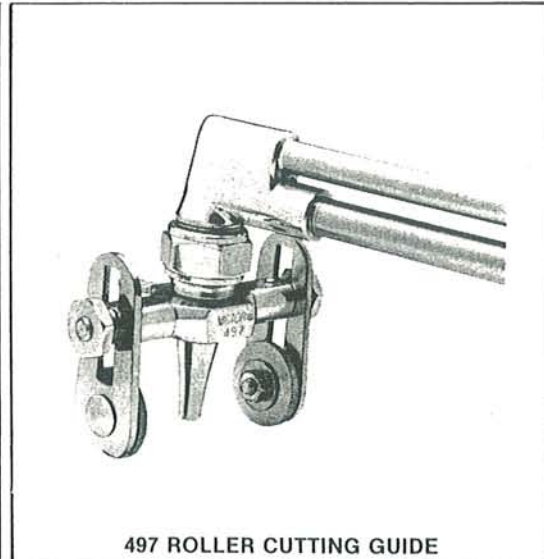
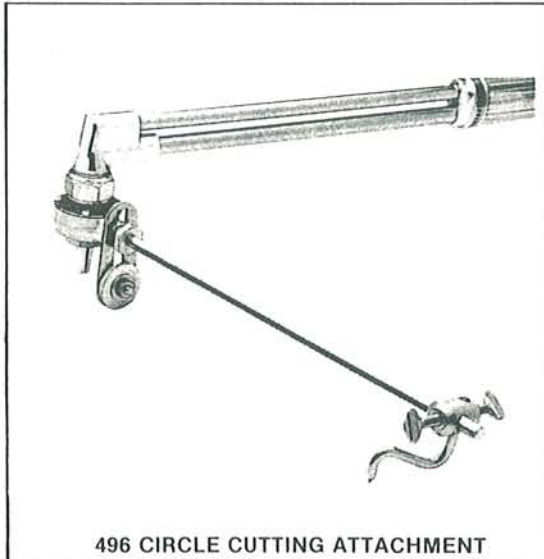
# VICTOR®

496 CIRCLE CUTTING ATTACHMENT  
497 ROLLER GUIDE 591 STRIP CUTTER  
BHA CUTTING ATTACHMENT

PARTS AND SERVICE BULLETIN

FORM NO. 56-670

EFFECTIVE 6-87

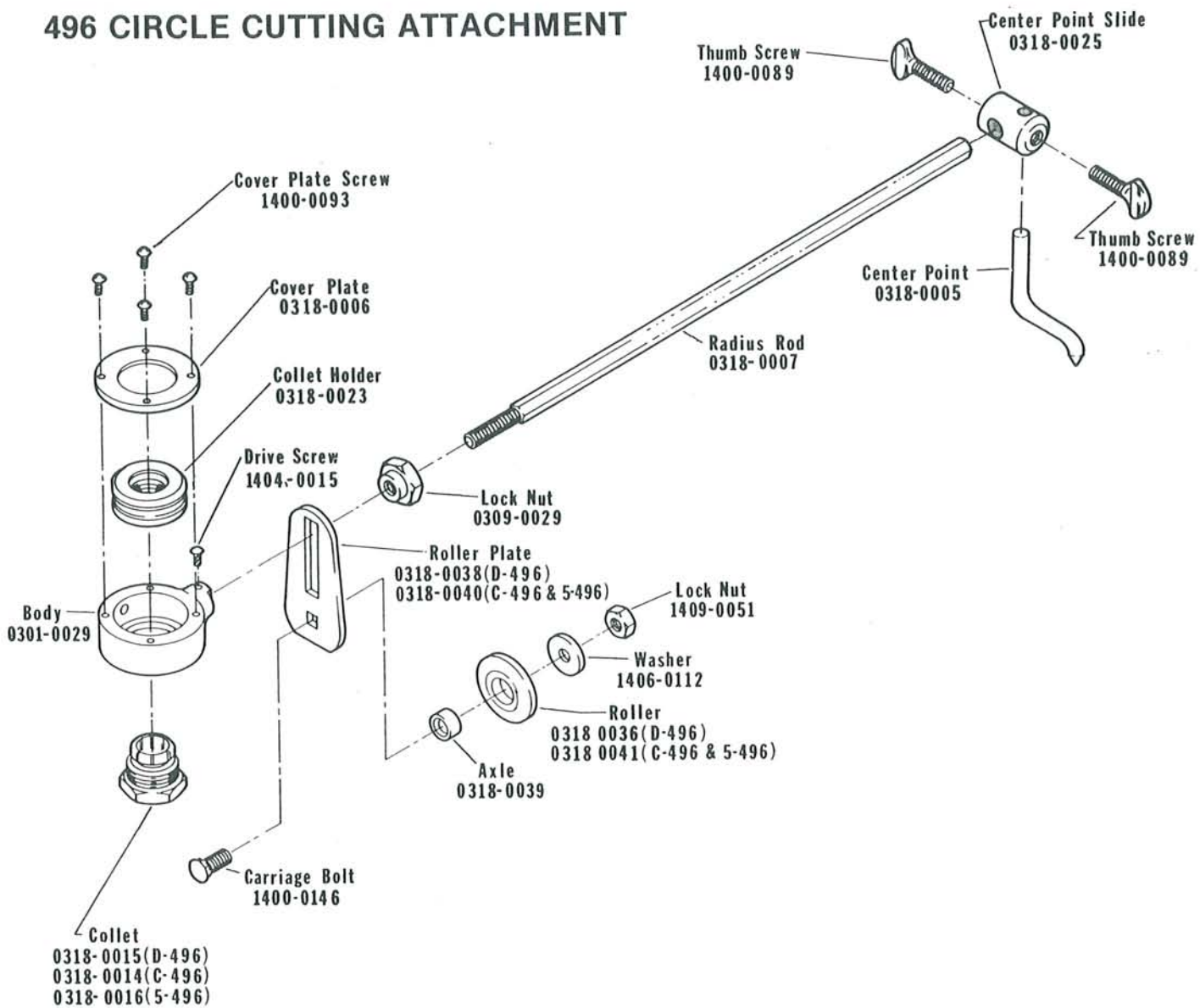


## WARNING

Apparatus improperly operated, maintained or repaired can be dangerous. Some parts and accessories manufactured by others may fit VICTOR apparatus but not conform to VICTOR'S exacting standards. For your own protection, specify and use only VICTOR-made parts and accessories with your VICTOR apparatus.

Service or repair of VICTOR apparatus should be performed only by a qualified technician. Improper service or repair, or modification of the product could result in damage to the product or injury to the operator.

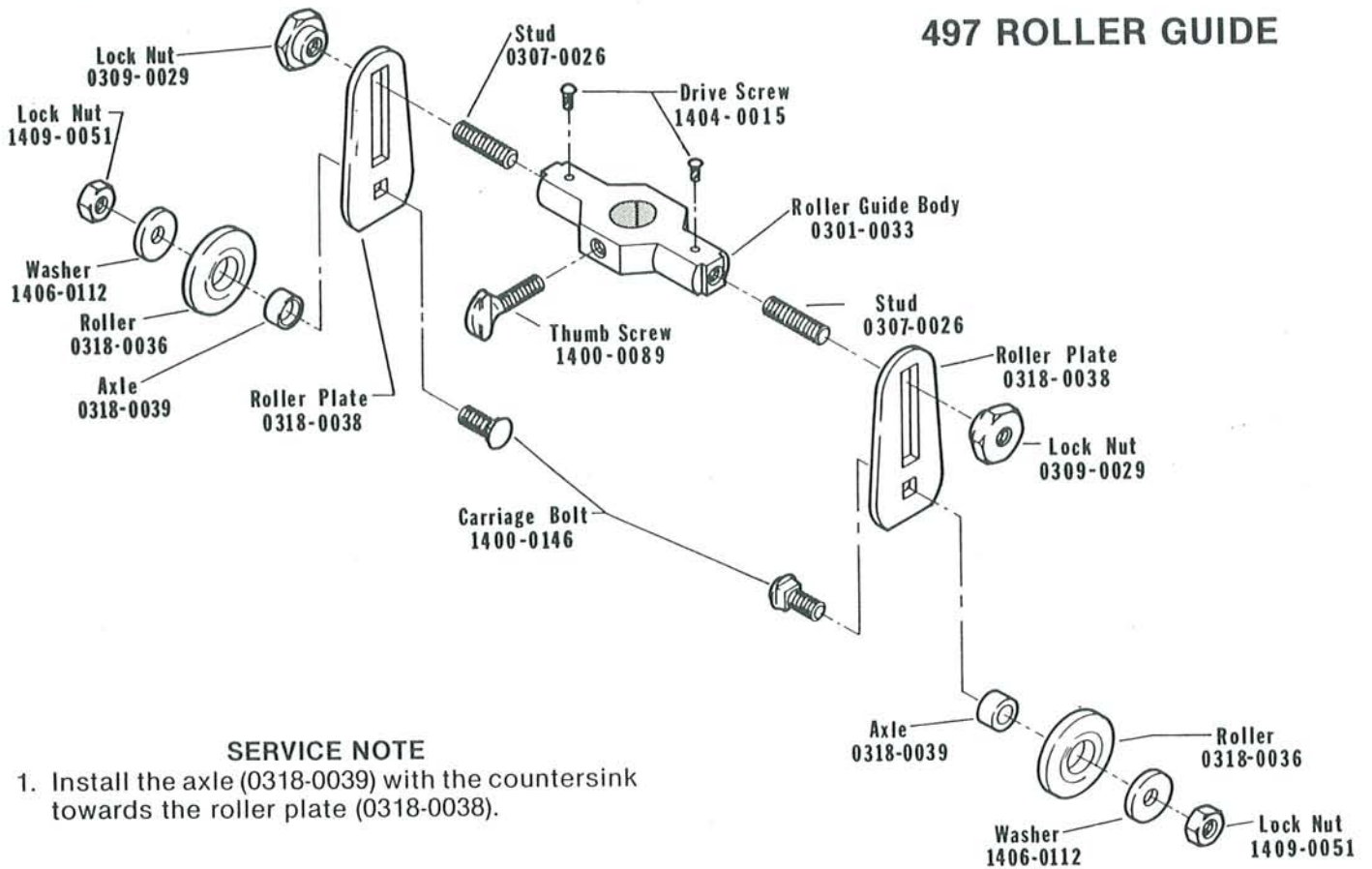
# 496 CIRCLE CUTTING ATTACHMENT



## SERVICE NOTE

1. Install the axle (0318-0039) with the countersink towards the roller plate (0318-0038).

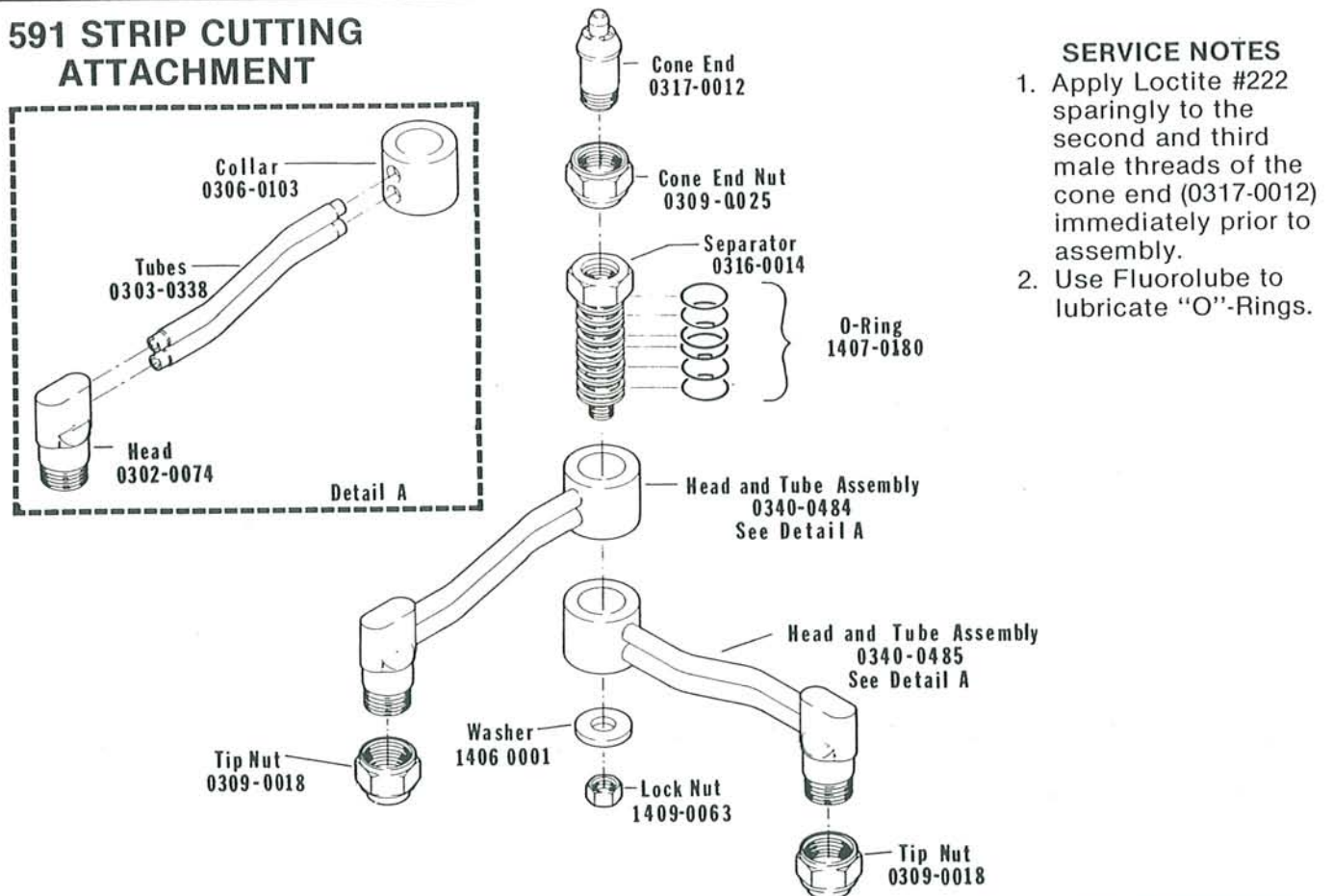
## 497 ROLLER GUIDE



### SERVICE NOTE

1. Install the axle (0318-0039) with the countersink towards the roller plate (0318-0038).

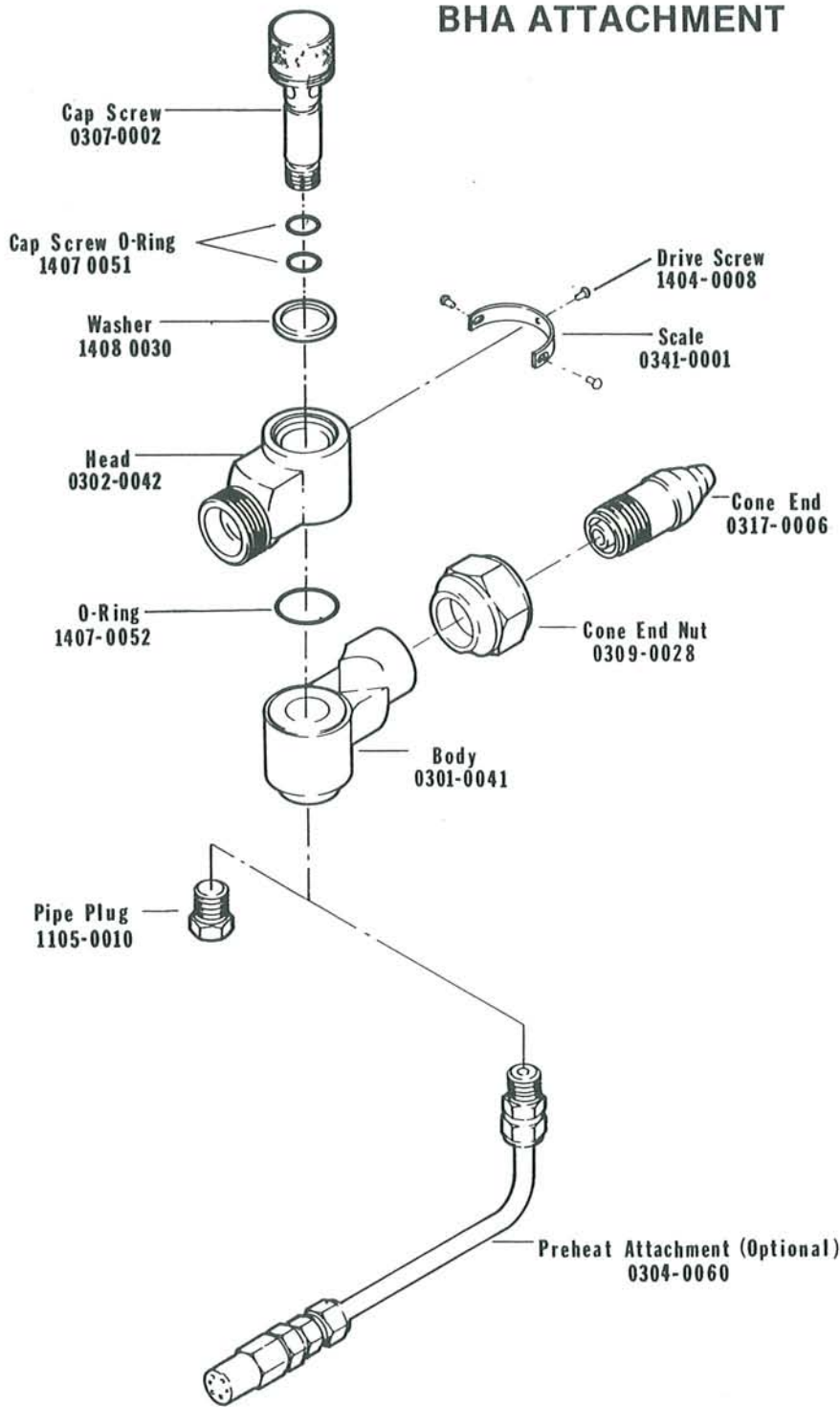
## 591 STRIP CUTTING ATTACHMENT



### SERVICE NOTES

1. Apply Loctite #222 sparingly to the second and third male threads of the cone end (0317-0012) immediately prior to assembly.
2. Use Fluorolube to lubricate "O"-Rings.

## BHA ATTACHMENT



### SERVICE NOTES

1. Apply Loctite #222 sparingly to the second and third male threads of the cone end (0317-0006) immediately prior to assembly.
2. Use Teflon tape to seal the pipe plug (1105-0010) and preheat attachment (0304-0060).
3. Use Fluorolube to lubricate "O"-Rings.
4. Use repair tool RT108 (1420-0166) to remove cone end (0317-0006).

WORLD HEADQUARTERS: Suite 300, 16052 Swingley Ridge Road • St. Louis, MO 63017 • 636-728-3000



**VICTOR**® **VICTOR**®  
SPECIALTY PRODUCTS

**CUSTOMER CARE: 800-426-1888 • FAX 800-535-0557**  
**INTERNATIONAL CUSTOMER CARE: 905-827-9777 • FAX 905-827-9797**  
**U.S. AUTOMATION CUSTOMER CARE: 866-279-2628 • FAX 316-941-4491**

International Customer Care  
Oakville, Ontario, Canada  
Ph: (1) 905-827-9777  
Fax: (1) 905-827-9797

Thermadyne Canada  
Oakville, Ontario Canada  
Ph: (1) 905-827-4515  
Fax: (1) 905-827-3648

Thermadyne Chile  
Santiago, Chile  
Ph: (56) 2-557-2465  
Fax: (56) 2-557-5349

Thermadyne Victor Brasil  
Rio de Janeiro, Brazil  
Ph: (55) 21-2-485-8990  
Fax: (55) 21-2-485-8735

Thermadyne Europe  
Chorley, England  
Ph: (44) 1257-261755  
Fax: (44) 1257-224800

Thermadyne China  
Shanghai, China  
Ph: (86) 21-6280-1271 (or 1273)  
Fax: (86) 21-3226-0955

Thermadyne Japan  
Osaka, Japan  
Ph: (81) 6-4809-8411  
Fax: (81) 6-4809-8412

Thermadyne Asia Sdn. Bhd.  
Kuala Lumpur, Malaysia  
Ph: (603) 6092-2988  
Fax: (603) 6092-1085

Thermadyne Asia/Pacific Pte. Ltd.  
Singapore  
Ph: (65) 6832-8066  
Fax: (65) 6763-5812

P.T. Thermadyne Utama Indonesia  
Cikarang, Indonesia  
Ph: (62) 21-8983-0011 (or 0012)  
Fax: (62) 21-893-6067

Cigweld Australia  
Melbourne, Australia  
Ph: (61) 3-9474-7400  
Fax: (61) 3-9474-7510