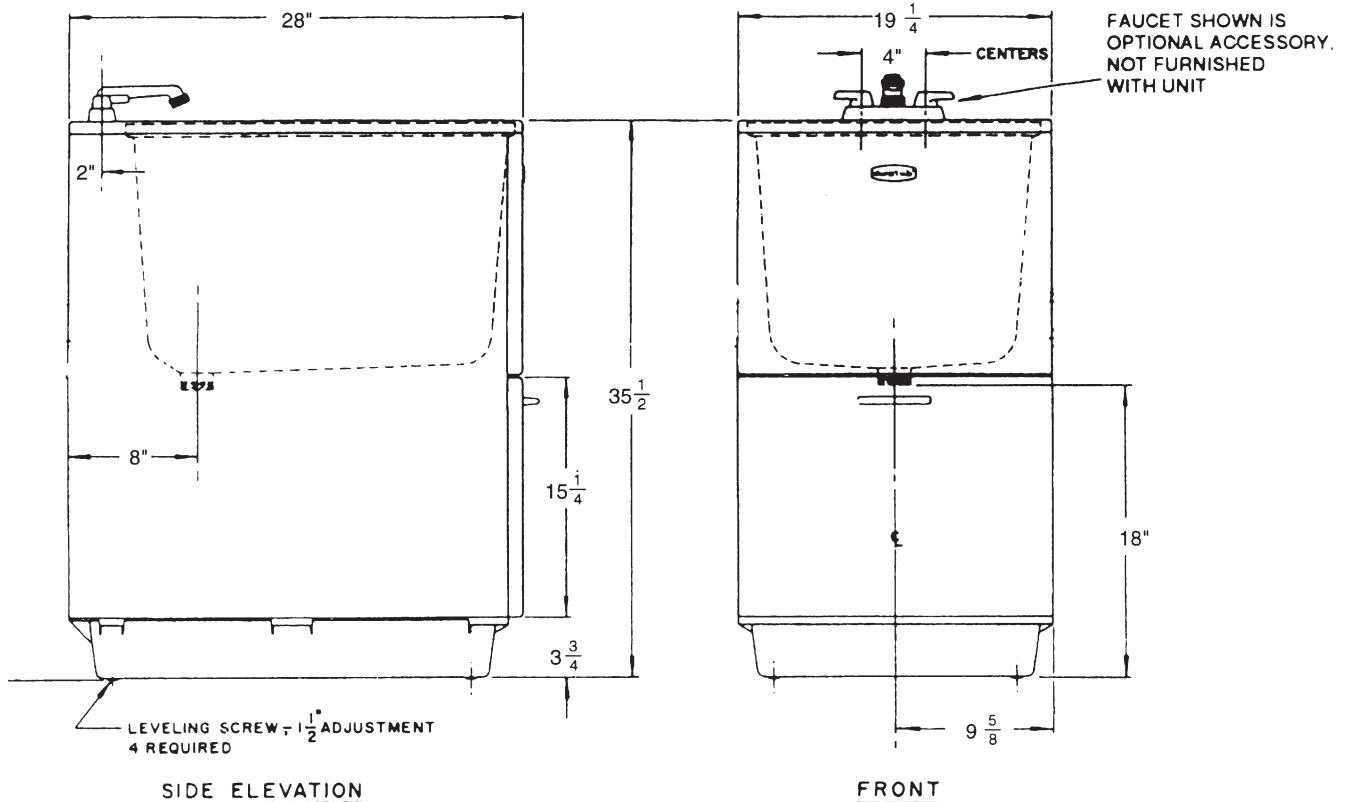


MODEL NO. 91/91AL



CABINET STYLE • SINGLE LAUNDRY TUB

SPECIFICATIONS



UNPACKING:

Close top flaps and turn carton upside down and open bottom flaps. Tub cover (1) is beneath cardboard along side panel and should be removed through opening of base. Leave bottom flaps open and turn tub right side up. Remove corner pieces and lift carton from tub.

INSTALLATION:

CAUTION

Do not subject tub or cabinet to direct torch flame while making plumbing connections. Check local plumbing codes for faucet and drain connections.

Refer to the faucet owners manual for installing and connecting the faucet. If the cabinet will be placed flush against the wall use flexible supply pipes or galvanized pipe. There will not be enough space to solder copper piping without damaging the tub or cabinet.

Mount the faucet on the tub deck. Bring the supply lines from the faucet through the hole on the side (either right or left) of the cabinet. Move the cabinet into position and complete the faucet connection.

Level the base before tightening. (See Fig. 1)

Complete the installation by connecting drain.

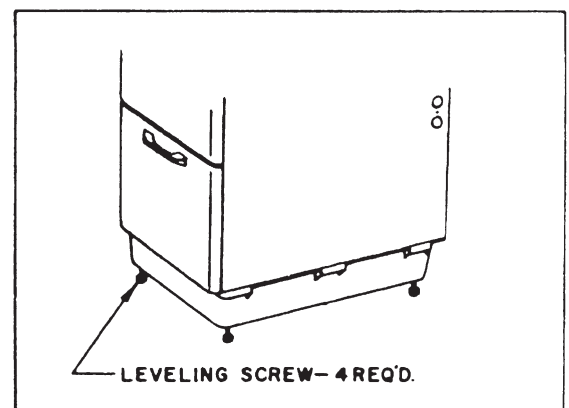
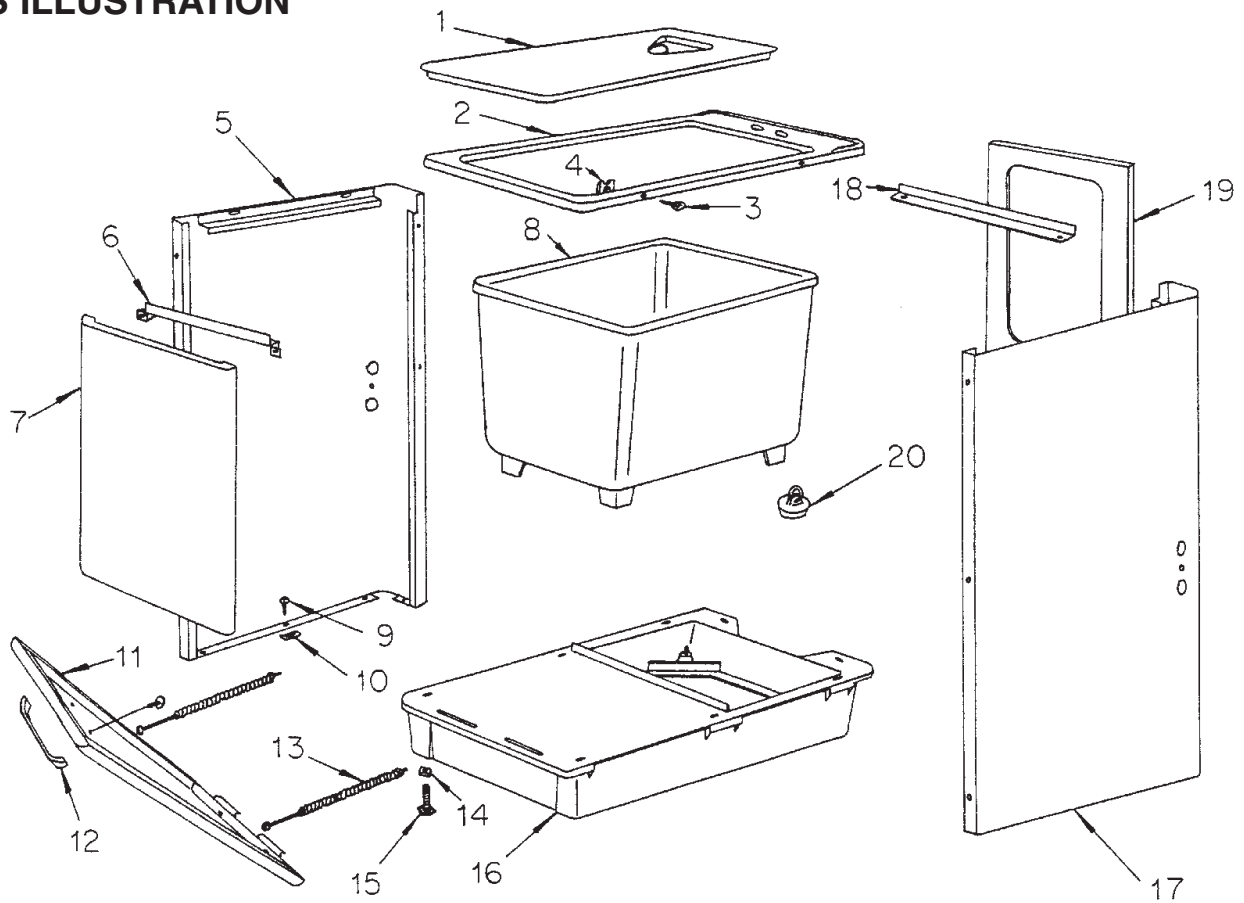


FIG. 1

PARTS ILLUSTRATION



PARTS LIST

| KEY NUMBER | PART NO. | | | DESCRIPTION |
|------------|---------------|----------------|-----------------|------------------------------------------------------|
| | WHITE CABINET | ALMOND CABINET | BISCUIT CABINET | |
| 1 | 92.200 | 92.206 | 92.201 | Cover-Molded |
| 2 | 91.201 | 91.202 | 91.207 | Rim |
| 3 | 91.818 | 91.818 | 91.818 | Oval Head Screw, No. 8a x 1/2" (6 Required) |
| 4 | 91.807 | 91.807 | 91.807 | Speed Nut (10 Required) |
| 5 | 95.302 | 95.326 | 95.312 | Side Panel, Left Hand |
| 6 | 95.306 | 95.306 | 95.306 | Top Front Panel Brace |
| 7 | 95.308 | 95.327 | 95.314 | Top Front Panel |
| 8 | 91.101 | 91.101 | 91.101 | Co-Polymer Tub |
| 9 | 91.804 | 91.804 | 91.804 | Slotted Round Head Screw No. 10 x 1/2" (18 Required) |
| 10 | 91.805 | 91.805 | 91.805 | Speed Nut (14 Required) |
| 11 | 95.310 | 95.324 | 95.313 | Door Panel Assembly |
| 12 | 95.803 | 95.804 | 95.805 | Door Handle with Screws |
| 13 | 95.600 | 95.600 | 95.600 | Retainer Spring (2 Required) |
| 14 | 91.801 | 91.801 | 91.801 | Nut, 1/4"-20 (4 Required) |
| 15 | 10.207 | 10.207 | 10.207 | Leveling Screw, 1/4"-20 x 1-1/2" (4 Required) |
| 16 | 93.404 | 93.402 | 93.406 | Base Assembly |
| 17 | 95.301 | 95.325 | 95.311 | Side Panel, Right Hand |
| 18 | 91.307 | 91.307 | 91.307 | Rear Angle Tub Support |
| 19 | 91.309 | 91.309 | 91.309 | Back Panel |
| 20 | 23.303 | 23.303 | 23.303 | Stopper, 1-1/2" Diameter |

E.L. MUSTEE & SONS, INC.

5431 West 164th Street • Brook Park, Ohio 44142

SI-74 (11•06)