

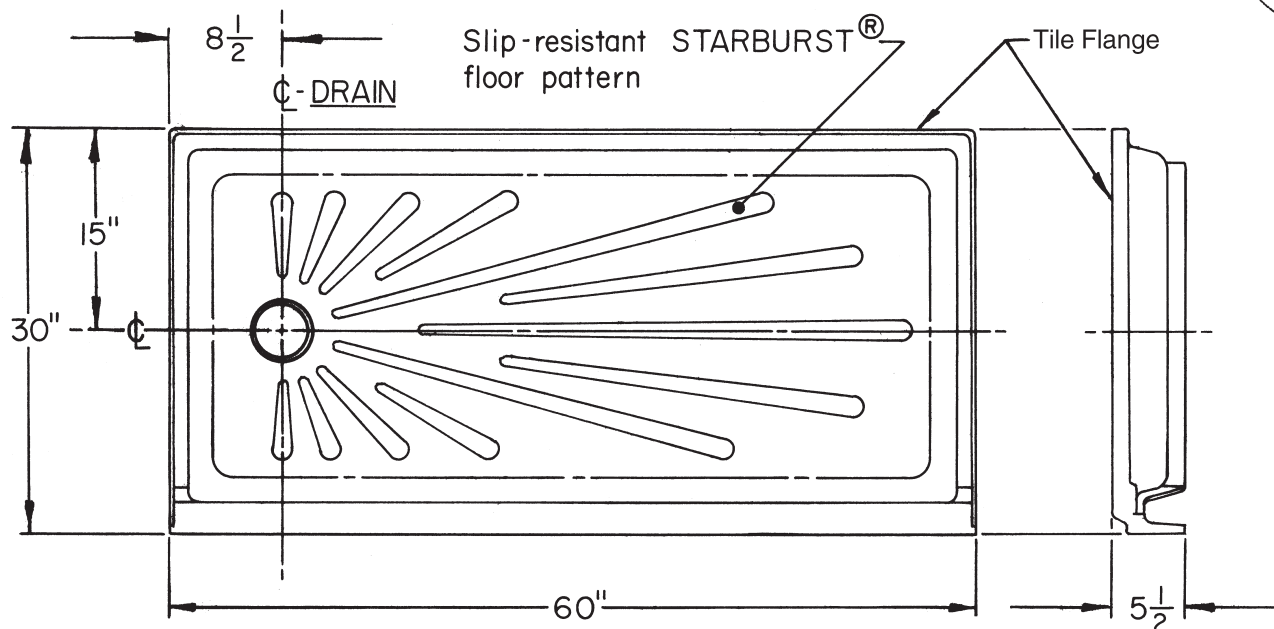
MUSTEE

SHOWERTUB™

U.S. PATENT PENDING

INSTALLATION INSTRUCTIONS

“ROUGH-IN” DIMENSIONS



• FITS INTO STANDARD 5 FT. BATHTUB ALCOVE •

IMPORTANT NOTES:

- We suggest that shower compartments be equipped with support handrails that comply with ANSI-A117.1-1986 Consumer Safety requirements
- **SHOWERTUB™ IS NOT TO BE INSTALLED IN FRONT OF DRYWALL!**
- Thoroughly **READ** and **UNDERSTAND** instructions before beginning installation of your MUSTEE ShowerTub™

CAREGIVER®/SHOWERTUB™ INSTALLATION

The ShowerTub™ is designed to be drained by 2" nominal pipe, connected to a trapped/vented sanitary waste line. Refer to "Rough-In Dimensions" for proper placement and drain center lines.

Two MUSTEE Drain Assemblies are available for this installation:

PN-42.317A for sch.40 ABS, PVC or Iron pipe with drain seal connection

PN-42.304A for sch.40 PVC solvent welded connection

Both drain assemblies are IAPMO®/UPC® listed, file no. 1635.

If the ShowerTub™ is replacing an existing bathtub with 1-1/2" pipe connection, you have two (2) options --- the first being to increase the existing lines to 2" DWV or soil pipe, --- the second being to use the MUSTEE ShowerTub™ 1-1/2" Drain Kit Part No. 60.300. Before choosing either option, check to be sure that you are in full compliance with local code regulations.



Quality Plumbing Products

E.L. MUSTEE & SONS, INC.

5431 West 164th Street • Brook Park, Ohio 44142

SI-199 (5•06)

The size and style of drain must be determined before installation of the ShowerTub™ can begin. Both 2" Drain Assemblies require a 5" (inch) square hole in the sub-floor or slab, centered around the sanitary waste pipe.

The drain body for either PN 42.317A or PN 42.304A must be assembled to the ShowerTub™ before installing into the alcove (the drain body is secured with a locknut on the underside of the floor area.) Be sure to use all washers that are supplied with the drain assembly, refer to "TYPICAL DRAIN CONNECTION" for reference. The MUSTEE ShowerTub™ 1-1/2" Drain Kit may be installed after placement into the alcove area (with access to the underside of the unit). Complete installation instructions are furnished with kit.

NEW CONSTRUCTION

The ShowerTub™ **must not** be installed on exposed floor joists, if there is no sub-floor at the desired location, a one piece section of CDX sheathing - minimum 3/4" thick, must be securely fastened to the floor joists so that the ShowerTub™ is fully supported. HINT: To reduce creaking or squeaks we suggest that "deck" type screws (3" min. length) along with adhesive be used to secure the sub-floor to the floor joists.

REMODELING

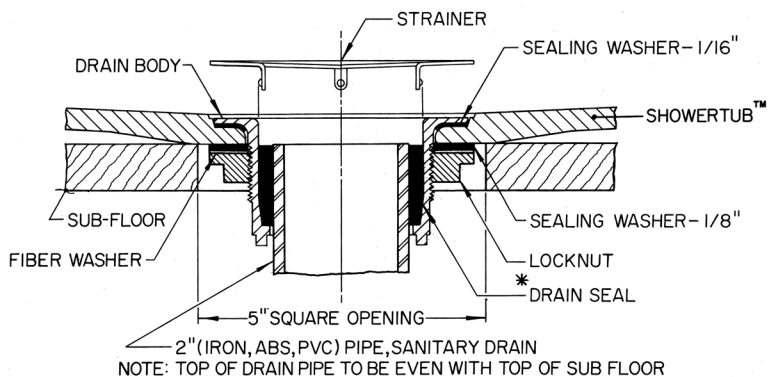
Remove existing bathtub from alcove, inspect condition of sub-floor for damage, if necessary, replace existing sub-floor with CDX sheathing as described under NEW CONSTRUCTION.

- A. For either NEW CONSTRUCTION or REMODELING, while a mortar bed is not required for structural support, a thin layer will aid in the leveling of the ShowerTub™ and help ensure that all ribs are fully supported.
- B. If you choose not to use mortar, a layer of 30 lb. roofing felt (or equivalent) should be used to compensate for any minor inconsistencies in the sub-floor or slab.
- C. Set ShowerTub™ into alcove, making sure that it is properly level. Check level on to edge of tile flange only - all other surfaces are tapered.
- D. Make final drain and supply connections as previously determined.

TYPICAL DRAIN CONNECTION

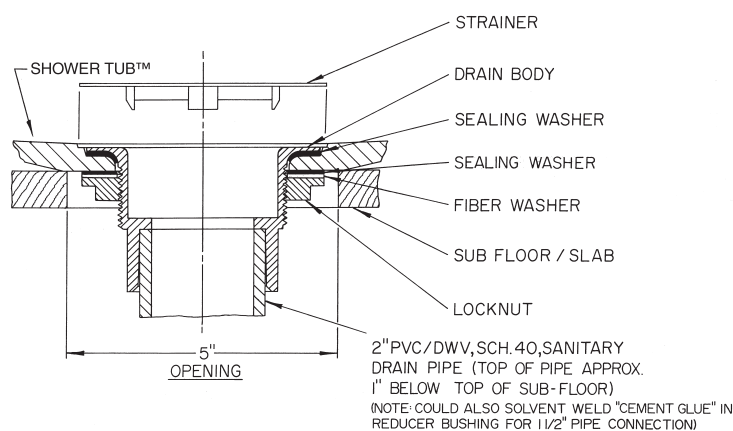
CAUTION: DO NOT USE ANY PUTTY OR THREAD SEALING COMPOUND UNDER FLANGE OR ON THREADS OF DRAIN BODY - FAILURE AND LEAKAGE MAY RESULT!! DO NOT OVERTIGHTEN LOCKNUT - HAND TIGHTEN, THEN WRENCH AN ADDITIONAL 3/4 TURN - MAXIMUM.

42.317A (2" DRAIN W/SEAL)



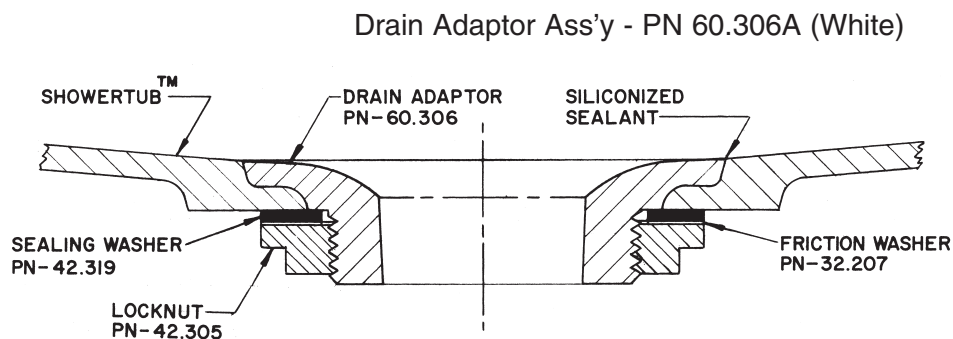
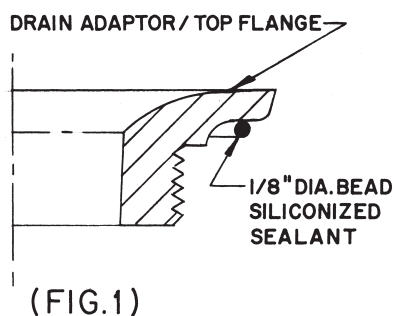
*AN OPTIONAL DRAIN SEAL:
 PN 42.320, IS AVAILABLE FOR 2" COPPER (DWV)
 PN 42.321, IS AVAILABLE FOR 2" SOIL PIPE (SW) NO-HUB
 (SOLD SEPARATELY)

42.304A (2" SOLVENT WELD)



To use the MUSTEE MODEL NO. 3060 ShowerTub™ with existing 1-1/2" plumbing, we have designed an adaptor that will reduce the standard drain hole outlet to accept Part No. 60.300 "ShowerTub™ Drain Kit". Proceed as follows:

1. Stand and secure the ShowerTub™ on end with drain hole up - this will make installation of the Drain Adaptor - PN 60.306 easier.
2. Apply a small bead (approximately 1/8" diameter) of siliconized sealant (not furnished) to the underside of the drain adaptor top flange, as shown in (FIG. 1).
3. Insert adaptor into drain hole, holding adaptor from moving (from the underside of the ShowerTub™) first apply the 1/8" Sealing Washer - PN 42.319 followed by the Friction Washer - PN 32.207 and secure in place with Locknut - PN 42.305.
4. **DO NOT** overtighten locknut - pull up snug then wrench an additional 1/4 turn. Wipe away any excess sealant that seeps out around the top flange of the adaptor on the inside of the ShowerTub™.
5. Attach Part No. 60.300 ShowerTub™ Drain Kit to complete installation.



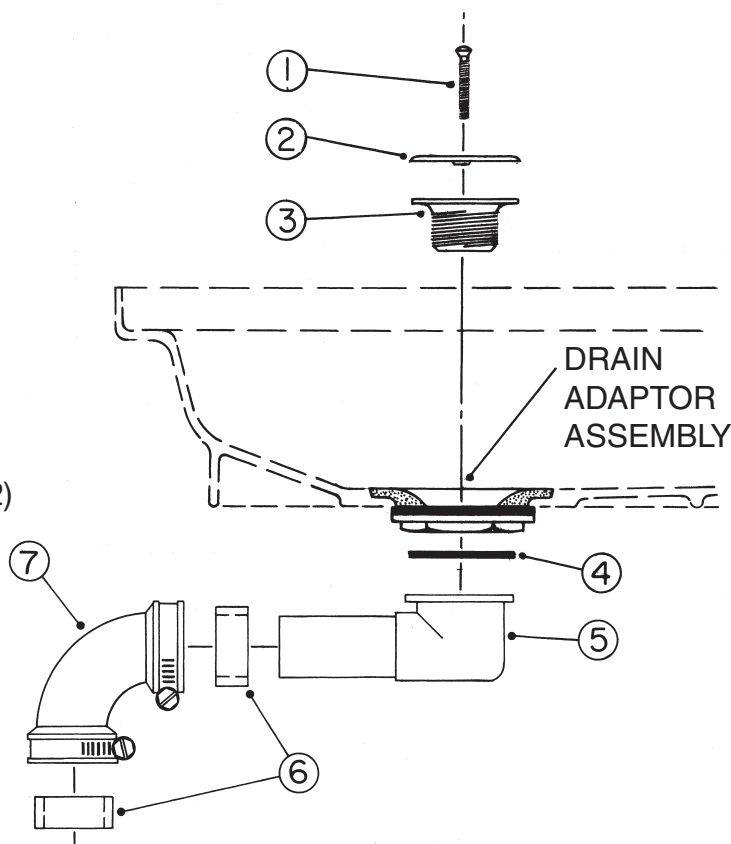
Ref: Drain Adaptor Ass'y - PN 60.307A (Bone)

U.S. PATENT PENDING

ShowerTub™ Drain Kit

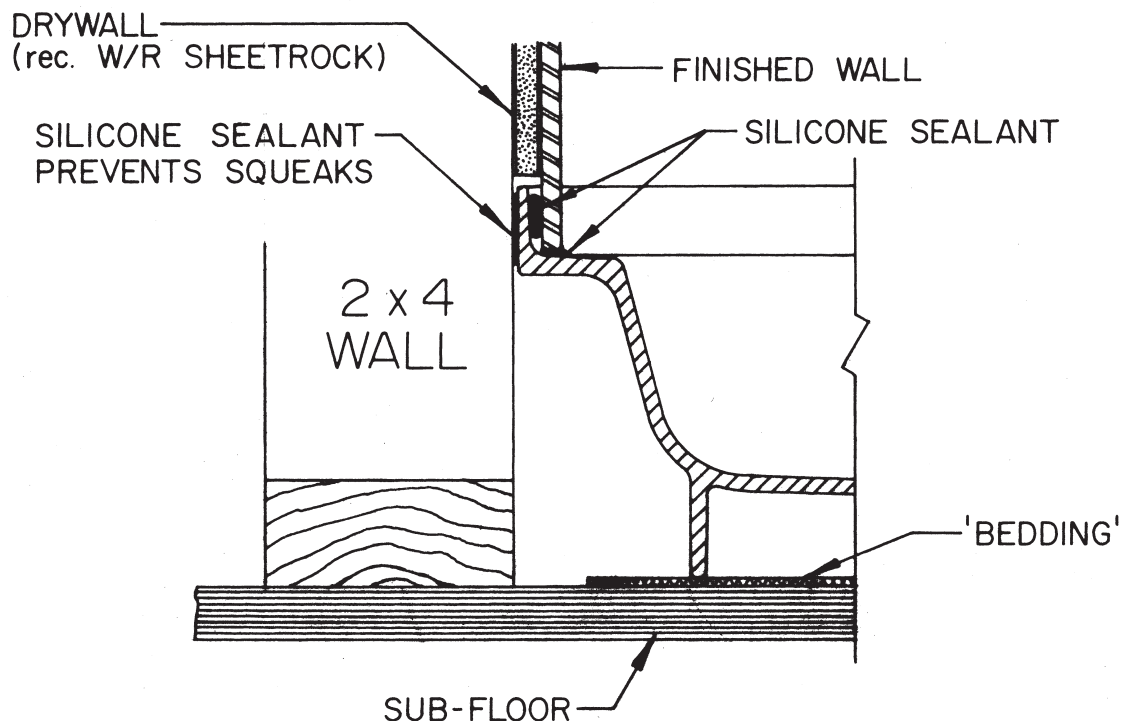
Part No. 60.300

- ① STRAINER RETAINING SCREW
- ② STRAINER
- ③ DRAIN BODY
- ④ SEALING WASHER
- ⑤ DRAIN ELL & TUBE
- ⑥ BUSHING FOR 1-1/2" TUBULAR PIPE (2)
- ⑦ 1-1/2" 90° RUBBER ELBOW



Complete installation by finishing alcove walls using "FINISHED WALL DETAIL" as a reference.

FINISHED WALL DETAIL



CARE & CLEANING

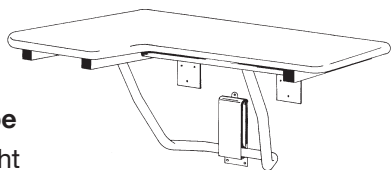
The surface of your ShowerTub™ may be cleaned with a mild soap solution in warm water using a soft cloth. For stubborn stains use "Soft Scrub" by Clorox or Lysol "Tub and Tile Cleaner" or a powdered detergent such as "Spic-n-Span". Never use an abrasive scouring powder or steel wool pads as they will dull the surface. A periodic coating of a silicone based marine polish will help retain the fine finish.

ACCESSORIES (ORDER SEPARATELY)

ShowerTub™ Drain Kit - Part No. 60.300

The quick, convenient way to replace the Previous tub waste and connect ShowerTub™ to existing 1-1/2" pipe. Complete kit includes easy to follow installation instructions.

Pull-Down Shower Seats - Strong, durable, white pull-down seats made with 18-gauge stainless steel tubing (satin finish) and comfortably padded with non-corded edges. Available for either right or left side installations.



Part No.	Size	Type
390.401	26"	Right
390.402	26"	Left

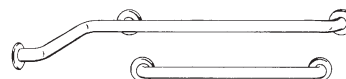
ShowerTub™ Drain Adaptor Kit

Part No. 60.306A "White"

Part No. 60.307A "Bone"

A unique component that allows the standard drain hole outlet on the ShowerTub™ to accept Part No. 60.300 Drain Kit. Complete kit includes easy to follow installation instructions. U.S. Patent Pending

Stainless Steel Grab Bars - Straight and inside corner (L-shape) grab bars are concealed-flange type and made with tough 18-gauge 1-1/2" diameter stainless steel tubing, satin finish.



Part No.	Size	Type
390.301	24"	Straight
390.302	48"	Straight
390.303	20"x42"	L-shape

E.L. MUSTEE & SONS, INC.

5431 West 164th Street • Brook Park, Ohio 44142