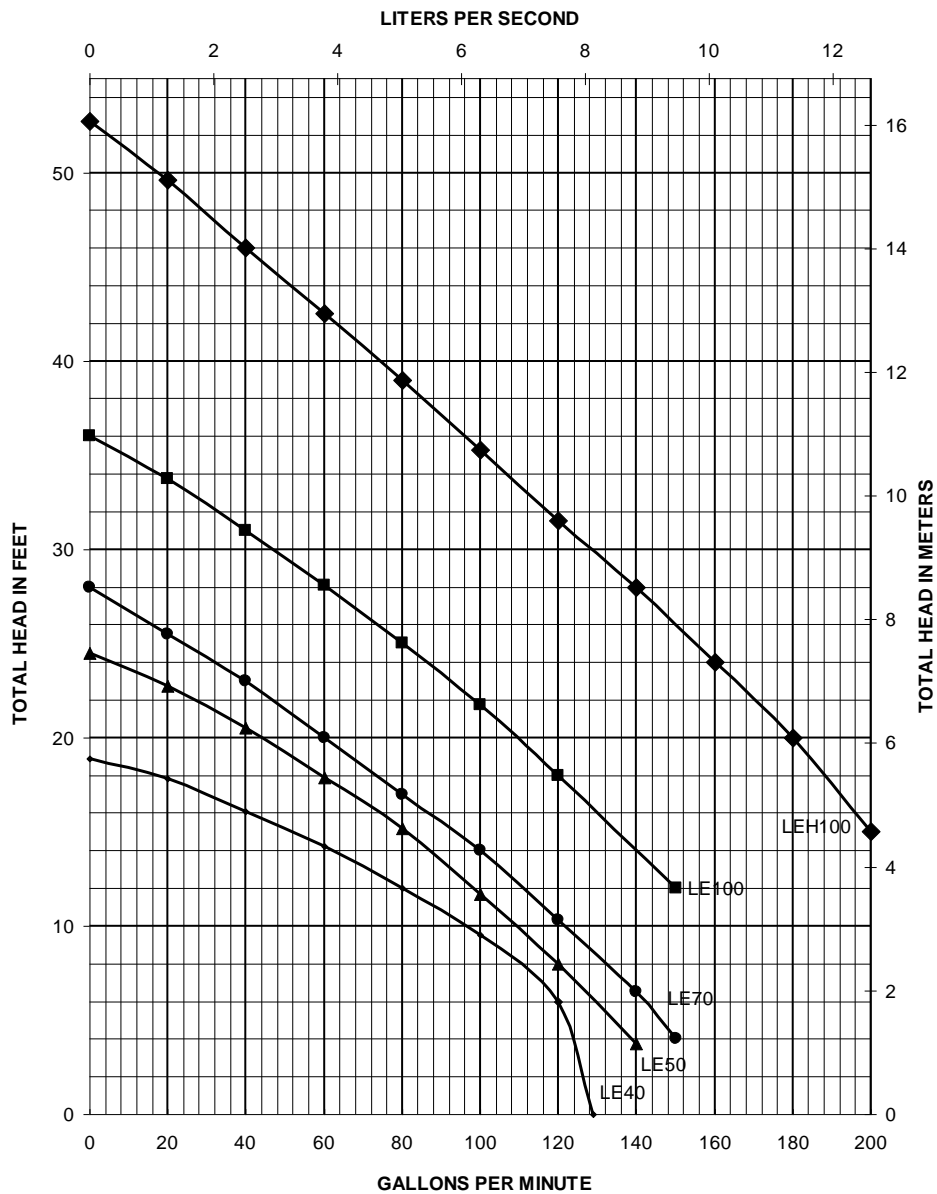
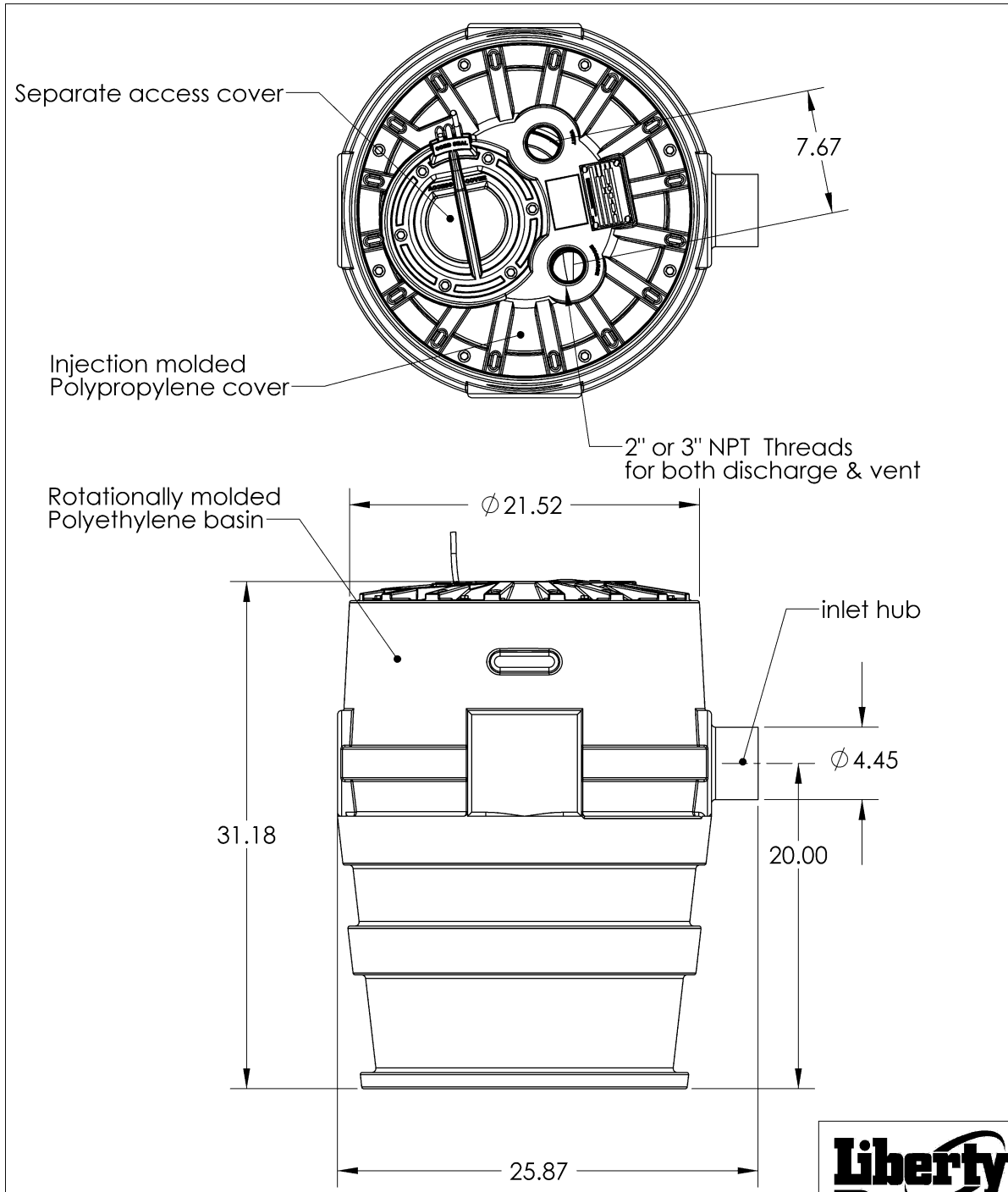


# Pump Specifications

## P370-Series Submersible Sewage Simplex Package



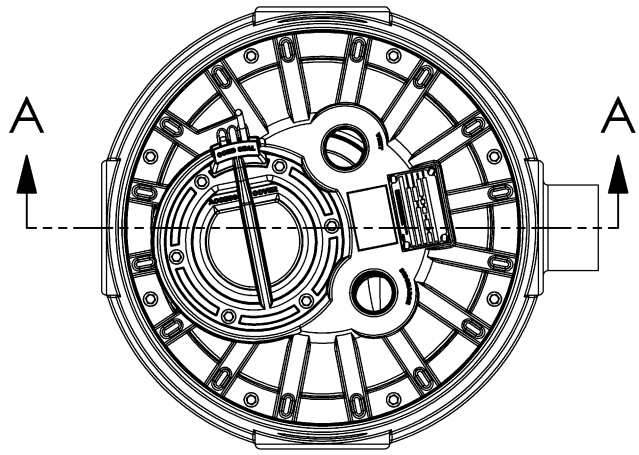
# P370-Series Dimensional Data



**PROPRIETARY AND CONFIDENTIAL**  
 THE INFORMATION CONTAINED IN THIS DRAWING IS THE SOLE PROPERTY OF LIBERTY PUMPS. ANY REPRODUCTION IN PART OR AS A WHOLE WITHOUT THE WRITTEN PERMISSION OF LIBERTY PUMPS IS PROHIBITED.

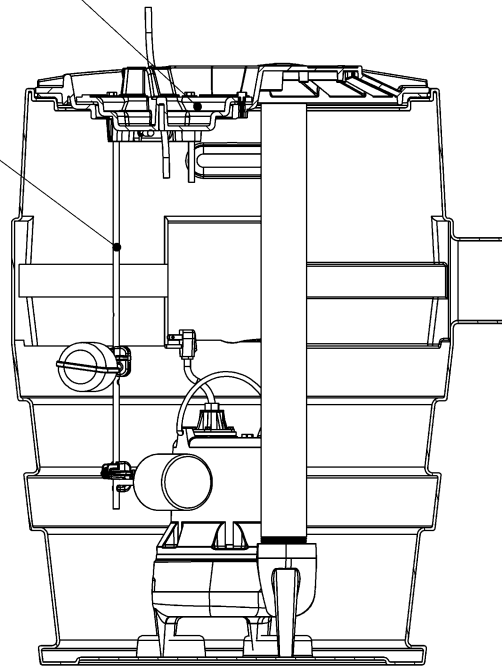
APPLICATION		DO NOT SCALE DRAWING		DWG. NO.	P370 SERIES DIMENSIONAL		REV. A
				SIZE A	DATE:		
				SCALE:1:4	WEIGHT:	LBS	SHEET 1 OF 1





Access cover

QuickTree® float system  
 Allows removal of floats  
 without pulling the pump



SECTION A-A

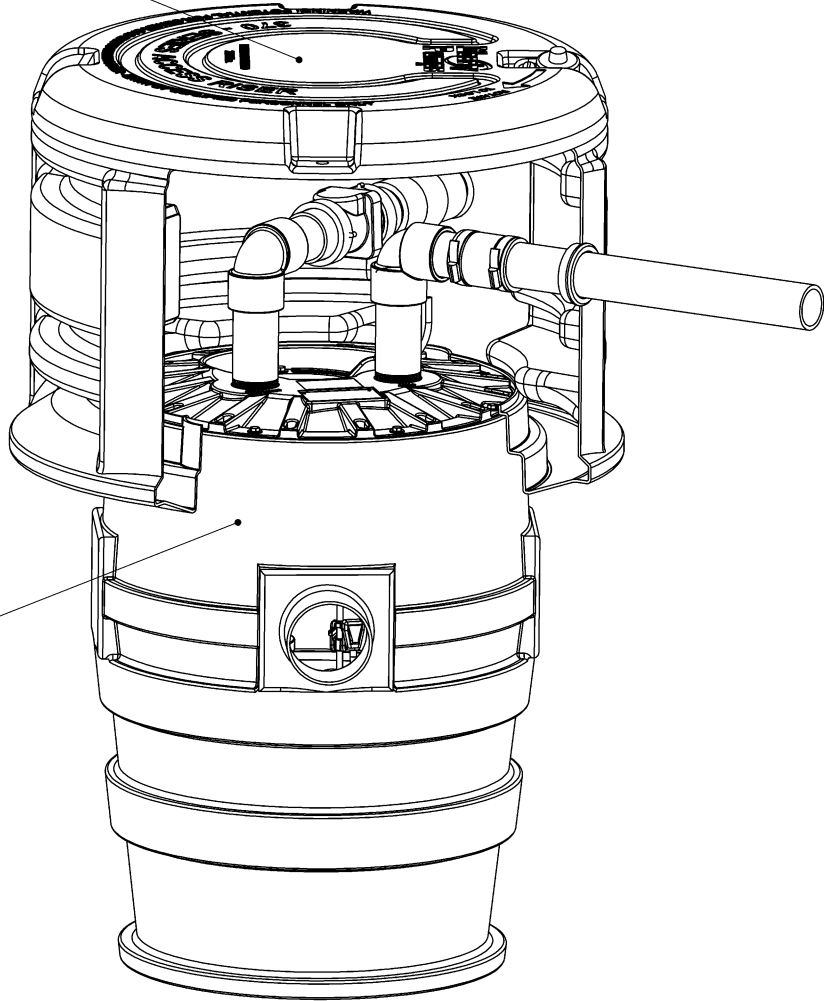


**PROPRIETARY AND CONFIDENTIAL**  
 THE INFORMATION CONTAINED IN THIS DRAWING IS THE SOLE PROPERTY OF LIBERTY PUMPS. ANY REPRODUCTION IN PART OR AS A WHOLE WITHOUT THE WRITTEN PERMISSION OF LIBERTY PUMPS IS PROHIBITED.

APPLICATION		DO NOT SCALE DRAWING		DWG. NO.	P370 SERIES DIMENSIONAL		REV.
				SIZE	DATE:		A
				SCALE:1:4	WEIGHT:	LBS	SHEET 1 OF 1



OPTIONAL  
ARC18 RISER



P370 SYSTEM

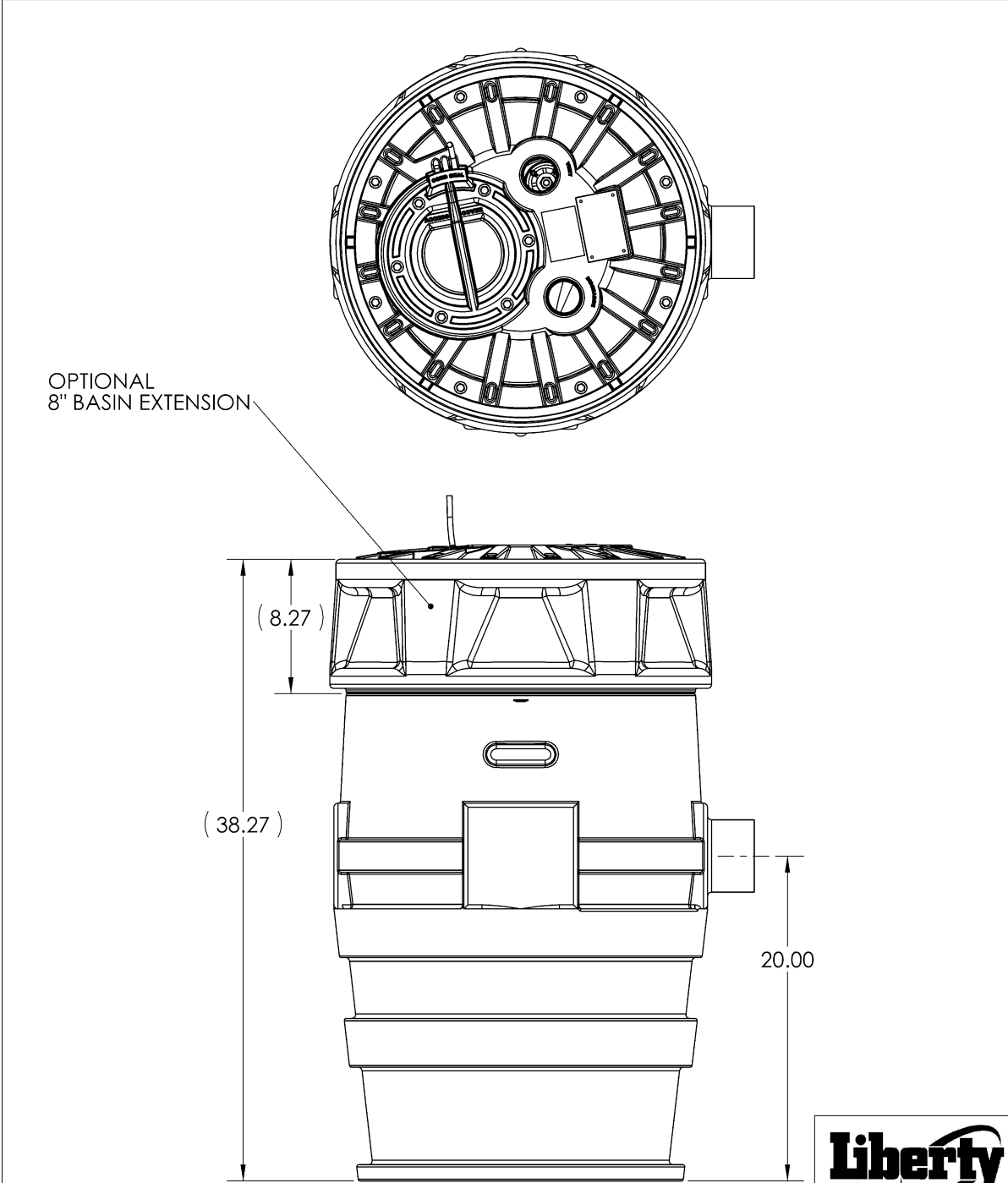


**PROPRIETARY AND CONFIDENTIAL**  
THE INFORMATION CONTAINED IN THIS DRAWING IS THE SOLE PROPERTY OF LIBERTY PUMPS. ANY REPRODUCTION IN PART OR AS A WHOLE WITHOUT THE WRITTEN PERMISSION OF LIBERTY PUMPS IS PROHIBITED.

DWG. NO.		P370 SERIES W/ RISER		REV.
SIZE	DATE:			A
A		SCALE:1:4	WEIGHT: LBS	SHEET 1 OF 1

APPLICATION	DO NOT SCALE DRAWING
-------------	----------------------





**PROPRIETARY AND CONFIDENTIAL**  
 THE INFORMATION CONTAINED IN THIS DRAWING IS THE SOLE PROPERTY OF LIBERTY PUMPS. ANY REPRODUCTION IN PART OR AS A WHOLE WITHOUT THE WRITTEN PERMISSION OF LIBERTY PUMPS IS PROHIBITED.

APPLICATION	DO NOT SCALE DRAWING
-------------	----------------------

DWG. NO. P370 SERIES W/ EXTENSION			
SIZE <b>A</b>	DATE: 6-08	REV. <b>A</b>	
SCALE:1:4	WEIGHT: <b>LBS</b>	SHEET 1 OF 1	



## P370-Series Electrical Data

MODEL	HP	VOLTAGE	PHASE	SF	FULL LOAD AMPS	LOCKED ROTOR AMPS	THERMAL OVERLOAD TEMP	STATOR WINDING CLASS	DISCHARGE	AUTOMATIC SYSTEM
P372LE41	4/10	115	1	1.00	12	22.5	105°C 221°F	B	2"	YES
P372LE51	1/2	115	1	1.00	12	22.5	105°C 221°F	B	2"	YES
P372LE52	1/2	208-230	1	1.00	6.8	12	105°C 221°F	B	2"	YES
P372LE71	3/4	115	1	1.00	12	28	105°C 221°F	B	2"	YES
P372LE72	3/4	208-230	1	1.00	6	13	105°C 221°F	B	2"	YES
P372LE102	1	208-230	1	1.00	8	21	105°C 221°F	B	2"	YES
P372LEH102	1	208-230	1	1.00	12	30	105°C 221°F	B	2"	YES
P373LE41	4/10	115	1	1.00	12	22.5	105°C 221°F	B	3"	YES
P373LE51	1/2	115	1	1.00	12	22.5	105°C 221°F	B	3"	YES
P373LE52	1/2	208-230	1	1.00	6.8	12	105°C 221°F	B	3"	YES
P373LE71	3/4	115	1	1.00	12	28	105°C 221°F	B	3"	YES
P373LE72	3/4	208-230	1	1.00	6	13	105°C 221°F	B	3"	YES
P373LE102	1	208-230	1	1.00	8	21	105°C 221°F	B	3"	YES
P373LEH102	1	208-230	1	1.00	12	30	105°C 221°F	B	3"	YES

## P370-Series Technical Data

TANK	POLYETHYLENE
COVER	POLYPROPYLENE
GUIDE RAIL	NONE – PUMPS PULL OUT WITH COVER
INLET HUB	INCORPORATED INTO TANK
DISCHARGE PIPING	SCHEDULE 80 PVC
CONTROLS	PIGGY BACK FLOATS
IMPELLER	SEE INDIVIDUAL PUMP MODELS SPEC SHEET
SOLIDS HANDLING SIZE	SEE INDIVIDUAL PUMP MODELS SPEC SHEET
PAINT	SEE INDIVIDUAL PUMP MODELS SPEC SHEET
MAX LIQUID TEMP	SEE INDIVIDUAL PUMP MODELS SPEC SHEET
MAX STATOR TEMP	SEE INDIVIDUAL PUMP MODELS SPEC SHEET
THERMAL OVERLOAD	SEE INDIVIDUAL PUMP MODELS SPEC SHEET
POWER CORD TYPE	SEE INDIVIDUAL PUMP MODELS SPEC SHEET
MOTOR HOUSING	SEE INDIVIDUAL PUMP MODELS SPEC SHEET
VOLUTE	SEE INDIVIDUAL PUMP MODELS SPEC SHEET
SHAFT	SEE INDIVIDUAL PUMP MODELS SPEC SHEET
HARDWARE	SEE INDIVIDUAL PUMP MODELS SPEC SHEET
ORINGS	SEE INDIVIDUAL PUMP MODELS SPEC SHEET
MECHANICAL SEAL	SEE INDIVIDUAL PUMP MODELS SPEC SHEET
MIN BEARING LIFE	SEE INDIVIDUAL PUMP MODELS SPEC SHEET

## **P370-Series Specifications**

---

**See individual pump specification for more details on the pumps.**

### **WARRANTY**

Standard limited warranty shall be 2 years.