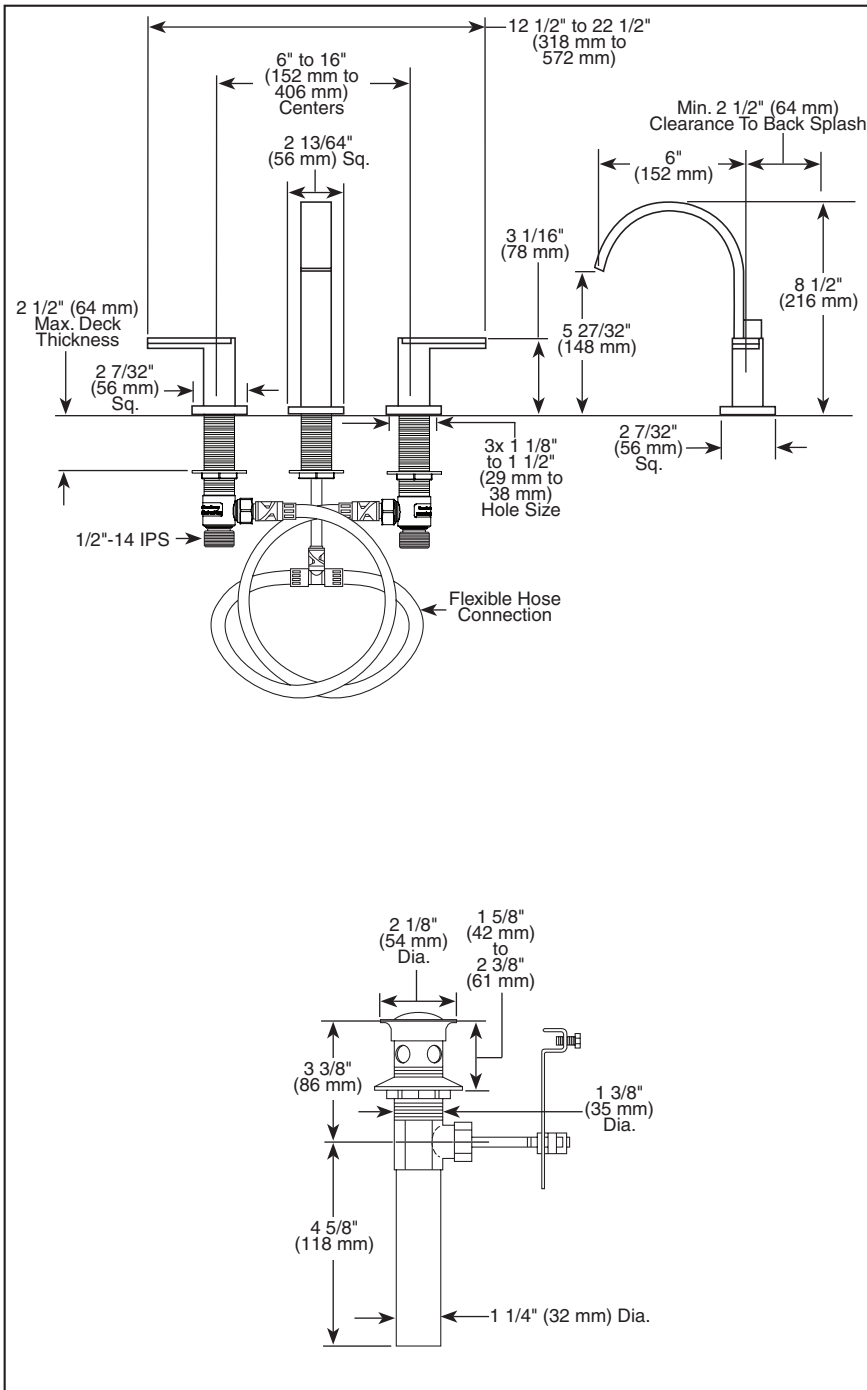


Submitted Model No.: \_\_\_\_\_

Specific Features: \_\_\_\_\_



▲ Designate Proper Finish Suffix

# BRIZO<sup>®</sup>

## LAVATORY

### FAUCETS

- Siderna™ Bath Collection
- Two Handle Widespread Deck Mount
- 3 Hole Sink Applications
- 6" to 16" Centers
- Quick-Snap® Installation

#### STANDARD SPECIFICATIONS:

- Solid brass fabricated end valve and spout bodies.
- Widespread - 6" (152mm) to 16" (406 mm) centers.
- 6" (152 mm) long, 8 1/2 (216 mm) high rigid spout.
- Quick-Snap® installation.
- 1/4 turn handle stops.
- Control mechanism is a rotating cylinder ceramic cartridge with 90° rotation.
- Models have metal drain with pop-up type fitting with plated flange and stopper.
- Flexible hose connections.
- Accomodates up to 2 1/2" deck thickness.
- Maximum flow rate 1.5 gpm @ 60 PSI.
- Ceramic disc valving.
- Handles attach to end valves by use of magnets inside handle. No set screw required.

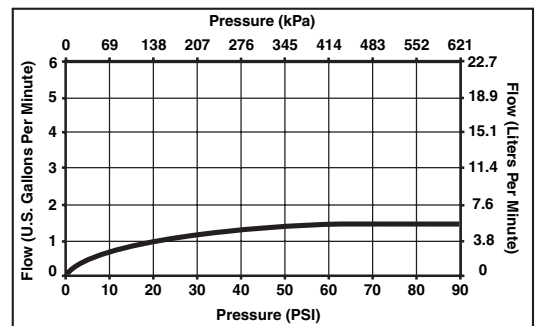
#### WARRANTY

- Lifetime Faucet and Finish Limited Warranty to the original consumer purchase to be free from defects in material and workmanship.
- 5 Year Limited Warranty for usage in all industrial, commercial and business applications.



#### COMPLIES WITH:

- ASME A112.18.1 / CSA B125.1
- ASME A112.18.2 / CSA B125.2
- Indicates compliance to ICC/ANSI A117.1
- EPA WaterSense
- Verified compliant with .25% weighted average Pb content regulations.



#### Delta Faucet Company

55 E. 111th Street, Indianapolis, Indiana 46280  
 395 Matheson Blvd. E., Mississauga, ON L4Z 2H2  
 © 2010 Masco Corporation of Indiana

Delta reserves the right (1) to make changes in specifications and materials, and (2) to change or discontinue models, both without notice or obligation. Dimensions are for reference only. See current full-line price book or [www.brizo.com](http://www.brizo.com) for finish options and product availability.

BSP-L-65380LF Rev. A