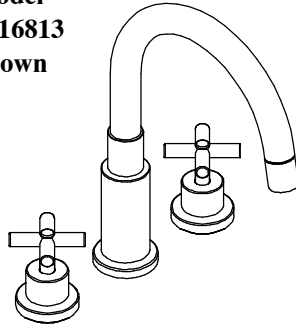


COMPLIES WITH:
ANSI/ASME A112.18.1
CSA B125.1
ICC/ANSI A117.1/ADA



IAPMO Listed
CSA Certified

Model
6716813
Shown



BATH VALVES

- Trevi™ Cross Two Handle Roman Tub Valve
 - 3 Hole Applications
 - Temperature and Volume Controlled With Handles
 - 8" to 16" Centers
 - Flexible Ledge Mount
- Submitted Model No.:**

Specific Features:

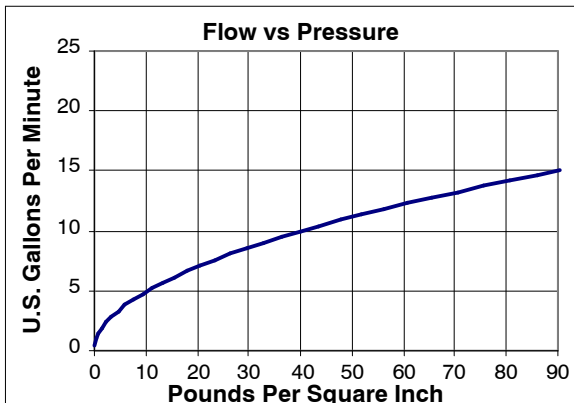
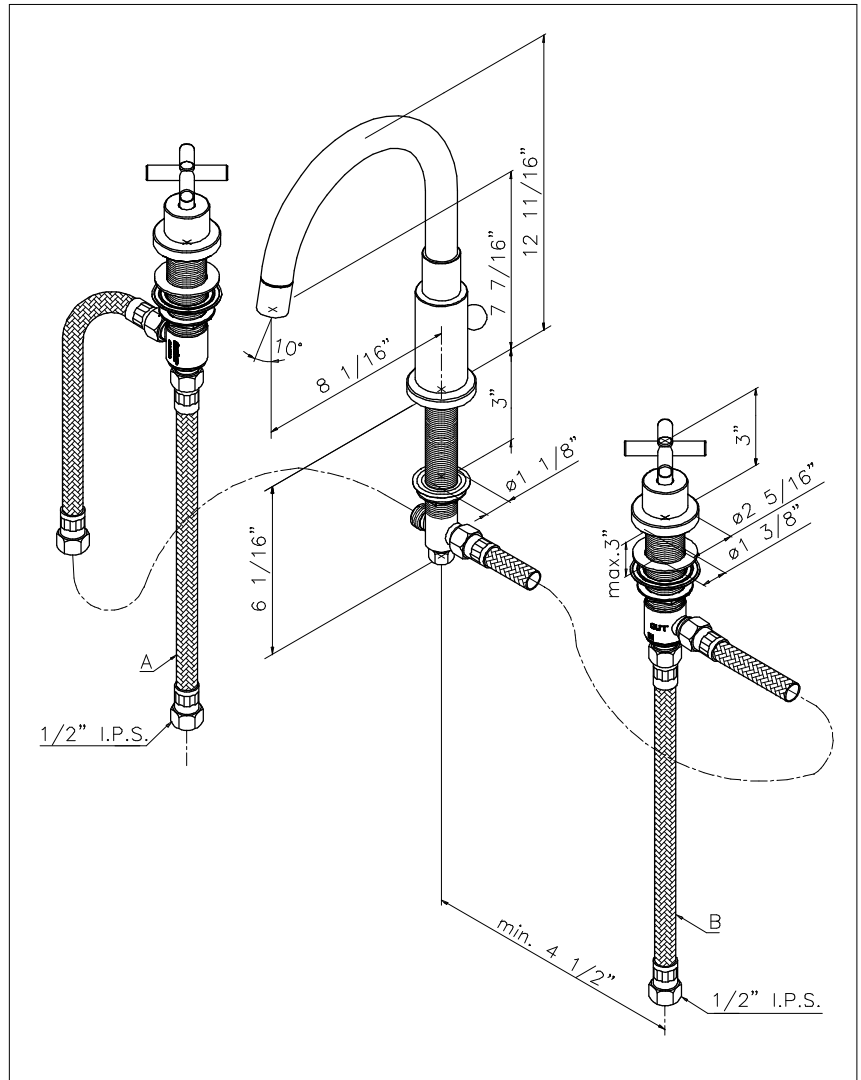
STANDARD SPECIFICATIONS

- Roman tub valve
- Valve mechanism shall be of the rotating ceramic cylinder type with 90° (1/4 turn) rotation.
- Minimum 4 1/2" to maximum 10" distance between holes.
- Recommended hole size: Valve units: 1 3/8"
Spout: 1 1/8"
- All operating parts shall be replaceable from the top.
- Conventional installation kit adjusts to 3" maximum deck thickness.

AVAILABLE FINISHES

Suffix	Finish
BN	Brilliance® Brushed Nickel
PC	Polished Chrome

Standard Features	
Washerless ceramic valving	◆
Flexible connection hoses	◆
1/2" I.P.S. Adapters	◆



Metric Conversion Chart

US Gals./Min	0.5	1.0	1.5	2.0	2.5	3.0	10.0	10.5	12.0	17.5	18.0	19.0	psi	60.0	80.0
L/Min	1.9	3.8	5.7	7.6	9.5	11.4	38.0	40.0	45.0	66.0	68.0	72.0	kPa	414	551