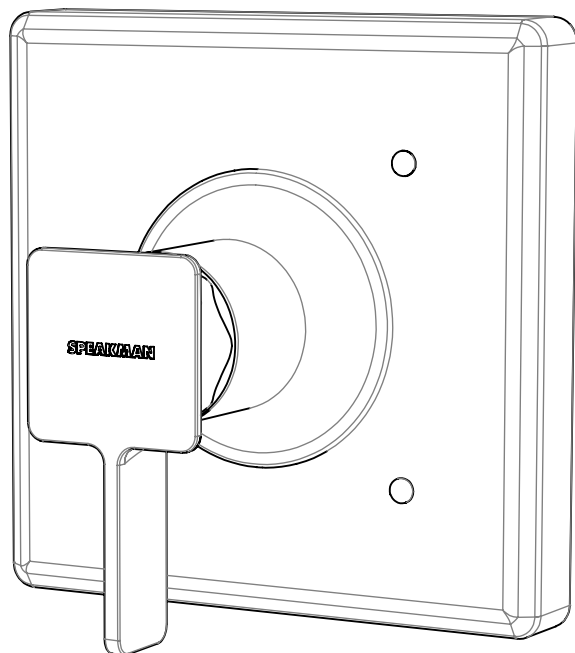


SPEAKMAN®

The Edge™ Universal Trim

CPT-1300-UNI

SPECIFICATION



FEATURES:

- Retrofit able to:
 - Kohler® Rite-Temp® K-304-KS valve
 - Moen® PosiTemp® 62370 valve
 - Delta® R10000-UNWS valve
 - Symmons® 46-2-X-BODY Temptrol® valve
- Metal valve handle
- ABS wall plate
- Configurable hot and cold indicators
- Includes all mounting hardware

COMPLIANCE:

- Meets ASME A112.18.1/CSA B125.1

FINISH:

ADD SUFFIX TO MODEL #

- Chrome (standard)
- Brushed Nickel -BN

WARRANTY:

- 1 year limited

SEE REVERSE FOR ROUGH-IN DIMENSIONS

THIS SPACE FOR ARCHITECT/ENGINEER APPROVAL.

SPEAKMAN®

400 ANCHOR MILL ROAD | NEW CASTLE, DE 19720
P: 800-537-2107 | F: 800-977-2747
WWW.SPEAKMANCOMPANY.COM

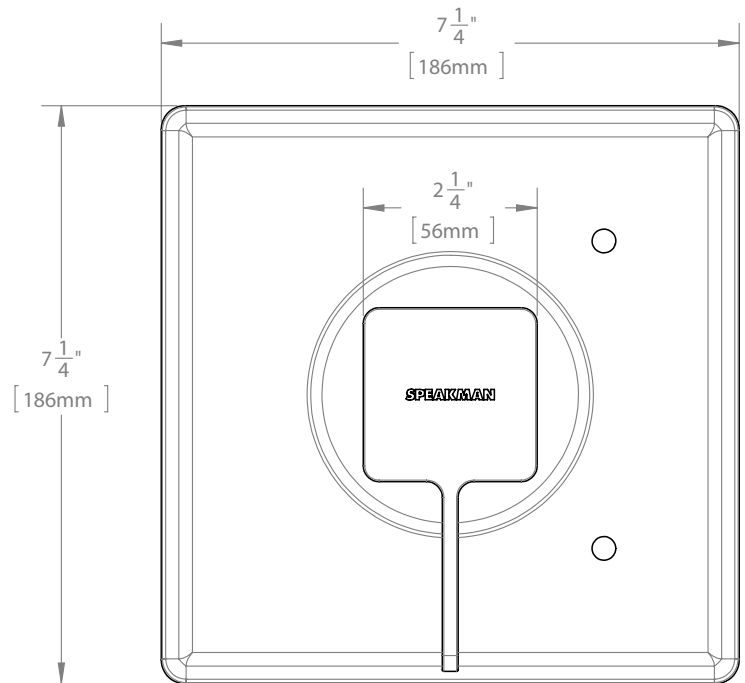
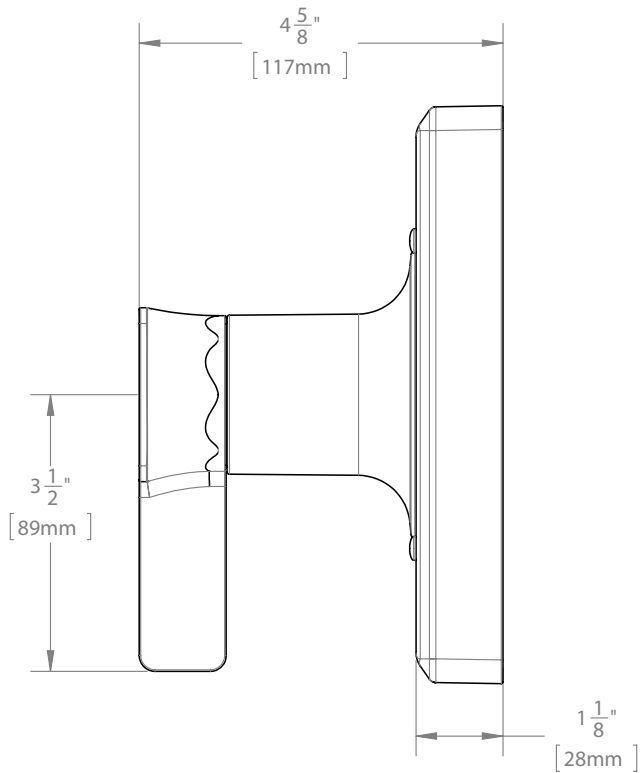
REVISION DATE: JANUARY 2014

Management Systems
Registered to ISO 9001

SPEAKMAN®

The Edge™ Universal Trim CPT-1300-UNI

SPECIFICATION



NOTE: 1. All dimensions are in inches (millimeters) unless otherwise specified and are subject to change without notice.

THIS SPACE FOR ARCHITECT/ENGINEER APPROVAL.

SPEAKMAN®

400 ANCHOR MILL ROAD | NEW CASTLE, DE 19720
P: 800-537-2107 | F: 800-977-2747
WWW.SPEAKMANCOMPANY.COM

REVISION DATE: JANUARY 2014

Management Systems
Registered to ISO 9001