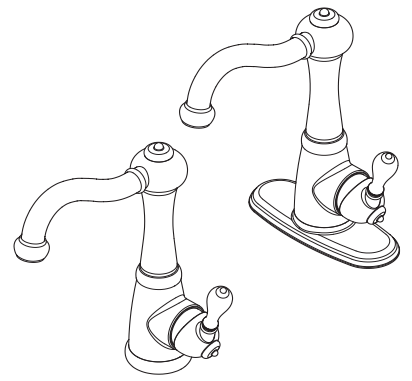


- | | |
|---|--|
| GT72-M1CC Finish(CC) <input type="checkbox"/> | T72-M1CC Finish(CC) <input type="checkbox"/> |
| GT72-M1SS Finish(SS) <input type="checkbox"/> | T72-M1SS Finish(SS) <input type="checkbox"/> |
| GT72-M1UU Finish(UU) <input type="checkbox"/> | T72-M1UU Finish(UU) <input type="checkbox"/> |
| GT72-M1YY Finish(YY) <input type="checkbox"/> | T72-M1YY Finish(YY) <input type="checkbox"/> |



- Single Control
- 1 or 3-Hole Installation
- Pforever Seal
- Flexible Braided Stainless Steel Supply Lines

Specifications

Features

- Solid Brass Construction
- 1.8 GPM Flow Rate (GT72 Only)
- 2.2 GPM (8.33 L/M) Flow Rate (T72 Only)
- Temperature Memory Feature Retains Desired Temperature Setting
- Up to 2 1/2" of Deck Clearance
- 1 or 3-Hole Installation; Deck Plate or Single Hole Mounting Option
- 360° Swivel Spout for Custom Handle Positioning
- Decorative Arc Spout
- Pforever Seal Ceramic Disc Valve
- Pforever Warranty®

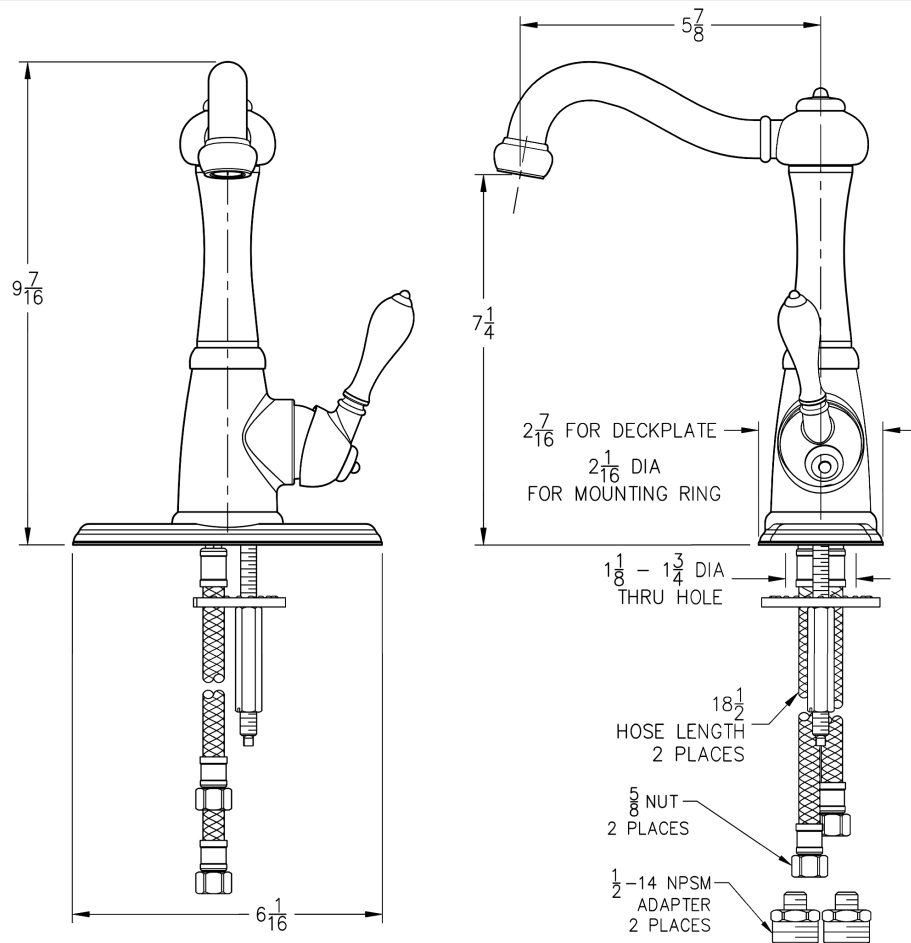
Code Compliance

Pfister products are designed and manufactured in compliance with the following standards and codes:

- IAPMO Certified
- CSA B125 Certified
- ASME A112.18.1
- NSF 61/9 Annex G (Low lead) (GT72 Only)
- Cal Green Compliant (GT72 Only)
- ADA Compliant-ANSI A117.1 (Lever handles only)



Dimensions



Ø1-3/8 Min to Ø1-1/2 Max. Deck Hole Openings