



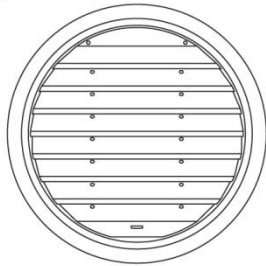
# Damper Louver Submittal Sheet

## 4901 Series

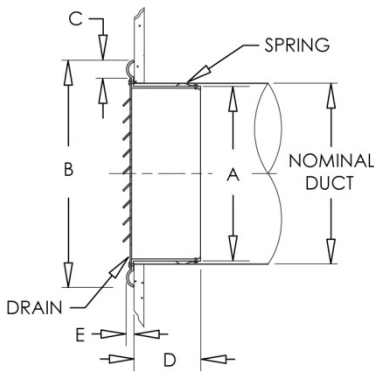
### Round Aluminum Vent Louver



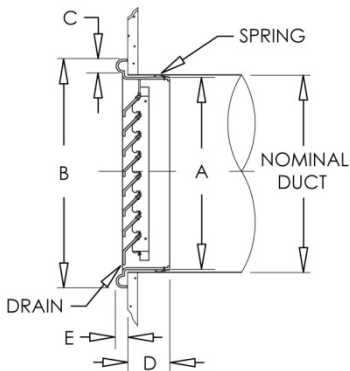
4901



4902



4901



4902

**Model:** 4901

**Description:** Round Aluminum Vent Louver

**Standard Features:**

- Lightweight aluminum vent louver
- Able to withstand wet and corrosive environments
- Mounting springs secure vent in duct
- Easily installed using only high grade silicon caulk (provided by others)
- Designed for duct sizes 3"-8"
- Anodized Finish

**Options:**

- Round aluminum vent louver designed for duct sizes 10"-16" (4902)
- Insect Screen (4901-IS)

4901						
Duct Size	Free Area	A	B	C	D	E
3"	.02 ft <sup>2</sup>	2 29/32"	4 13/16"	19/32"	1 3/8"	9/32"
4"	.04 ft <sup>2</sup>	3 13/16"	5 23/32"	19/32"	1 21/32"	9/32"
5"	.05 ft <sup>2</sup>	4 3/4"	6 21/32"	19/32"	1 25/32"	9/32"
6"	.08 ft <sup>2</sup>	5 23/32"	8	25/32"	2 3/4"	9/32"
7"	.11 ft <sup>2</sup>	6 11/16"	8 31/32"	25/32"	2 3/4"	9/32"
8"	.14 ft <sup>2</sup>	7 11/16"	10"	25/32"	2 3/4"	9/32"

4902						
Duct Size	Free Area	A	B	C	D	E
10"	.19 ft <sup>2</sup>	9 21/32"	12 11/16"	1"	2 31/32"	13/32"
12"	.27 ft <sup>2</sup>	11 19/32"	14 21/32"	1"	2 31/32"	13/32"
14"	.37 ft <sup>2</sup>	13 19/32"	16 5/8"	1"	3 11/32"	13/32"
16"	.49 ft <sup>2</sup>	15 9/16"	18 19/32"	1"	3 11/32"	13/32"

**Additional Information:**

Project / Location:	<b>Submittal Notes</b>
Engineer:	
Architect:	
Contractor:	