

Ref. Part Description	75E	100E	75EA	100EA
BONNET ASSEMBLY				
1 Bleed Screw	202502	202502	202502	202502
2 Bleed Gasket	—	—	—	—
3 Filter Screen Assy	202653	202653	202653	202653
4 Filter Body	—	—	—	—
5 O-Ring	—	—	—	—
6 Spring	—	—	—	—
7 Filter	206092-02	206092-02	206092-02	206092-02
8 Bonnet Bolt (4)	202507	202507	202507	202507
9 Bonnet	(A)	(A)	(A)	(A)
SOLENOID ASSEMBLY				
10 Solenoid Assy	206920-01	206920-01	206920-01	206920-01
11 Rubber Retainer	627167	627167	627167	627167
12 Coil	602118	602118	602118	602118
13 U-Frame	—	—	—	—
14 Base Nut (Brass)	602142	602142	602142	602142
15 Tube	—	—	—	—
16 Plunger/Spring Assy	—	—	—	—
C Space Seal	(C)	(C)	(C)	(C)
17 Fluid Resistor Kit	(B) 207399	(B) 207399	(B) 207399	(B) 207399
18 Fluid Resistor	—	—	—	—
19 O-Ring	(203316)	(203316)	(203316)	(203316)
LOWER ASSEMBLY				
20 Diaphragm Spring	202528	202528	202528	202528
21 Diaphragm Assembly	203564	203564	202868	202868
22 Body	(A)	(A)	—	—

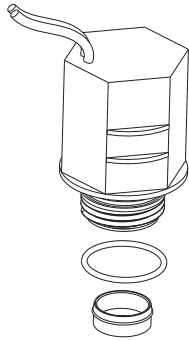
(A) Not available. No replacement.

(B) Old style fluid resistor and space seal are replaced by new style fluid resistor and o-ring. Use Kit # 207399.

(C) Please note: Old space seal #202538 may be used if additional solenoid plunger clearance is needed.

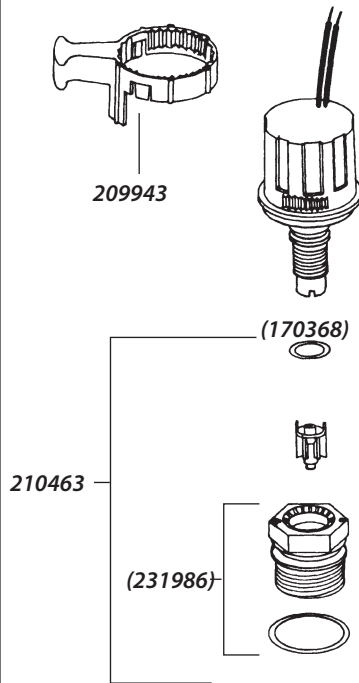
Note: Part numbers enclosed in brackets () are not available individually, but may be sold in assemblies or kits.

ASVF / JTV / DV SOLENOID - 208588-01



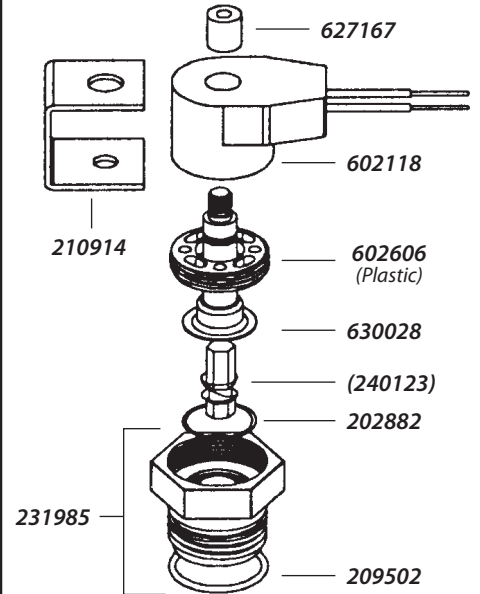
E-Z BLEED KIT - 209532-02

Used on
PGA / PEB / PESB / GB / EFB-CP Valves



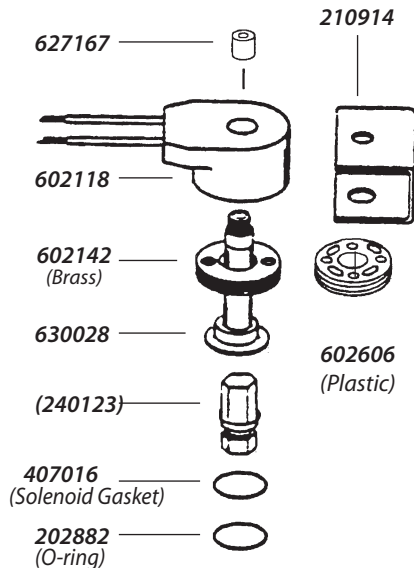
B TO A SOLENOID ADAPTER - B31800

Used on
PGA / PEB / PESB / GB /
EFB-CP / BPE / BPES Valves



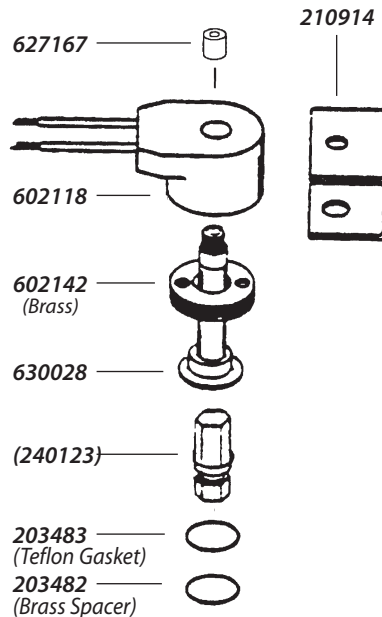
UNIVERSAL KIT - 206920-01

Used on
E / EA / EF / EFA / G / PE / EP Valves
DR Rotors



**K-7 CONVERSION KIT - 203671
(ITT SOLENOID REPLACEMENT)**

Used on
61000 Series Valves
EAV / EGV / ETV Valves



HV SOLENOID - 236307

Used on
100HV / 100HVF Valves



Note: Part numbers enclosed in brackets () are not available individually, but may be sold in assemblies or kits.