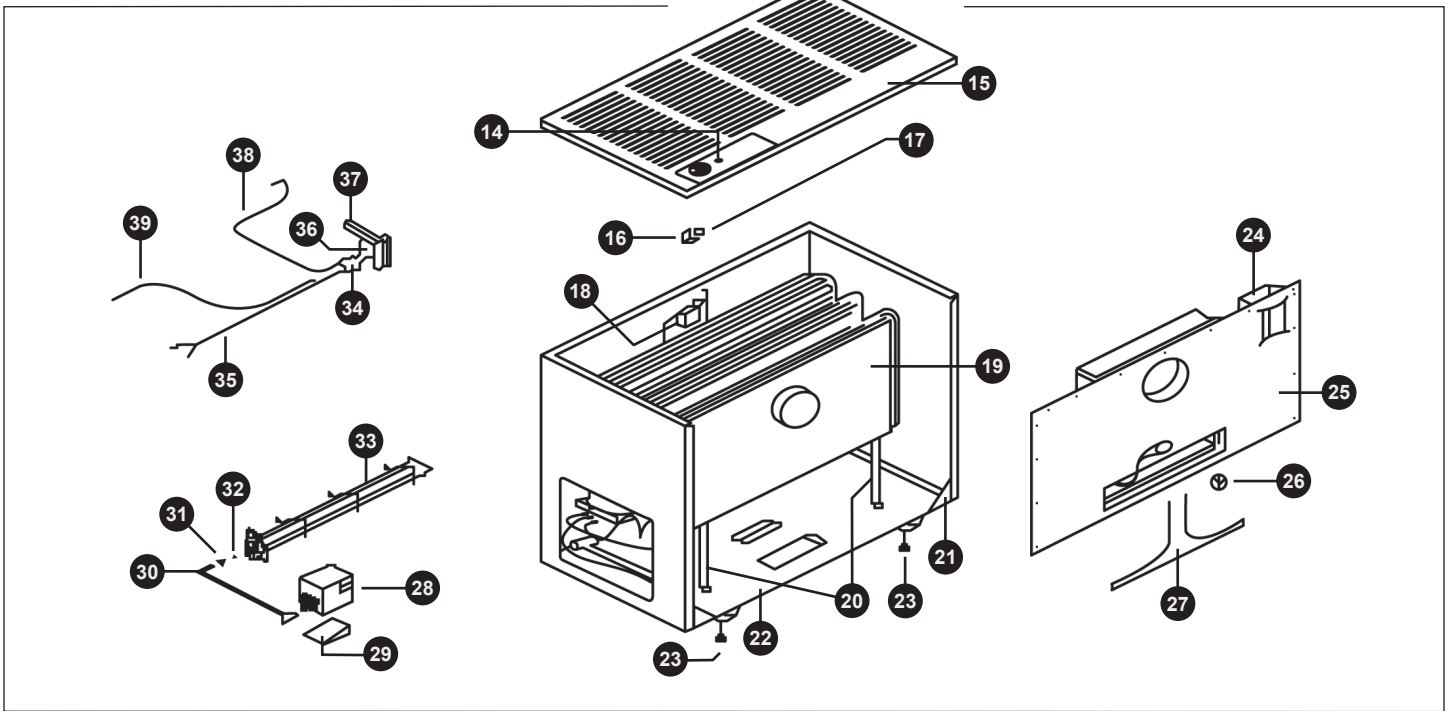


Fig. M-2



FOR NAT. MODELS:

| REF. # | PART DESCRIPTION | VC201C PART NO. | VC351C PART NO. | VC501C PART NO. |
|--------|---|--------------------|--------------------|--------------------|
| 14 | PIEZO IGNITOR | 80016 | 80016 | 80016 |
| 15 | CASING, Top Assembly | 45052-10 | 45552-10 | 46402-10 |
| 16 | GROMMET, Control Rod | 80010 | 80010 | 80010 |
| 17 | REMOTE MOUNTING BRACKET | 45062 | 45062 | 45062 |
| 18 | BULB CONTROL SWITCH (Cotherm) | 80180 | 80180 | 80180 |
| 19 | HEAT EXCHANGER, Closed Front | 45200 | 45675 | 46500 |
| 20 | REAR LEG, Heat Exchanger | N/A | 45760 | 45760 |
| 21 | GUSSET | *45195 | *45195 | *45195 |
| 22 | CASING BASE, Assembly | 45175 | 45640 | 46460 |
| 23 | LEG LEVELLERS, 4 per heater | 80009 | 80009 | 80009 |
| 24 | DRAFT DIVERTER, Assembly | 45300 | 45783 | 46558 |
| 25 | CASING, Back Assembly | 45150 | 45612 | 45612 |
| 26 | SWITCH, Vent Safety Spill / VC | 80102 | 80106 | 84166 |
| 27 | WIRING HARNESS | 80212 | 80213 | 80213 |
| 28 | VALVE, 6003 Natural Gas Valve, Dexen | 84085 | 84085 | 84085 |
| 29 | VALVE, Support Bracket | 45336 | 45336 | 45336 |
| 30 | MANIFOLD | 80133 | 80133 | 80135 |
| 31 | ORIFICE NUT | 80024 | 80024 | 80024 |
| 32 | BURNER ORIFICE, Natural Gas | 80025 | 80058 | 80119 |
| 33 | BURNER, Steel | 80123 | 80124 | 80125 |
| 34 | PILOT ASSY. 0.140.514 Nat. w/ Electrode | 80062 | 80062 | 80062 |
| 35 | PILOT GENERATOR 23" | 70098 | 70098 | 70098 |
| 36 | LIGHTING HOLE COVER, Pilot | 45332 | 45332 | 45332 |
| 37 | BURNER MOUNTING PLATE, Assembly | 45817 | 45817 | 45817 |
| 38 | PILOT TUBING Assy. w/Fittings 24" | 70012 | 70012 | 70012 |
| 39 | PIEZO WIRE | 80128 | 80128 | 80128 |

ADDITIONAL PARTS:

| PART DESCRIPTION | PART NO. |
|-------------------------------|----------|
| COZY LOGO Emblem | 80006 |
| CLIPS, for Cozy Emblem | 80007 |
| LIGHTING INSTRUCTIONS | 47740 |
| HEAT EXCHANGER SPACER: | |
| VC201C, Spacer | N/A |
| VC351C, Spacer | 45845 |
| VC501C, Spacer | 45845 |

*Two (2) are Required

Specifications subject to change without notice.

FOR MODELS THAT HAVE BEEN CONVERTED TO LP:

| | VC202C | VC352C | VC502C |
|----|---|--------|--------|
| 28 | VALVE, 6003 L.P. Gas Valve, Dexen | 84086 | 84086 |
| 34 | PILOT ASSY. 0.140.504 L.P. w/ Electrode | 80063 | 80063 |
| 32 | BURNER ORIFICE, L.P. Gas | 80027 | 80120 |