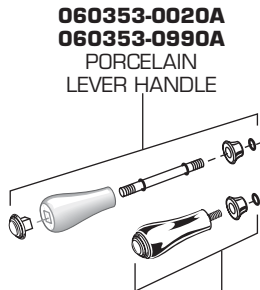


SPREAD LAVATORY FAUCETS MODEL NUMBERS

2808.222
2908.222



060353-0020A
060353-0990A
PORCELAIN
LEVER HANDLE

021470-0020A
021470-0990A
INDEX CAP

918428-0070A
HANDLE SCREW

909410-0020A
909410-0990A
LEVER BALL

060354-0020A
060354-0990A
METAL
LEVER HANDLE

051381-0020A
051381-0990A
HANDLE BASE

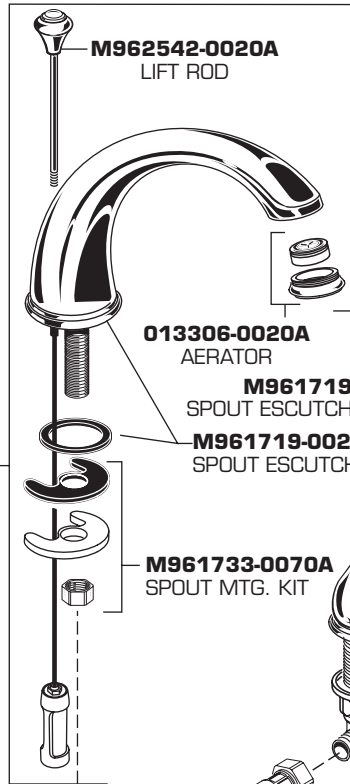
M961724-0020A
SPOUT KIT
2908 SERIES

918049-0070A
HANDLE ADAPTER

051379-0020A
051379-0990A
VALVE
ESCUTCHEON KIT

994053-0070A
VALVE

M906617-0070A
VALVE
MOUNTING NUT



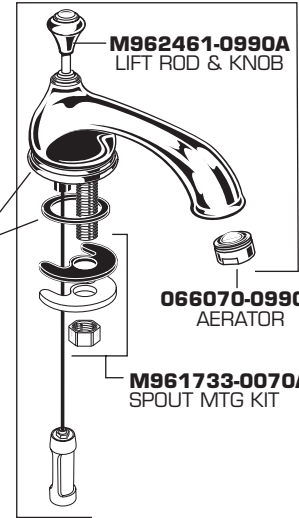
M962542-0020A
LIFT ROD

013306-0020A
AERATOR

M961719-0990A
SPOUT ESCUTCHEON KIT

M961719-0020A
SPOUT ESCUTCHEON KIT

M961733-0070A
SPOUT MTG. KIT



M962461-0990A
LIFT ROD & KNOB

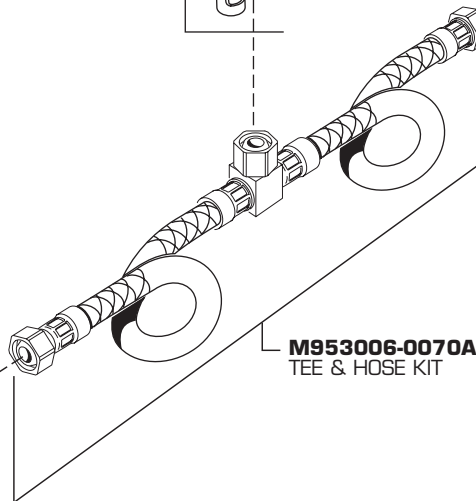
066070-0990A
AERATOR

M961733-0070A
SPOUT MTG. KIT

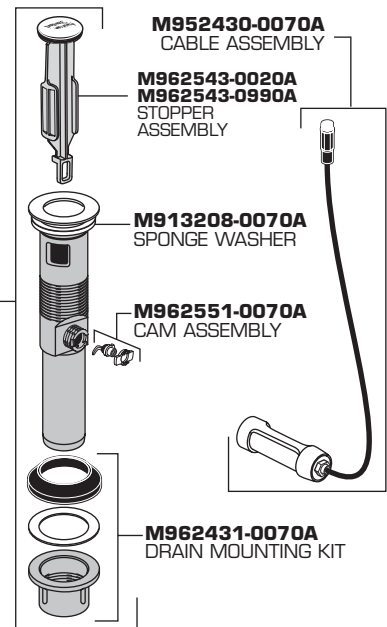
M961725-0990A
SPOUT KIT
2808 SERIES

Appropriate finish code

CHROME	002
POLISHED BRASS	099



M953006-0070A
TEE & HOSE KIT



M952430-0070A
CABLE ASSEMBLY

M962543-0020A
M962543-0990A
STOPPER
ASSEMBLY

M913208-0070A
SPONGE WASHER

M962551-0070A
CAM ASSEMBLY

M962431-0070A
DRAIN MOUNTING KIT

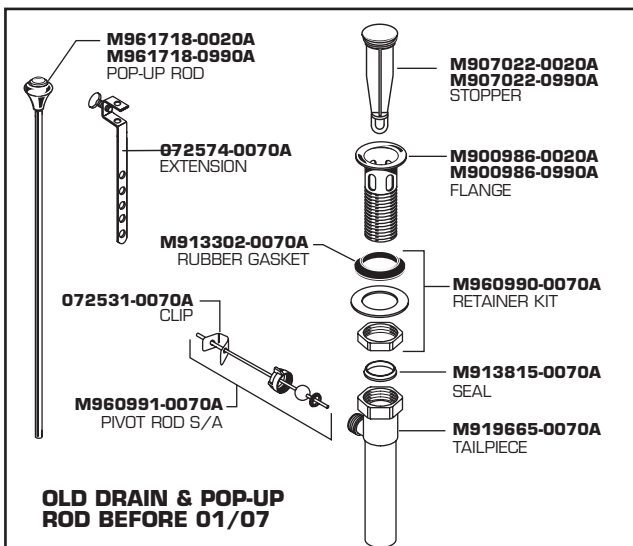
US60385 Rev. 1.2

HOT LINE FOR HELP

For toll-free information and answers to your questions, call:
1-800-442-1902
Weekdays 8:00 a.m. to 6:00 p.m. EST
IN CANADA 1-800-387-0369 (TORONTO 1-905-306-1093)
Weekdays 8:00 a.m. to 7:00 p.m. EST
IN MEXICO 01-800-839-12-00



Product names listed herein are trademarks of American Standard Inc.
© AS America, Inc. 2008



M961718-0020A
M961718-0990A
POP-UP ROD

872574-0070A
EXTENSION

M913302-0070A
RUBBER GASKET

072531-0070A
CLIP

M960991-0070A
PIVOT ROD S/A

M907022-0020A
M907022-0990A
STOPPER

M900986-0020A
M900986-0990A
FLANGE

M960990-0070A
RETAINER KIT

M913815-0070A
SEAL

M919665-0070A
TAILPIECE

**OLD DRAIN & POP-UP
ROD BEFORE 01/07**