



a Geberit company

2100 South Clearwater Drive
Des Plaines, IL 60018
Phone: 847-803-5000
Fax: 847-803-5454
www.chicagofaucets.com

FOR TECHNICAL ASSISTANCE
1-800-TEC-TRUE (1-800-832-8783)

REPAIR PARTS

BY: JAR DATE: 11-25-14
CHK: *JAR* REV: 05-06-15

FITTING NO.

EQ-B1_SERIES

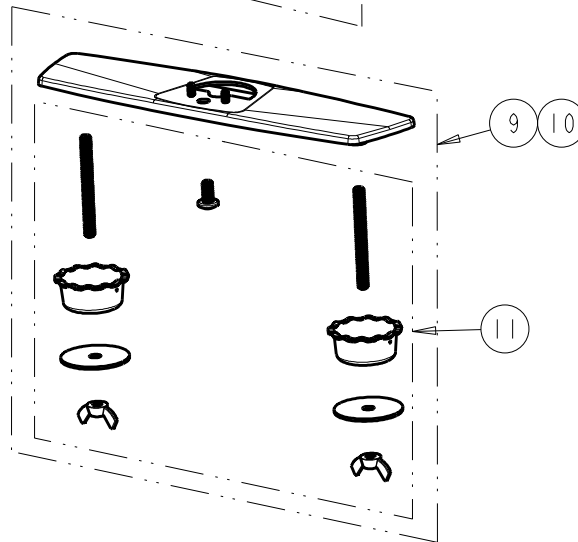
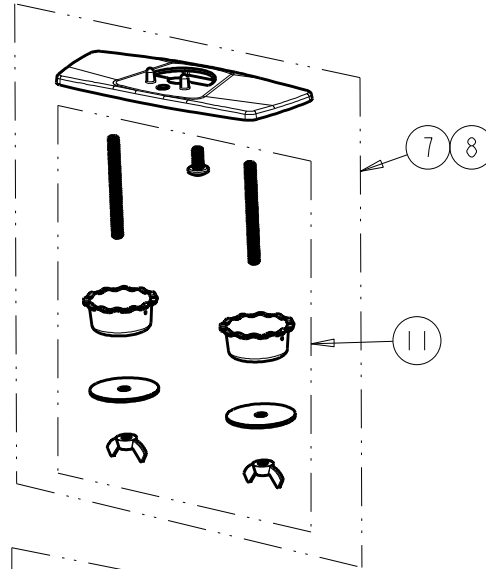
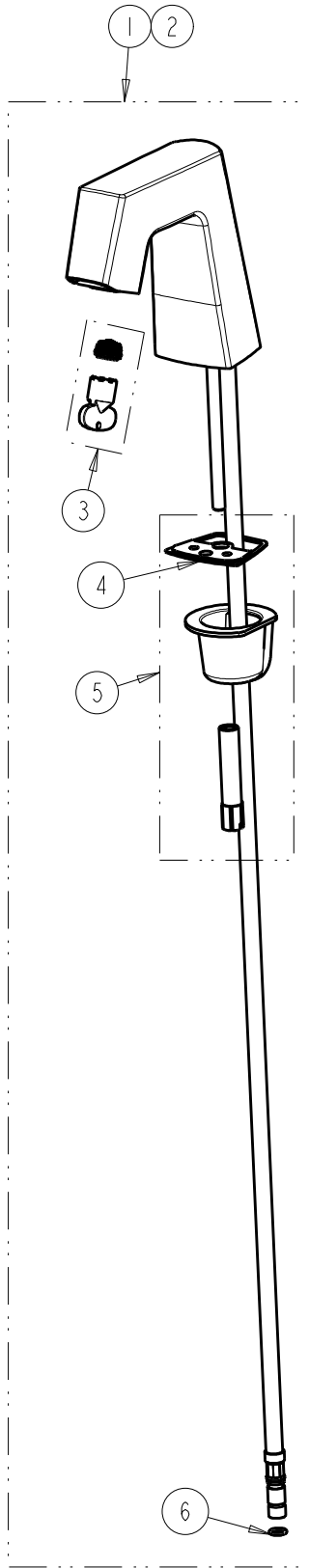
SUBMITTED MODEL NO.

ITEM NO.

FINISH OPTIONS

CP=CHROME PLATE

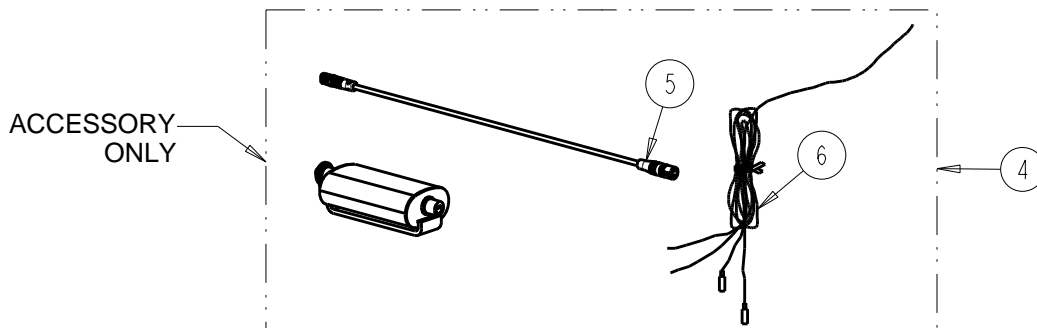
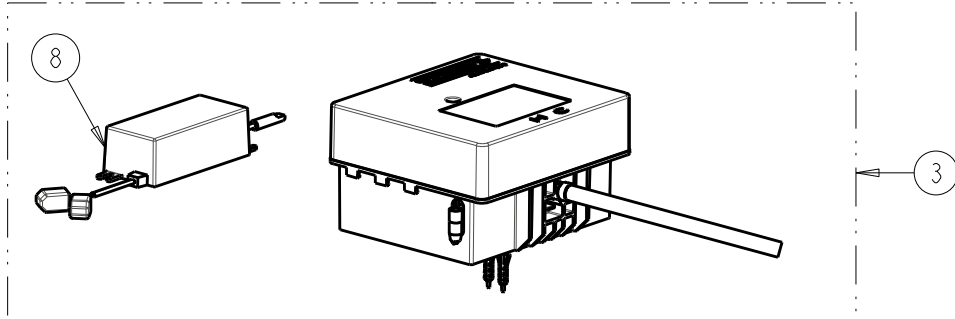
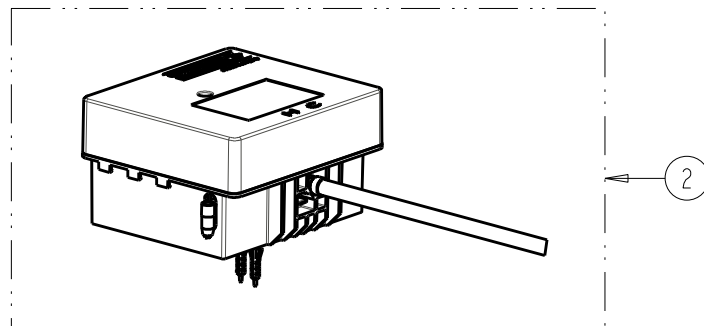
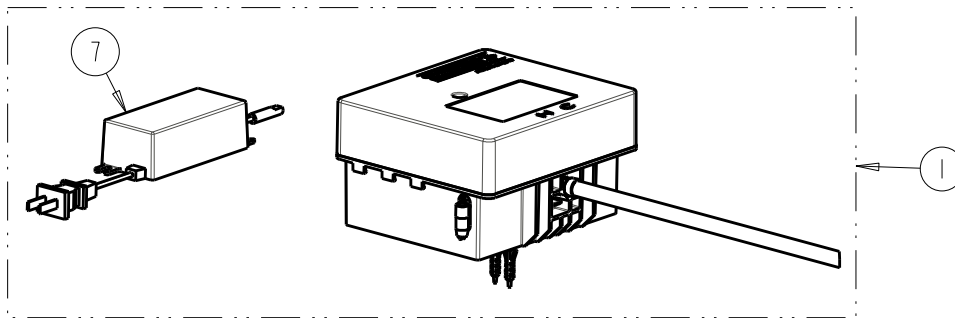
BN=BRUSHED NICKEL



NOTE:
ITEM 4 INCLUDES DECK GASKET FOR EACH SPOUT DESIGN AND HOSE O-RINGS.

ITEM	PART NO.	DESCRIPTION
1	EQ-B11A-KJKABCP	KIT, EQ SQUARE SPOUT w/ 0.5 GPM
2	EQ-B11A-KJKABBN	KIT, EQ SQUARE SPOUT w/ 0.5 GPM
3	243.145.AB.1	KIT, OUTLET FOR EQ 0.5 GPM
4	243.150.AB.1	KIT, SPOUT SEAL EQ SERIES
5	243.148.00.1	KIT, HARDWARE FOR EQ SQUARE SPOUT
6	-----	O-RING #011, DRINKING WATER COMPLIANT
7	EQ-B12-KJKCP	KIT, 4" COVER PLATE - EQ SQUARE
8	EQ-B12-KJKBN	KIT, 4" COVER PLATE - EQ SQUARE
9	EQ-B13-KJKCP	KIT, 8" COVER PLATE - EQ SQUARE
10	EQ-B13-KJKBN	KIT, 8" COVER PLATE - EQ SQUARE
11	243.181.00.1	KIT, HARDWARE FOR EQ COVER PLATES

FOR TECHNICAL ASSISTANCE
1-800-TEC-TRUE (1-800-832-8783)



ITEM	PART NO.	DESCRIPTION
1	EQ-31JKABNF	CONTROL BOX ASSY EQ IR ACPI SS NMIX
2	EQ-41JKABNF	CONTROL BOX ASSY EQ IR ACLP SS NMIX
3	EQ-51JKABNF	CONTROL BOX ASSY EQ IR ACHW SS NMIX
4	EQ-012JKNF	BROWN OUT AND CABLES FOR EQ
5	EQ-011JKNF	CABLE WITH CONNECTORS FOR EQ
6	EQ-010JKNF	CABLE WITH CONNECTORS 2M LONG FOR EQ
7	EQ-003JKNF	POWER SUPPLY-PLUG-IN FOR EQ
8	EQ-005JKNF	POWER SUPPLY-HARDWIRE FOR EQ