

## VERSATILE™ SHOWER SYSTEM

### Hand Held Shower Combination

**VS-1000-AF**



#### GENERAL SPECIFICATION

VS-100 handheld shower. Chrome plated brass supply ell with wall flange. 69" square lock stainless steel hose with rubber liner. Chrome plated brass in-line vacuum breaker. One wall mounted post for swivel connector. Water conserving pause button. Non-positive shut-off meets ICC/ANSI A117.1 SEC. 608.6 and ADAAG. Pressure compensating flow control reduces flow to 2.5 gpm/9.46 lpm maximum, to meet ASME A112.18.1/ CSA B125.1 standard.

#### VS-1000-AF

Versatile handheld shower combination. White finish.

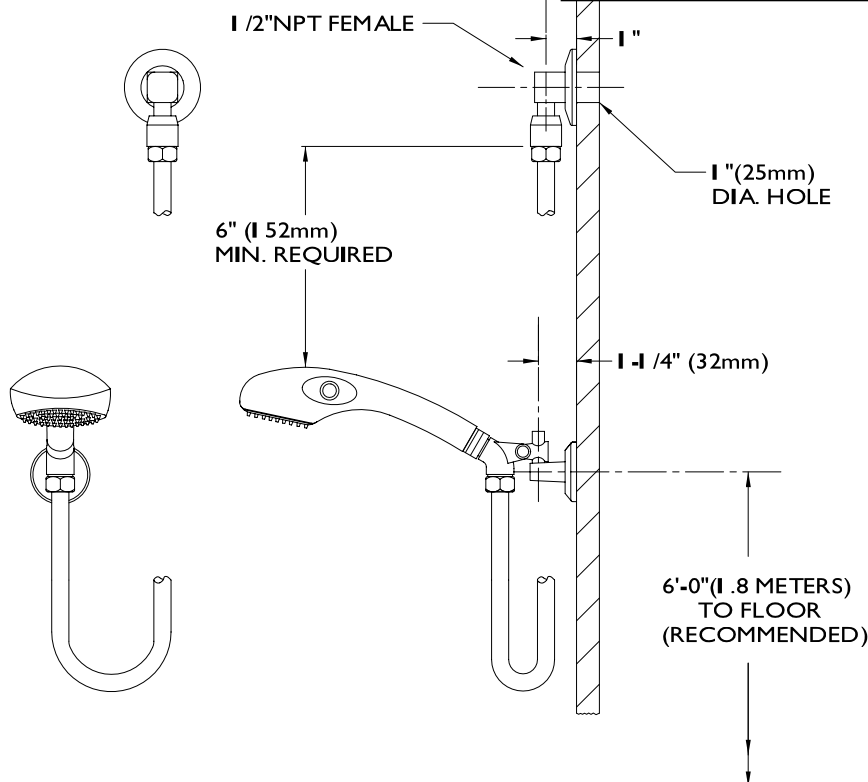
#### VS-1000-AF-PC

Versatile handheld shower combination. Polished chrome finish.

#### OPTIONS

SUFFIX	DESCRIPTION
--------	-------------

<input type="checkbox"/> VH	69" White vinyl hose
-----------------------------	----------------------



This space for Architect/Engineer approval.

