



a Geberit company

2100 South Clearwater Drive
Des Plaines, IL 60018
Phone: 847-803-5000
Fax: 847-803-5454
www.chicagofaucets.com

REPAIR PARTS

BY: JAR DATE: 12-17-14
CHK: *JR* REV: 06-17-15

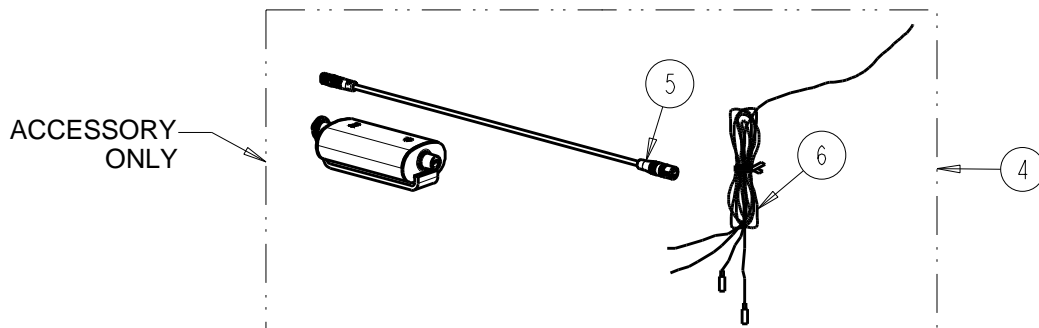
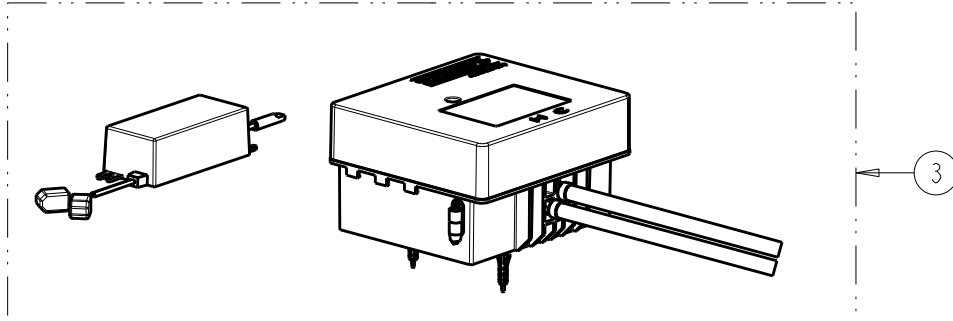
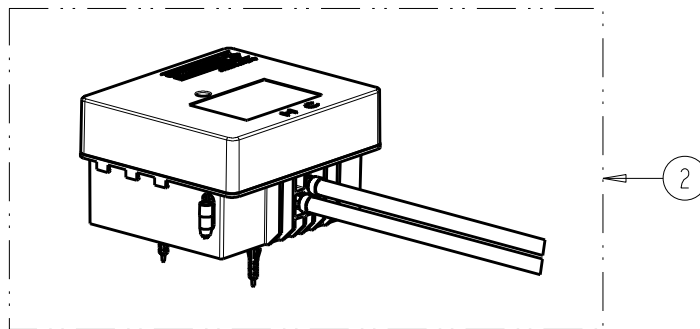
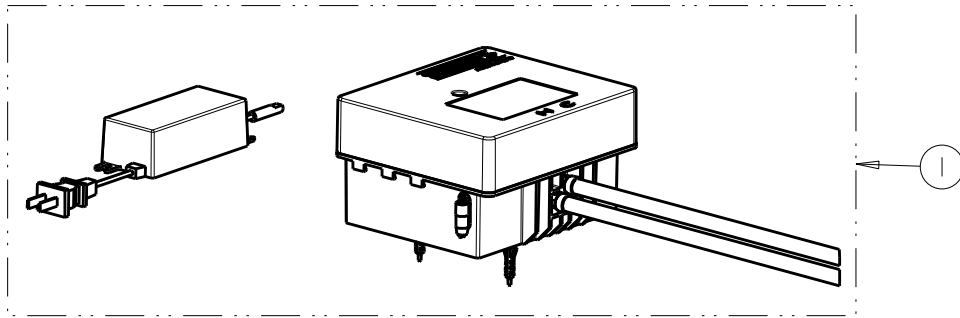
FITTING NO.

AC-1070-MIXER-JK

SUBMITTED MODEL NO.

ITEM NO.

FOR TECHNICAL ASSISTANCE
1-800-TEC-TRUE (1-800-832-8783)



ITEM	PART NO.	DESCRIPTION
1	EQ-33KJKABNF	CONTROL BOX ASSY EQ IR BATT ACPI 1070
2	EQ-43KJKABNF	CONTROL BOX ASSY EQ IR BATT ACLP 1070
3	EQ-53KJKABNF	CONTROL BOX ASSY EQ IR BATT ACHW 1070
4	EQ-012JKNF	BROWN OUT AND CABLES FOR EQ
5	EQ-011JKNF	CABLE WITH CONNECTORS FOR EQ
6	EQ-010JKNF	CABLE WITH CONNECTORS 2M LONG FOR EQ

CHICAGO FAUCETS 

a Geberit company

2100 South Clearwater Drive
Des Plaines, IL 60018
Phone: 847-803-5000
Fax: 847-803-5454
www.chicagofaucets.com

REPAIR PARTS

BY: JAR DATE: 12-17-14

CHK: REV: 06-17-15

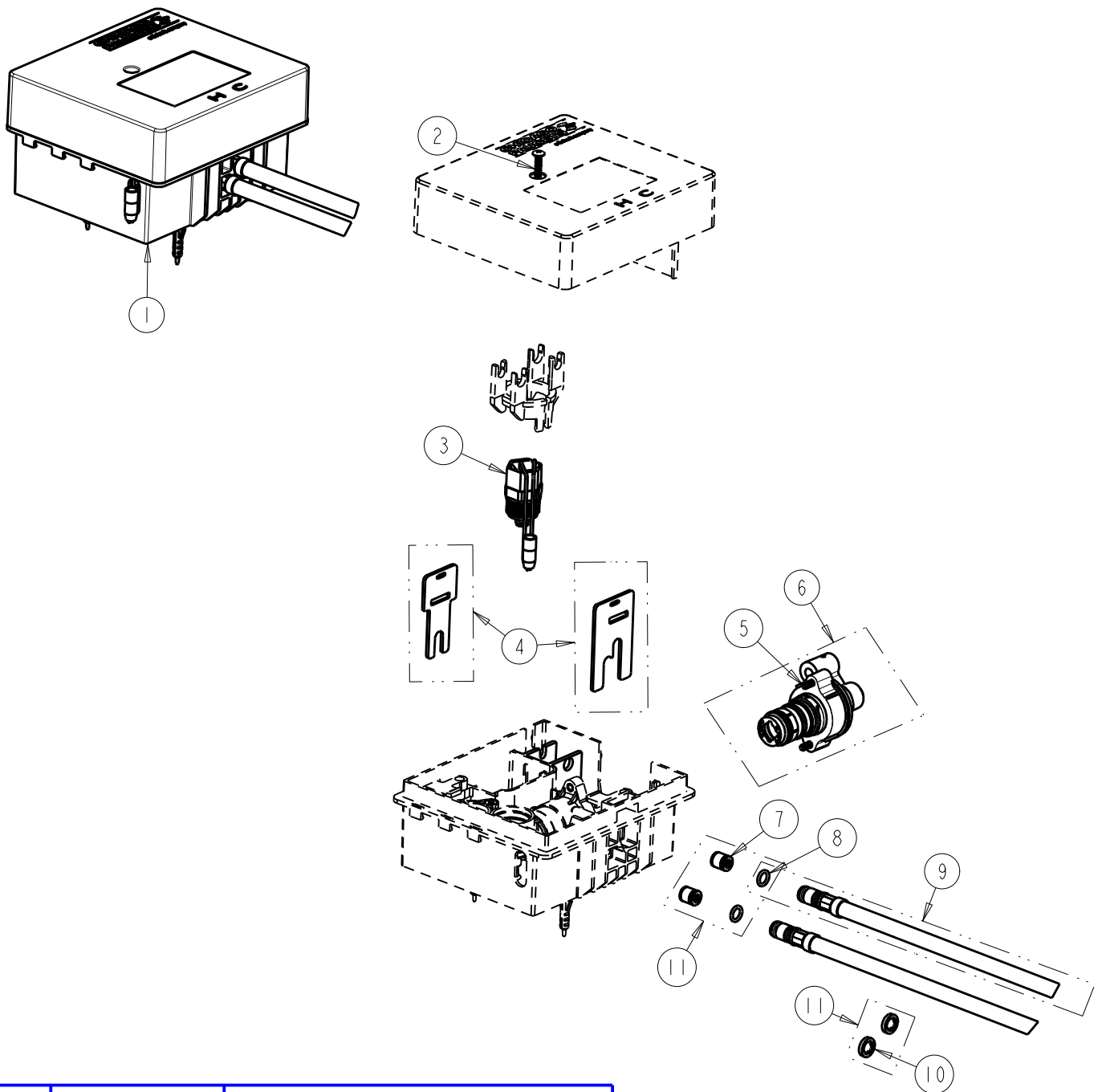
FITTING NO.

AC-1070-MIXER-JK

SUBMITTED MODEL NO.

ITEM NO.

FOR TECHNICAL ASSISTANCE
1-800-TEC-TRUE (1-800-832-8783)



ITEM	PART NO.	DESCRIPTION
1	EQ-43KJKABNF	CONTROL BOX ASSY EQ IR BATT ACLP 1070
2	-----	SCREW, #8 X 1-1/4" LONG PLASTITE TYPE
3	243.152.AB.1	SOLENOID VALVE, DN5
4	243.158.00.1	CONTROL BOX HARDWARE KIT FOR EQ
5	-----	BONNET HEX SCREW, M4x0.7x16mm
6	243.156.AB.1	REBUILD KIT FOR EQ DS 1070
7	550-009KJKABNF	CHECK-CARTRIDGE
8	-----	O-RING #011, DRINKING WATER COMPLIANT
9	243.157.AB.1	INLET SUPPLY HOSE FOR EQ
10	3300-005JKABNF	FILTER/SCREEN
11	243.159.AB.1	KIT, SEALS AND CHECKS FOR EQ