



SERVICE PARTS LIST

BULLETIN NO.
54-06-2120

SPECIFY CATALOG NO. AND SERIAL NO. WHEN ORDERING PARTS				REVISED BULLETIN	DATE
M18™ UTILITY BUCKET LIGHT					Oct. 2016
CATALOG NO.	2122-20	STARTING SERIAL NO.	H72A	WIRING INSTRUCTION	

EXAMPLE:

00	0
----	---

 Component Parts (Small #)
 Are Included When Ordering
 The Assembly (Large #).

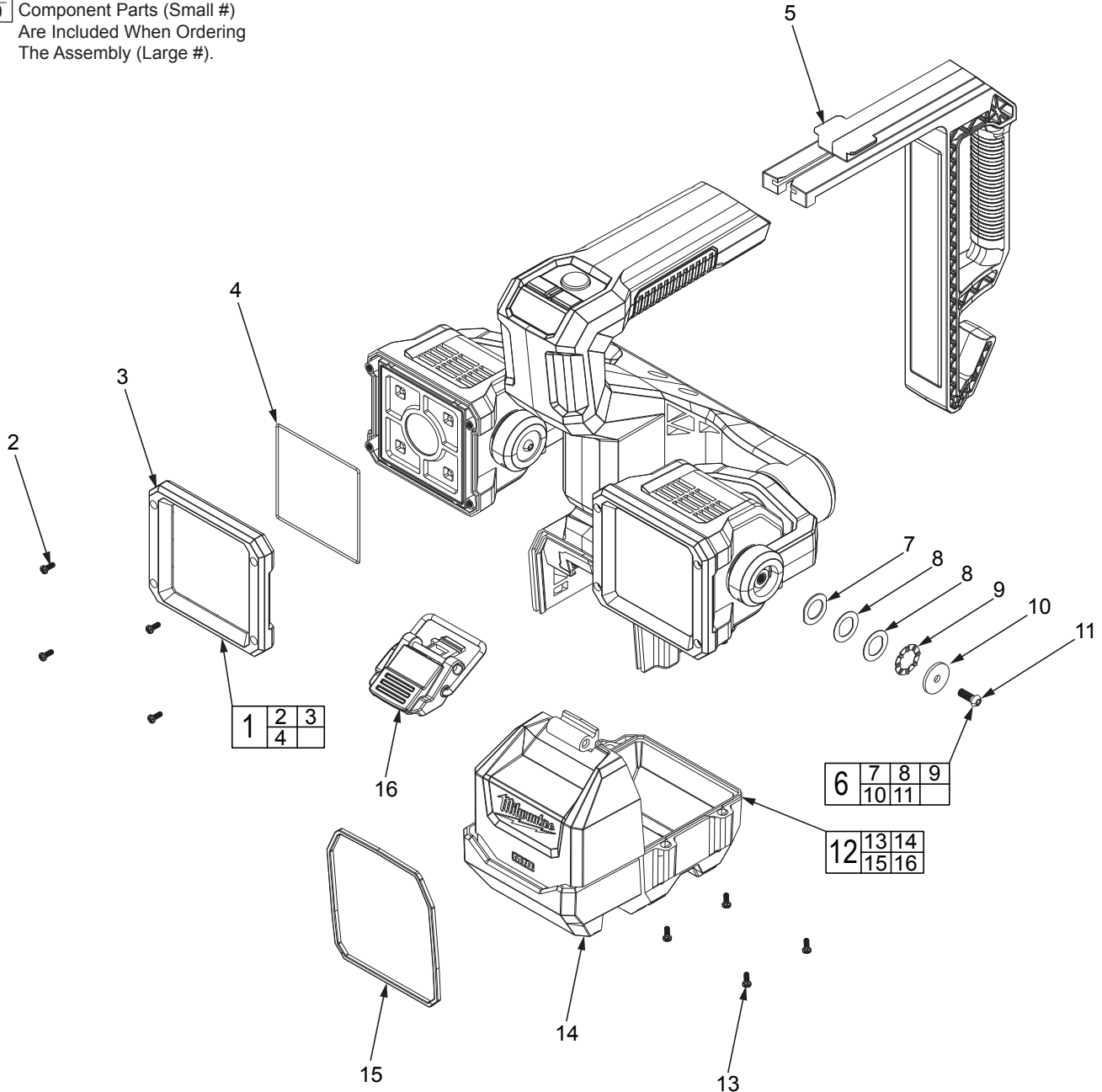


FIG.	PART NO.	DESCRIPTION OF PART	NO. REQ.
1	44-06-0185	Lens Kit	(1)
2	-----	M3 x 8 Screw	(4)
3	-----	Lens w/ Bracket	(1)
4	-----	Lens Gasket	(1)
5	14-34-0210	Handle Kit	(1)
6	45-88-1835	Washer Kit	(1)
7	-----	Washer A	(1)
8	-----	Washer B	(2)
9	-----	Washer C	(1)
10	-----	Washer D	(1)
11	-----	M5 x 12 Screw	(4)
12	31-21-0115	Battery Door Kit	(1)
13	-----	M5 x 16 Screw	(1)
14	-----	Battery Door	(1)

FIG.	PART NO.	DESCRIPTION OF PART	NO. REQ.
15	43-44-0095	Battery Door Gasket	(1)
16	42-68-0065	Buckle Kit	(1)
17	42-55-2122	Light Bag	(1)
18	12-20-2122	Service Nameplate (Not Shown)	(1)

FIG. NOTES
 18 A clean, dry surface is essential for proper performance for any adhesive system. The area intended for application of any adhesive label or nameplate must be prepared by cleaning with isopropyl alcohol. The solvent is to be applied with a clean, lint free applicator and the surface allowed to dry before applying the label or nameplate.