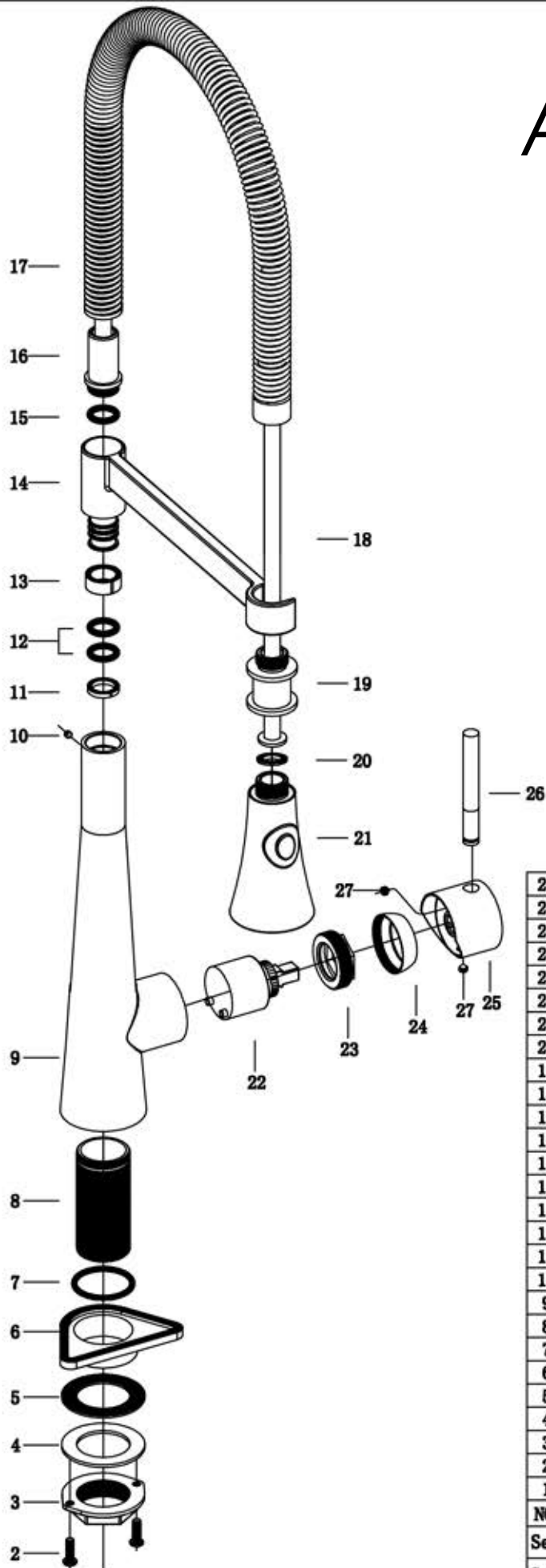


# AB2027



27	LS-050040N-A	screw	2	M5	L4	304	
26	V249	handle lever	1	∅10	L80	304	brushed
25	V103	handle cover	1	M5		304	brushed
24	V101	fixed cover	1	M37*1		304	brushed
23	V102	screw nut	1	M37*1		304	remove bar
22	K35A	cartridge	1	35#		ceramic	KEROX
21	DLT005	shower head	1	G1/2		304	brushed
20	PDP-186100320	rubber ring	1	∅18.6*∅10*3.2		dingqing	DVGW
19	GT2027-08	fixed sleeve	1	∅35	L38	POM	Black
18	GT2027-07	shower hose	1	M10*1		304	
17	GT2027-06/H	spring spout	1	∅24		304	brushed
16	GT2027-05/H	spout insert	1	∅24		304	brushed
15	OXQ-160250-NJ	O ring	1	∅16*2.5		dingqing	DVGW
14	GT2027-04/H	holder	1			304	brushed
13	GT2027-03	plastic ring	1	∅25	L8.6	plastic	White
12	OXQ-150030-NJ	O ring	2	∅15*3		dingqing	DVGW
11	GT2027-02	plastic ring	1	∅25	L5.9	plastic	White
10	LS-050040N-B	fixing screw	1	M5	L4	304	
9	GT2027-01/H	body	1	M37*1		304	brushed
8	V115	screw nut	1	M34*1.5	L73	304	welding
7	OXQ-450265-WJ	O ring	1	∅45*2.65		dingqing	Black
6	V814	plastic base	1	∅37.5		plastic	White
5	PDP-530340200	rubber ring	1	∅53*∅34*2		rubber	Black
4	V125	stainless steel gasket	1	∅53*∅34*1.5		304	
3	V122	screw nut	1	M34*1.5		304	
2	LS-050160S-B	screw	2	M5	L16	304	
1	JSG-G1/2M10500-1	flexible hoses	2	M10*1	L500	304	KTW
NO	Parts models	Name of parts	QTY	Specifications	Material	Remarks	
Series name		Drawing people		inspector			
Customer number		Factory number		GT2027	Date	2014-11-22	
Product name		Stainless steel sink mixer		Editions		A	