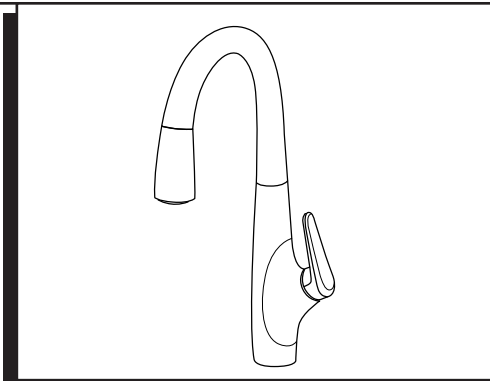


**AVERY™
PULL-DOWN
KITCHEN & BAR FAUCET**

4901.300
4901.410

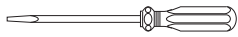
*Thank you for selecting American Standard...
the benchmark of fine quality for over 100 years.*

**To ensure that your installation proceeds smoothly-please read
these instructions carefully before you begin.**

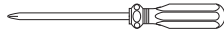


Certified to comply with ANSI A112.18.1M

RECOMMENDED TOOLS



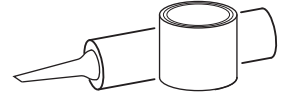
Flat Blade Screwdriver



Phillips Screwdriver



Adjustable Wrench



Plumbers' Putty or Caulking

1 INSTALL FAUCET WITH OR WITHOUT DECK ESCUTCHEON

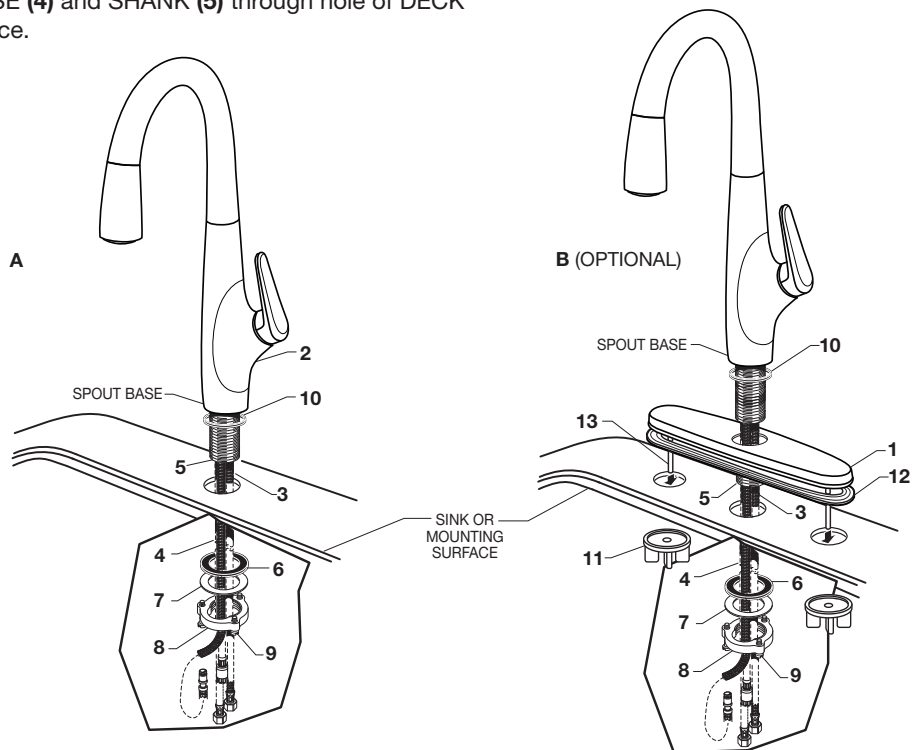
CAUTION Turn off water at main supply

(A) Installation less DECK ESCUTCHEON

- Make certain the SEAL (10) is properly seated in bottom recess of the SPOUT (2). Insert supply HOSES (3), SPRAY HOSE (4) and SHANK (5) through mounting hole and seat SPOUT BASE onto sink or mounting surface. **Do not use putty.**
- Insert HOSES (3) through RUBBER WASHER (6), BRASS WASHER (7), and threaded LOCKNUT (8).
- Assemble RUBBER WASHER (6), BRASS WASHER (7), and threaded LOCKNUT (8) onto SHANK (5) from underside of sink or mounting surface. Hand tighten LOCKNUT (8).
- Use a screwdriver to tighten SCREWS (9) on LOCKNUT (8). Work your way around LOCKNUT (8), tightening the screws slightly each time until all are snug to ensure even pressure.

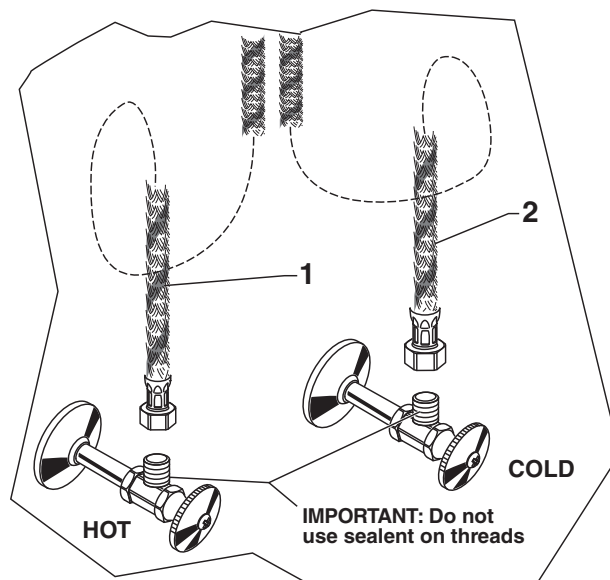
(B) Installation with DECK ESCUTCHEON (optional)

- Make certain the SEAL (10) is properly seated in top recess of DECK ESCUTCHEON (1) and SEAL (12) is properly seated in bottom recess of DECK ESCUTCHEON (1). **Do not use putty.**
- Screw in two THREAD RODS (13) onto bottom of DECK ESCUTCHEON (1).
- Insert SUPPLY HOSES (3), SPRAY HOSE (4) and SHANK (5) through hole of DECK ESCUTCHEON (1), and mounting surface.
- Follow mounting instructions above to secure faucet to mounting surface. Thread the MOUNTING NUTS (11) to secure DECK ESCUTCHEON.



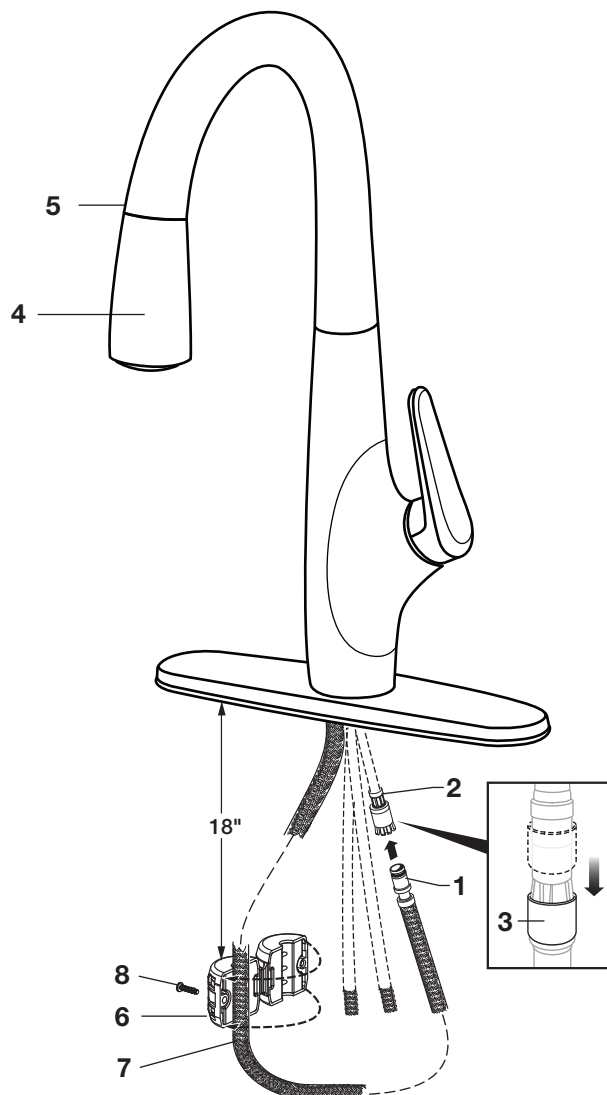
2 MAKE WATER SUPPLY CONNECTIONS

- Turn off hot and cold water supplies before beginning.
- Connect FLEXIBLE SUPPLY HOSES (1, 2) directly to wall supplies. Connection on fitting supplies are 3/8" compression. Connect left supply hose (Red Stripe) to Hot wall supply. Connect right supply hose (Blue Stripe) to Cold wall supply. Use adjustable wrench to tighten connections. Do not over tighten.
- * Faucet supplies are 35" long from faucet base.
- **Note: If additional supply length is required, installer must purchase additional parts separately.**
- **Important: If SUPPLY HOSES (1, 2) are too long, loop as illustrated to avoid kinking.**



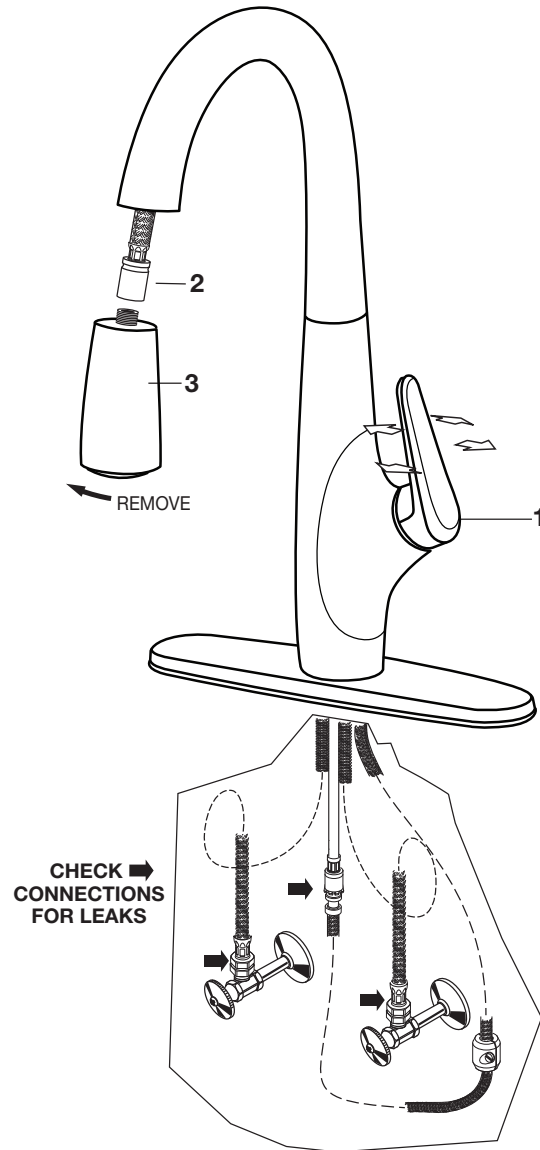
3 CONNECT SPRAY HOSE AND INSTALL WEIGHTS

- Push the SPRAY HOSE END (1) into the HOSE CONNECTOR (2) and slide down the LOCKING COLLAR (3) until it snaps into place.
- With HAND SPRAY (4) seated in SPOUT (5), install WEIGHT (6) at labeled area onto HOSE (7), secure with SCREW (8).



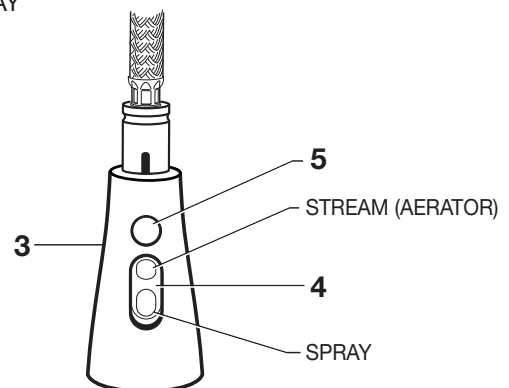
4 TEST INSTALLED FAUCET & CHECK CONNECTIONS FOR LEAKS

- Move HANDLE (1) into “off” position.
- Turn on water supplies and check connections for leaks. ➡
- With HANDLE (1) in “off” position, unthread SPRAY (3) from HOSE (2).
- Operate HANDLE (2) up and down, left and right to flush water lines thoroughly.
- Replace SPRAY (3) onto HOSE (2).
- Operate HAND SPRAY and check connections for leaks. ➡



5 SPRAY OPERATION

- With FAUCET on, press TOGGLE BUTTON (4) on SPRAY (3) to switch from stream to spray.
- Press and hold PAUSE BUTTON (5) to temporarily stop flow from SPRAY (3). Release PAUSE BUTTON (5) to resume flow from SPRAY (3).



6 SERVICE

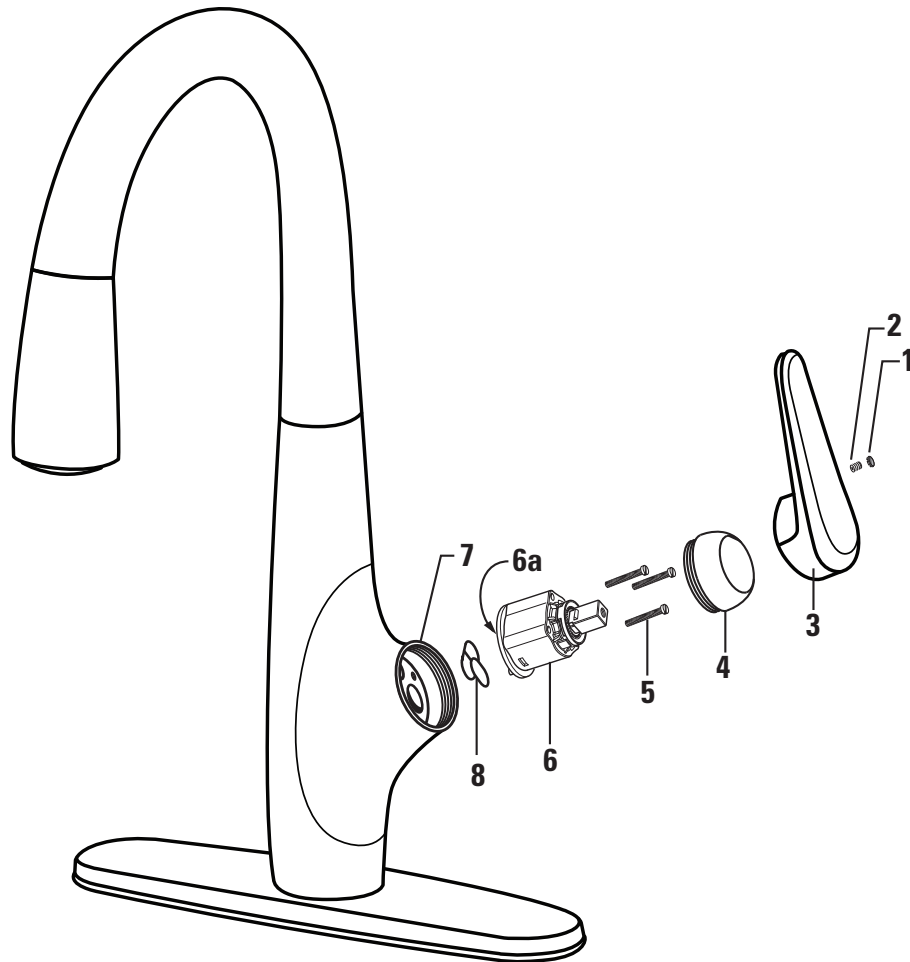
If Faucet Drips, Proceed As Follows:

- Turn VALVE to OFF position.
- Operate HANDLE several times from OFF to ON position. Do not apply excessive force.

Clogged CARTRIDGE outlets or inlets may cause reduced flow.

To clean, first turn off water supply then:

- Remove INDEX BUTTON (1), loosen HANDLE SCREW (2) and remove HANDLE (3).
- Unthread ESCUTCHEON CAP (4). Unthread three MOUNTING SCREWS (5).
- Lift CARTRIDGE (6) off MANIFOLD (7) and remove CARTRIDGE SEALS (8).
- Clean MANIFOLD (7), CARTRIDGE (6) ports and SEALS (8).
- Place SEALS (8) into CARTRIDGE PORTS (6a).
- Place CARTRIDGE (6) onto MANIFOLD (7) and tighten MOUNTING SCREWS (5) alternately.
- Replace ESCUTCHEON CAP (4), HANDLE (3), tighten HANDLE SCREW (2) and install INDEX BUTTON (1).



7 CARE:

DO: CLEAN WITH CLEAR WATER. DRY WITH A SOFT COTTON FLANNEL CLOTH.

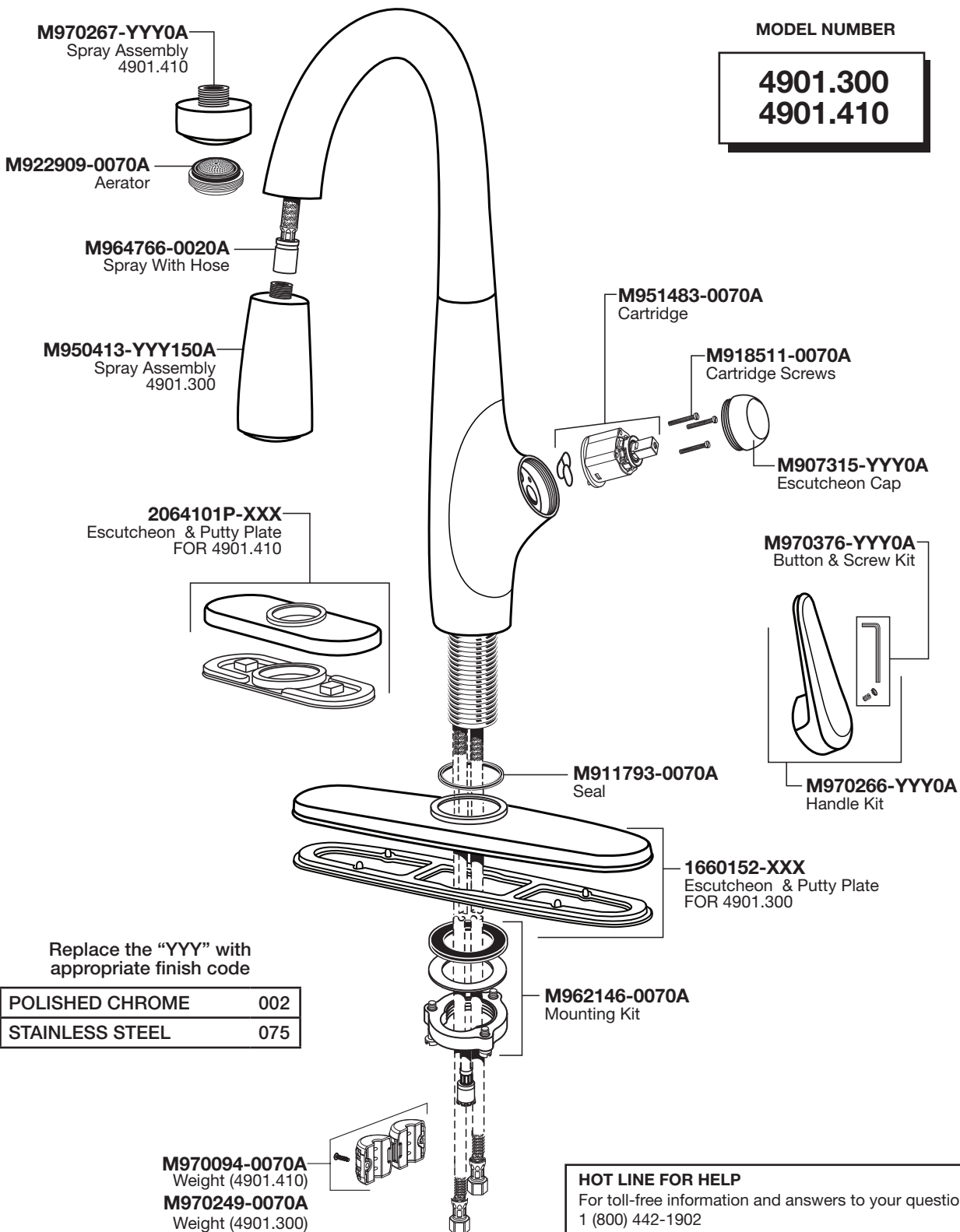
DO NOT: DO NOT CLEAN THE PRODUCT WITH SOAPS, ACID, POLISH, ABRASIVES, HARSH CLEANERS, OR A CLOTH WITH A COARSE SURFACE.

American Standard

AVERY™ PULL-DOWN KITCHEN & BAR FAUCET

MODEL NUMBER

4901.300
4901.410



Replace the "YYY" with appropriate finish code

POLISHED CHROME	002
STAINLESS STEEL	075

HOT LINE FOR HELP

For toll-free information and answers to your questions, call:
1 (800) 442-1902

Mon. - Fri. 8:00 a.m. to 8:00 p.m. EST
Saturday 10:00 a.m. to 4:00 p.m. EST

IN CANADA 1-800-387-0369
(TORONTO 1-905-306-1093)

Weekdays 8:00 a.m. to 7:00 p.m. EST

IN MEXICO 01-800-839-1200



PART OF LIXIL