

ELKAY[®]

SPECIFICATIONS

Lustertone[®] – Double Ledge Models DRKR and DRKRQ Series Models DRKAD and DRKADQ Series – A.D.A. Compliant

GENERAL

Lustertone sinks with rear faucet ledge and right or left side ledge. Highest quality sink bowl seamlessly formed of #18 gauge, type 304 (18-8) nickel bearing stainless steel. Self-rimming.

DESIGN FEATURES

DRKR(Q) Bowl Depth: 7-5/8".

DRKAD(Q) Bowl Depths: 4", 4-1/2", 5", 5-1/2", 6" or 6-1/2".

Coved Corners: 1-3/4" vertical and horizontal radius.

Bowl and Faucet Deck Recess: 3/16" below outside edge of sink.

Finish: Exposed surfaces are hand blended to a lustrous highlighted satin finish.

Underside: Fully undercoated to dampen sound and prevent condensation.

OTHER

DRKR(Q) Series and DRKAD(Q)2220 drain openings are 3-1/2" and centered in bowl as illustrated.

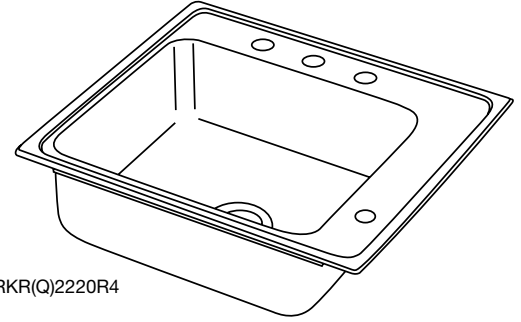
DRKAD(Q)2522 drain opening is 3-1/2" and located centered left-to-right and off-centered front-to-back as illustrated.

Slotted hole allows for vandal-resistant bubbler.

Suffix "L" (left) and "R" (right) denotes location of side ledge.

NOTE: Unless otherwise specified, sink is furnished with 4 faucet holes as shown.

These sinks comply with ANSI Standard A112.19.3M.



Model DRKR(Q)2220R4

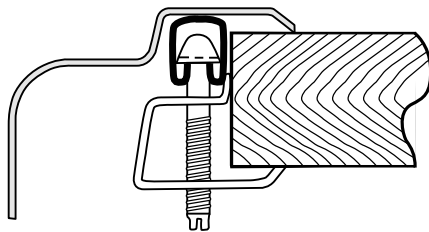
SINK DIMENSIONS (INCHES)*

| U-Channel Model Number | Quick-Clip [®] Model Number | Overall | | Inside Each Bowl | | | Cutout in Countertop (1 1/2" Radius Corners) | | No. of Faucet Holes (see back page) | 3 1/2" Drain Opening (see above for details) | Minimum Cabinet Size | Ship. Wt. Lbs. |
|------------------------|--------------------------------------|---------|--------|------------------|--------|-------|--|--------|-------------------------------------|--|----------------------|----------------|
| | | L | W | L | W | D | L | W | | | | |
| | | A | B | C | D | E | L | W | | | | |
| DRKR(Q) Series | | | | | | | | | | | | |
| DRKR2220L | DRKRQ2220L | 22 | 19 1/2 | 16 | 13 1/2 | 7 5/8 | 21 3/8 | 18 7/8 | 2, 3 or 4 | Centered | 27 | 14 |
| DRKR2220R | DRKRQ2220R | 22 | 19 1/2 | 16 | 13 1/2 | 7 5/8 | 21 3/8 | 18 7/8 | 2, 3 or 4 | Centered | 27 | 14 |
| DRKR2522L | DRKRQ2522L | 25 | 22 | 19 | 16 | 7 5/8 | 24 3/8 | 21 3/8 | 2, 3 or 4 | Centered | 30 | 16 |
| DRKR2522R | DRKRQ2522R | 25 | 22 | 19 | 16 | 7 5/8 | 24 3/8 | 21 3/8 | 2, 3 or 4 | Centered | 30 | 16 |
| DRKAD(Q) Series | | | | | | | | | | | | |
| DRKAD2220L | DRKADQ2220L | 22 | 19 1/2 | 16 | 13 1/2 | ** | 21 3/8 | 18 7/8 | 2, 3 or 4 | Centered | 27 | 14 |
| DRKAD2220R | DRKADQ2220R | 22 | 19 1/2 | 16 | 13 1/2 | ** | 21 3/8 | 18 7/8 | 2, 3 or 4 | Centered | 27 | 14 |
| DRKAD2522L | DRKADQ2522L | 25 | 22 | 19 | 16 | ** | 24 3/8 | 21 3/8 | 2, 3 or 4 | Off-Centered | 30 | 16 |
| DRKAD2522R | DRKADQ2522R | 25 | 22 | 19 | 16 | ** | 24 3/8 | 21 3/8 | 2, 3 or 4 | Off-Centered | 30 | 16 |

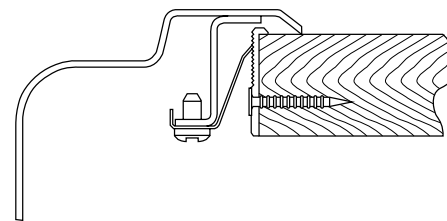
*Length is left to right. Width is front to back.

**Available in 4", 4-1/2", 5", 5-1/2", 6" and 6-1/2" depths. Please consult your sales representative for other depths or modifications.

U-Channel Type Mounting System



Quick-Clip[®] Mounting System

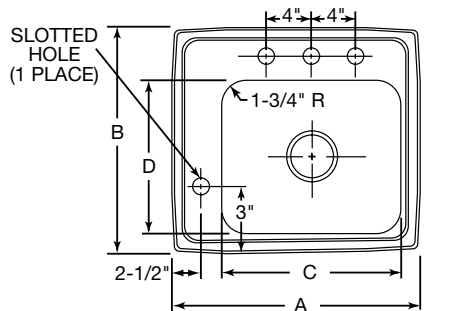


THIS PRODUCT, AS CONSTRUCTED IS SUBJECT TO INTERPRETATION OF A.D.A. REQUIREMENTS. THE UNOBSTRUCTED KNEE SPACE REQUIRED TO SATISFY A.D.A. STANDARDS MAY NOT BE DESIRABLE.

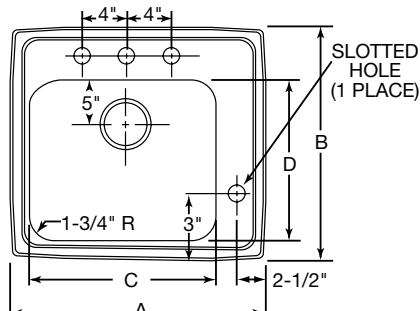
ALL DIMENSIONS IN INCHES, TO CONVERT TO MILLIMETERS MULTIPLY BY 25.4.

In keeping with our policy of continuing product improvement, Elkay reserves the right to change product specifications without notice.

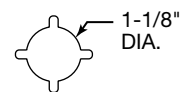
This specification describes an Elkay product with design, quality and functional benefits to the user. When making a comparison of other producers' offerings, be certain these features are not overlooked.



DRKR(Q)2220L4 Illustrated



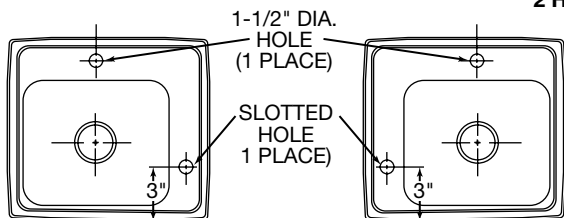
DRKAD(Q)2522R4 Illustrated



Slotted Hole

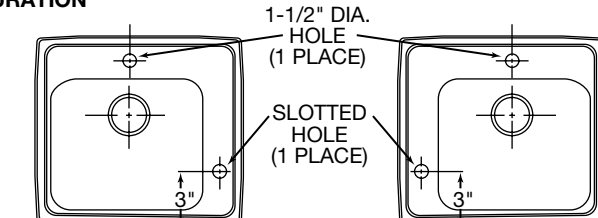
HOLE DRILLING CONFIGURATIONS

2 HOLE CONFIGURATION



MODELS DRKR(Q)2220R2
 DRKR(Q)2522R2
 DRKAD(Q)2220R**2

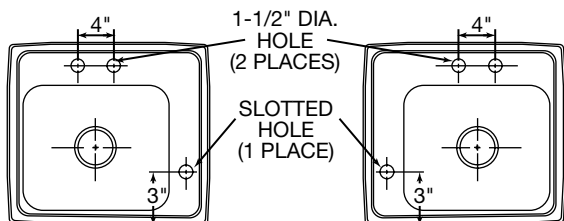
MODELS DRKR(Q)2220L2
 DRKR(Q)2522L2
 DRKAD(Q)2220L**2



MODEL DRKAD(Q)2522R**2

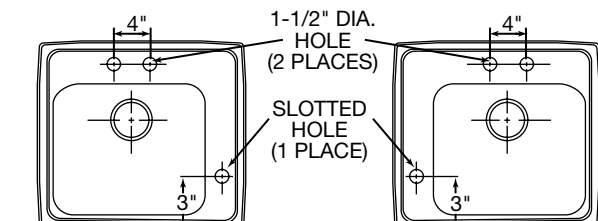
MODEL DRKAD(Q)2522L**2

3 HOLE CONFIGURATION



MODELS DRKR(Q)2220R3
 DRKR(Q)2522R3
 DRKAD(Q)2220R**3

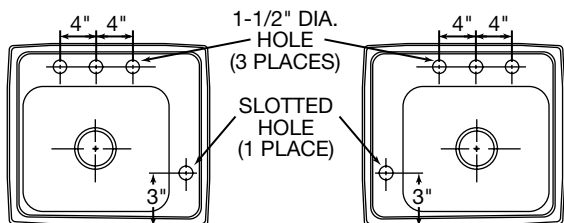
MODELS DRKR(Q)2220L3
 DRKR(Q)2522L3
 DRKAD(Q)2220L**3



MODEL DRKAD(Q)2522R**3

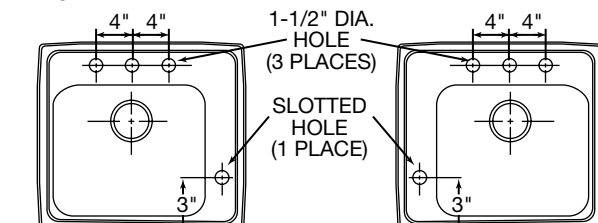
MODEL DRKAD(Q)2522L**3

4 HOLE CONFIGURATION



MODELS DRKR(Q)2220R4
 DRKR(Q)2522R4
 DRKAD(Q)2220R**4

MODELS DRKR(Q)2220L4
 DRKR(Q)2522L4
 DRKAD(Q)2220L**4



MODEL DRKAD(Q)2522R**4

MODEL DRKAD(Q)2522L**4

**= Bowl depths for ADA: 40=4", 45=4-1/2", 50=5", 55 = 5-1/2", 60 = 6", 65 = 6-1/2".