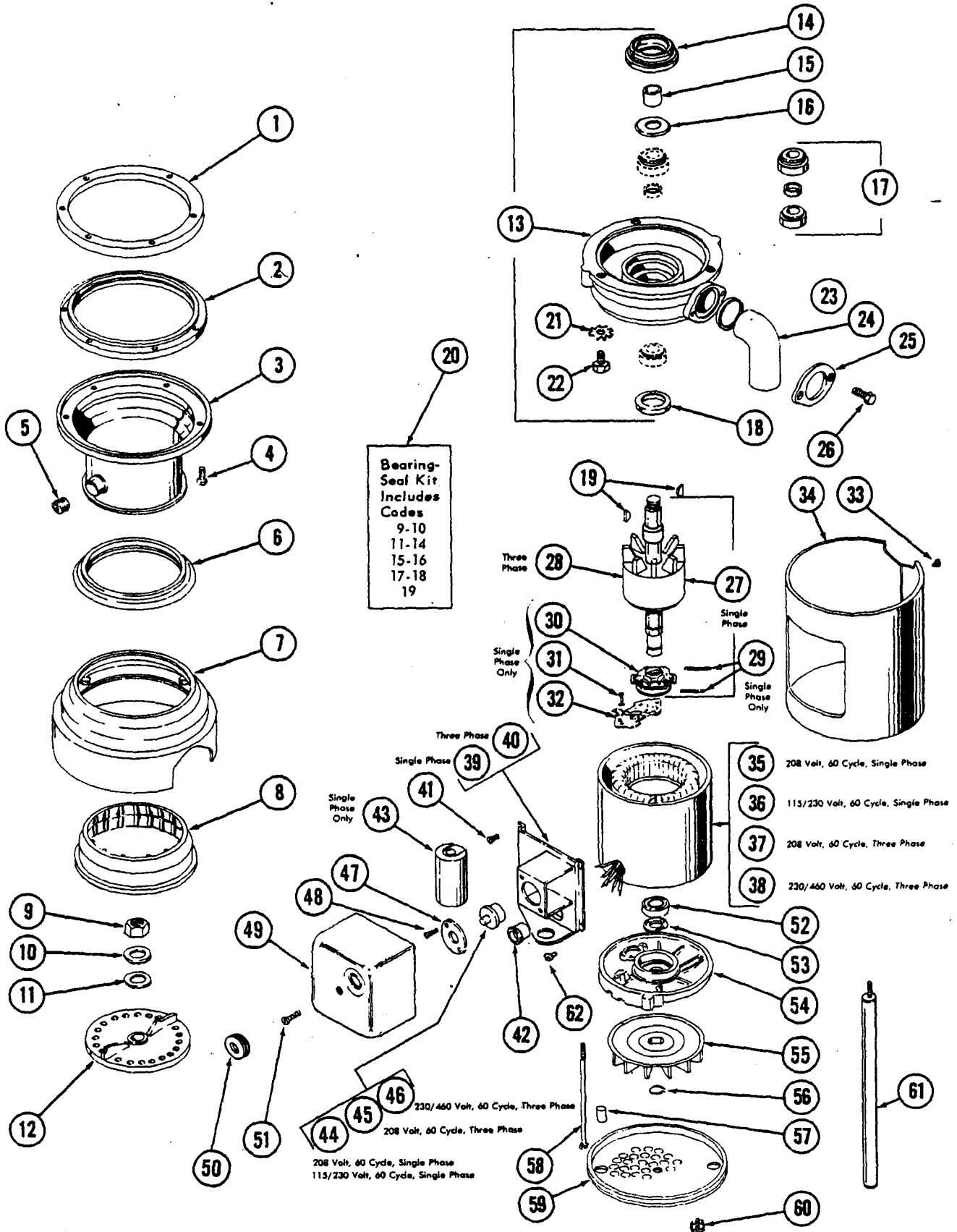


# PARTS LIST FOR COMMERCIAL DISPOSERS MODEL SS-125 IN-SINK-ERATOR® 1 1/4 H.P.

(Includes Models SS-125-L SS-125-2, SS-125-3)



ORDER BY PART NUMBER, NOT CODE NUMBER

(Minimum Parts Order \$3.00)

(ALL PARTS F.O.B. FACTORY/DEPOT) (INCLUDE SERIAL AND MODEL NUMBER OF DISPOSER WHEN ORDERING)

# PARTS LIST FOR COMMERCIAL DISPOSERS

## MODEL SS-125 IN-SINK-ERATOR® 1 1/4 H.P.

(Includes Models SS-125.1, SS-125.2, SS-125-3)

Code	Part No.	No.	Description	Code	Part No.	No.	Description
1	11004	1	Mounting Flange	35	123S1-H	1	Stator Assembly 208 Volt, 60 Cycle, Single Phase
2	11016	1	Gasket, Mounting	36	12351-C	1	Stator Assembly 115/230 Volt, 60 Cycle, Single Phase
3	11020-A	1	Body, Container	37	12S49-C	1	Stator Assembly 208 Volt, 60 Cycle, Three Phase
4	1491	6	Bolt, Mounting	38	12352-C	1	Stator Assembly 230/460 Volt. 60 Cycle, Three Phase
5	11227	1	Pipe Plug	39	12433	1	Terminal Box Mounting Bracket - Single Phase
6	11006	1	Seal, Body-Shredder	40	12433-E	1	Terminal Box Mounting Bracket - Three Phase
7	12442	1	Body and Cover Assembly	41	11448	4	Screw
8	11252-A	1	Stationary Shredder	42	12384	1	Bushing
9	11260	1	Nut, Shredder	43	11865	1	Capacitor - Single Phase Only
10	12445	1	Washer	44	11930	1	Overload Protector 208 Volt. 60 Cycle, Single Phase 115/230 Volt, 60 Cycle, Single Phase
11	12142	1	Washer, Fibre	45	12390	1	Overload Protector 208 Volt, 60 Cycle, Three Phase
12	12316	1	Rotor Shredder	46	12617	1	Overload Protector (Use above serial #43150 only) 230/460 Volt. 60 Cycle, Three Phase
13	12327	1	Upper End Bell • Includes Codes 14-16-17-18	46	12390	1	Overload Protector (Use below serial #43150 only) 230/460 Volt, 60 Cycle, Three Phase
14	12321	1	Face Seal	48	S765	2	Screw
15	12318	1	Spacer Sleeve	49	12372	1	Terminal Box
16	12319	1	Centrifugal Moisture Shield	50	12383	1	Grommet
17	12610	1	Bearing Assembly • Upper	51	12381	1	Screw
18	12326	1	Oil and Water Retainer	52	124)5	1	Bearing • Lower
19	11322	2	Woodruff Key	53	12399	1	Spring, Pre-load
20	126T1		Bearing - Seal Kit Includes ' Codes 9-10-11-14-15-16-17-18-19	54	12684	1	End Frame, Lower
21	11444	3	Washer	55	1239S	1	Fan
22	1491	3	Bolt	56	12635	1	Retaining Ring
23	1470	1	Washer. Tail Pipe	57	12490	3	Tube, Spacer
24	5417	1	Tail Pipe	58	11940	3	Bolt. Thru
25	1461	1	Flange • Toil Pipe	59	12396	1	Cover, Bottom
26	1461	2	Bolt • Tail Pipe	60	12586	2	Plug
27	12330-C		Rotor & Shaft Assembly (Includes Codes 29 & 30) 208 Volt, 60 Cycle, Single Phase & 115/230 Volt, 60 Cycle, Single Phase	61	11757-B	2	Leg (Optional)
28	12331-C		Rotor & Shaft Assembly 208 Volt, 60 Cycle, Three Phase & 230/460 Volt, 60 Cycle, Three Phase	62	12564	1	Ground Screw
29	1537	2	Spring • Centrifugal Switch				
30	12348	1	Centrifugal Switch				
31	7422	2	Screw				
32	12393	1	Start Switch				
33	5765	2	Screw				
34	12370	1	Shell • Trim				

ORDER BY PART NUMBER, NOT CODE NUMBER

(Minimum Parts Order \$3.00)

(All PARTS F.O.B. FACTORY/DEPOT) (INCLUDE SERIAL AND MODEL NUMBER OF DISPOSER WHEN ORDERING)



4700-21ST STREET  
RACINE, WISCONSIN 53406  
PHONE: (414) 637-6761

# ISE

IN-SINK-ERATOR

## COMMERCIAL DISPOSER

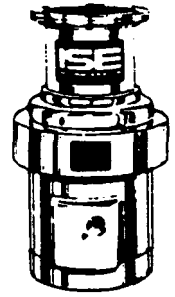
MODEL

SS-125-10 115/230/60/1  
 SS-125-11 208/60/1  
 SS-125-12 230/460/60/3  
 SS-125-13 208/60/3

CANADIAN

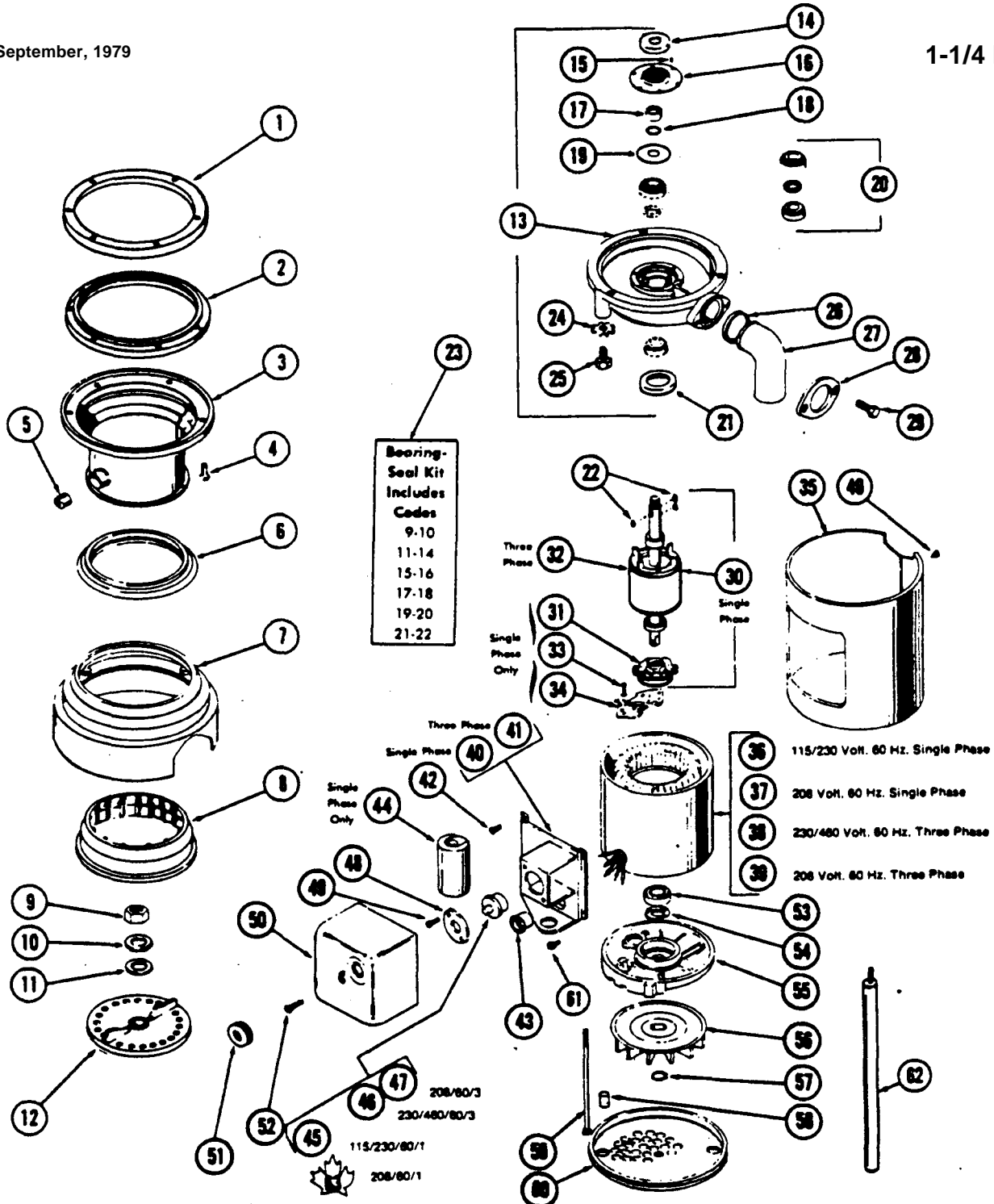
MODEL  
 SS-125-15  
 SS-125-16  
 SS-125-17  
 SS-125-18

Start with Serial #70.000



September, 1979

1-1/4 H.P.



ORDER BY PART NUMBER. NOT CODE NUMBER

(All Parts FOB Agency/Depot) (Include Serial and Model Number of Disposer when ordering)

		<b>CANADIAN</b>
<b>MODEL</b>		<b>MODEL</b>
<b>SS-125-10</b>	<b>115/230/60/1</b>	<b>SS-125-15</b>
<b>SS.125-11</b>	<b>208/60/1</b>	<b>SS-125-16</b>
<b>SS-125-12</b>	<b>230/460/60/3</b>	<b>SS-125-17</b>
<b>SS-125-13</b>	<b>208/60/3</b>	<b>8S-125-18</b>

Code No.	Part No.	No. Req.	Description	Code No.	Part No.	No. Req.	Description
1	11004	1	Mounting Flange	36	13075-H	1	Stator Assembly 115/230 Volt. 60 Hz, Single Phase
2	11016	1	Gasket, Mounting	37	13075-G	1	Stator Assembly 208 Volt. 60 Hz. Single Phase
3	11020-A	1	Body, Container	38	13077-D	1	Stator Assembly 230/460 Volt. 60 Hz, Three Phase
4	1491	6	Bolt, Mounting	39	13076-C	1	Stator Assembly 208 Volt, 60 Hz. Three Phase
5	11227	1	Pipe plug	40	12433	1	Terminal Box Mounting Bracket Single Phase
6	11006	1	Seal, Body-Shredder	41	12433-E	1	Terminal Box Mounting Bracket Three Phase
7	12442	1	Body and Cover Assembly	42	11448	4	Screw
8	11252-A	1	Stationary Shredder	43	12384	1	Bushing
9	11260	1	Nut, Shredder	44	11868	1	Capacitor (Single Phase only)
10	12445	1	Washer	45	11930	1	Overload Protector 208 Volt, 60 Hz, Single Phase
11	12142	1	Washer, Fibre	46	12617	1	Overload Protector 230/460 Volt, 60 Hz. Three Phase
12	12944	1	Rotor Shredder	47	12390	1	Overload Protector 208 Volt. 60 Hz, Three Phase
13	130«1	1	End Bell. Upper, Includes Codes 14 thru 21	48	12378	1	Damp, Overload
14	12936	1	Shield	49	5765	2	Screw
15	12937	6	Screw	50	12372	1	Terminal Box
16	12934.A	1	Seal Assembly	51	12383	1	Grommet
17	12935	1	Sleeve, Spacer	52	12381	1	Screw
18	12160	1	O'Ring	53	12415	1	Bearing. Lower
19	12319	1	Centrifugal Moisture Shield	54	12399	1	Spring, Pre-Load
20	12610	1	Bearing Assembly - Upper	55	12684	1	End Frame, lower
21	12326	1	Oil and Water Retainer	56	12395	1	Fan
22	11322	3	Woodruff Key	57	12635	1	Retaining Ring
23	13080	1	Bearing Seal Kit, Includes Codes 9, 10, 11, 14, 15, 16. 17, 18, 19, 20, 21, 22	58	12490	3	Tube, Spacer
24	11444	3	Washer	59	11940	3	Bolt. Thru
25	1491	3	Bolt	60	12396	1	Cover, Bottom
26	1470	1	Washer, Tail Pipe	61	12564	1	Ground Strew
27	5487	1	Tail Pipe	62	11757-B	2	Leg (Optional)
28	1461	1	Flange - Tail Pipe				<b>CANADIAN ONLY</b>
29	1468	2	Bolt - Tail Pipe	63	12929	1	Overload Protector 208 Volt. 60 Hz. Single Phase
30	12947-C	1	Rotor & Shaft Assembly Incl. Code #31 208 Volt, 60 Hz. Single Phase & 115/230 Volt, 60 Hz, Single Phase				
31	12954	1	Centrifugal Switch Assembly				
32	12948-C	1	Rotor & Shaft Assembly 208 Volt, 60 Hz. Three Phase 230/460, 60 Hz. Three Phase				
33	7422	2	Screw				
34	12393	1	Start Switch				
15	12370	1	Shell - Trim				



**11005**  
SPLASH BAFFLE





**11249**  
SLEEVE GUARD



**4173**  
JAM RELEASE BAR

**ORDER BY PART NUMBER, HOT CODE NUMBER**

(All Parts F.O.B. Agency/Depot) (Include Serial and Model Number of Disposer when ordering)

 <b>IN SINK ERATOR</b>	 <b>IN-SINK-ERATOR DIVISION</b> EMERSON ELECTRIC CO. 4700-21 ST STREET RACINE. WISCONSIN 53406 PHONE: (414) 554-5432
--	---

# ISE

## IN-SINK-ERATOR

### COMMERCIAL DISPOSER MODEL

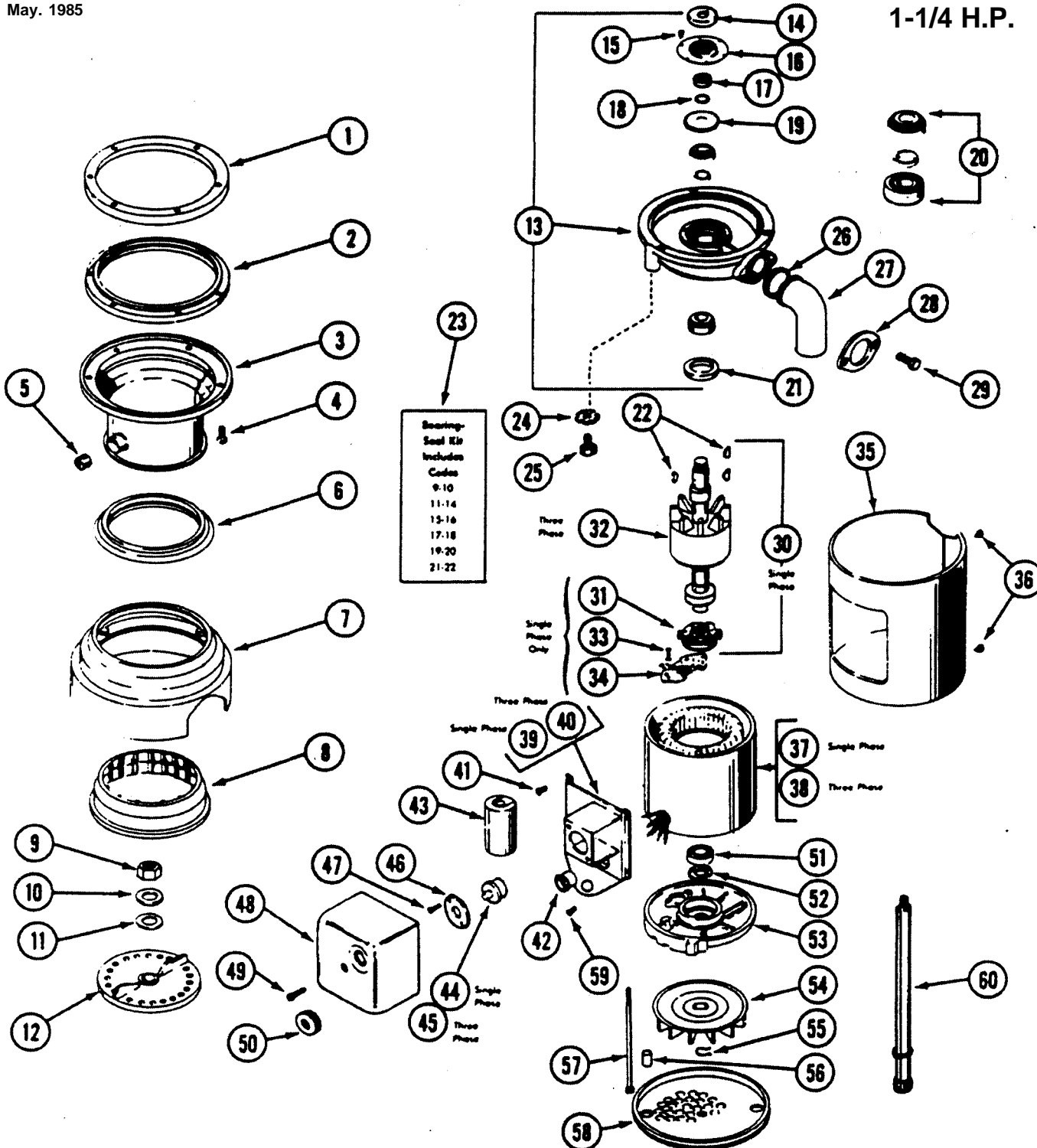
SS-125-21 115/208/230/60/1

SS-125-22 208/230/460/60/3



May, 1985

1-1/4 H.P.



ORDER BY PART NUMBER, NOT CODE NUMBER

(All Parts F.O.B. Agency/Depot) (Include Serial and Model Number of Disposer when ordering)

# IN-SINK-ERATOR

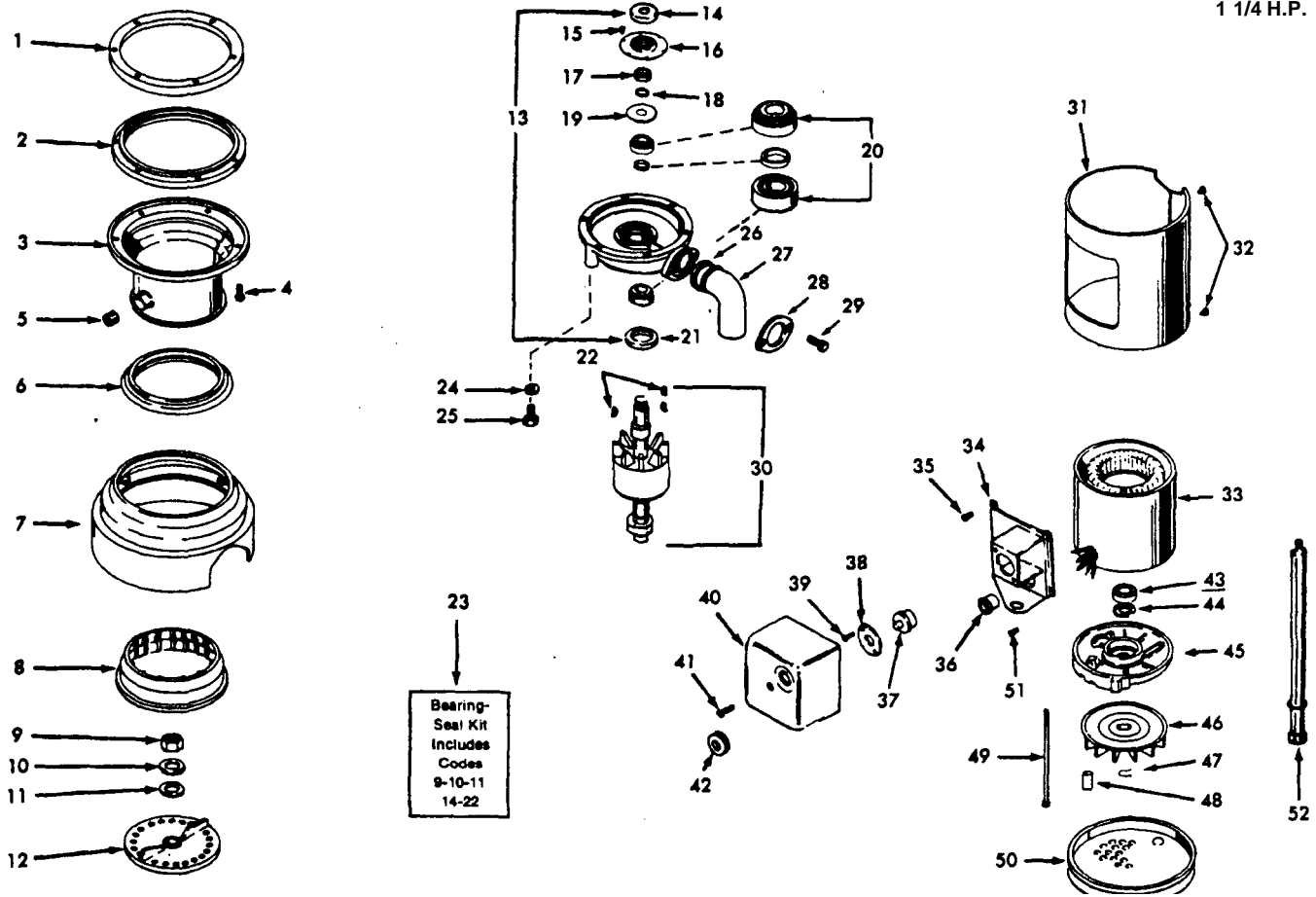
MODEL NO. SS125-22

U.S.A.  
(208-460/60/30)

7/87

Engineer Number:  
**13386A**

1 1/4 H.P.



**ORDER BY PART NUMBER. NOT CODE NUMBER**

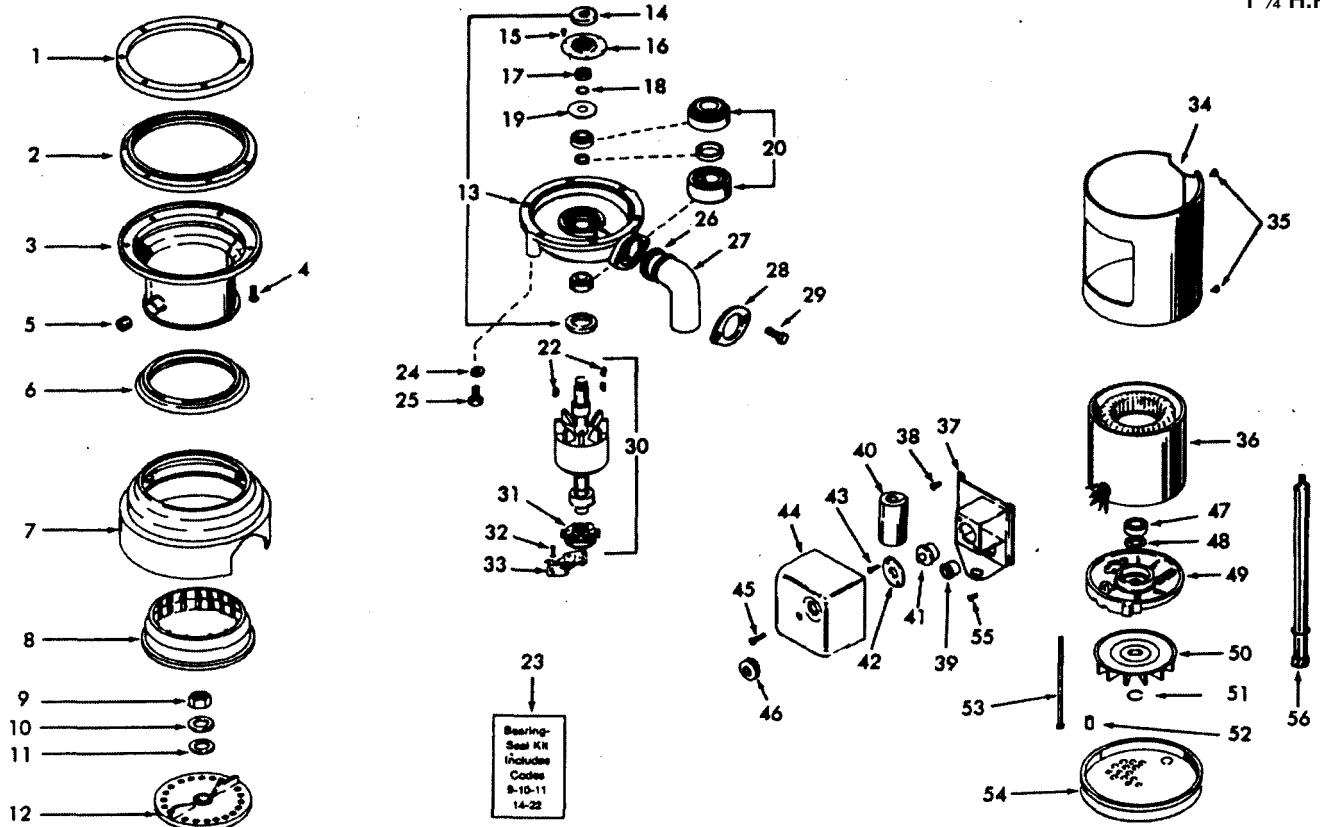
CODE NO.	PART NO.	NO. REQ.	DESCRIPTION	CODE NO.	PART NO.	NO. REQ.	DESCRIPTION
1	11004	1	Flange, Mounting	29	1468	2	Screw, Tailpipe
2	11016	1	Gasket, Mounting	30	12948-C	1	Rotor & Shaft Assy. (Three Phase)
3	11020-A	1	Body Assy. Upper				(Incl. Code 43)
4	1491	6	Screw, Mounting	31	12370	1	Trim, Band
5	11227	1	Pipe Plug	32	1836-A	2	Screw
6	11006	1	Gasket, Shredder	33	13077-D	1	Stator Assy. (Three Phase)
7	12442	1	Body & Cover Assy.	34	12433-E	1	Bracket, Terminal Box (Three Phase)
8	11252-A	1	Shredder, Stationary	35	11448	4	Screw
9	11260	1	Nut	36	12384	1	Bushing
10	12445	1	Washer	37	13422-AS	1	Overload, Protector (Three Phase)
11	12142	1	Washer, Fiber	38	12378	1	Clamp, Overload
12	12944	1	Shredder Assy. Rotor	39	5765	2	Screw, Tapping
13	13081	1	End Bell Any, Upper (Incl Codes 14 thru 22)	40	12372	1	Box, Terminal
14	12936	1	Shield	41	12381	1	Screw
15	1269	6	Screw, Tapping	42	12383	1	Grommet, Overload
16	12934-A	1	Seal Assy.	43	12415	1	Bearing, Lower
17	12935	1	Sleeve, Spacer	44	12399	1	Washer, Spring
18	12860	1	O-Ring	45	12684	1	End Frame, Lower
19	12319	1	Slinger	46	12395	1	Fan
20	12610	1	Bearing Assy. Upper	47	12635	1	Ring, Retaining
21	12326	1	Seal, Water & Oil	48	12490	3	Tube, Spacer
22	11322	3	Key, Woodruff	49	11940-A	3	Bolt, Thru
23	13080	1	Bearing Seal Kit (Incl. Codes 9-11 & 14 thru 22)	50	12396	1	Cover, Bottom
24	11444	3	Washer, Lock	51	2466-A	1	Screw, Ground
25	3135	3	Screw	52	11757-B	2	Tube Assy. Foot (Optional)
26	1470	1	Gasket, Tailpipe				
27	5487	1	Tailpipe				
28	1461	1	Flange, Tailpipe				

# IN-SINK-ERATOR

COMMERCIAL DISPOSER  
**MODEL NO. SS125-23**  
 CANADIAN  
 (115/208-230/60/10)

Start Date:  
 7/87  
 Engineer Number:  
 13386B

1 1/4 H.P.



## ORDER BY PART NUMBER, NOT CODE NUMBER

CODE NO.	PART NO.	NO. REQ.	DESCRIPTION	CODE NO.	PART NO.	NO. REQ.	DESCRIPTION
1	11004	1	Flange, Mounting	31	12954	1	Centrifugal Actuator (Single Phase Only)
2	11016	1	Gasket, Mounting	32	8221	2	Screw
3	11020-A	1	Body Assy. Upper	33	12393	1	Switch, Start (Single Phase Only)
4	1491	1	Screw, Mounting	34	12370	1	Trim, Band
5	11227	1	Pipe Plug	35	1836-A	2	Screw
6	11006	1	Gasket, Shredder	36	13075-H	1	Stator Assy. (Single Phase)
7	12442	1	Body & Cover Assy.	37	12433	1	Bracket Assy. (Mounting) (Single Phase)
8	11252-A	1	Shredder, Stationary	38	11448	4	Screw
9	11260	1	Nut	39	12384	1	Bushing
10	12445	1	Washer	40	11868	1	Capacitor (Single Phase Only)
11	12142	1	Washer, Fiber	41	13422-E	1	Overload, Protector (Single Phase)
12	12944	1	Shredder Assy. Rotor	42	12378	1	Clamp, Overload
13	13081	1	End Bell Assy. Upper (Incl. Codes 14 thru 22)	43	5765	2	Screw, Tapping
14	12936	1	Shield	44	12372	1	Box, Terminal
15	1269	6	Screw, Tapping	45	12381	1	Screw
16	12934-A	1	Seal Assy	46	12383	1	Grommet, Overload
17	12935	1	Sleeve, Spacer	47	12415	1	Bearing, Lower
18	12860	1	O-Ring	48	12399	1	Washer, Spring
19	12319	1	Slinger	49	12684	1	End Frame, Lower
20	12610	1	Bearing Assy. Upper	50	12395	1	Fan
21	12326	1	Seal, Water & Oil	51	12635	1	Ring, Retaining
22	11322	3	Key, Woodruff	52	12490	3	Tube, Spacer
23	13080	1	Bearing Seal Kit (Incl. Codes 9-11 & 14 thru 22)	53	11940-A	3	Bolt, Thru
24	11444	3	Washer, Lock	54	12396	1	Cover, Bottom
25	3135	3	Screw	55	2400-A	1	Screw, Ground
26	1470	1	Gasket, Tailpipe	56	11757-B	2	Tube Assy. Foot (Optional)
27	5487	1	Tailpipe				
28	1461	1	Flange, Tailpipe				
29	1468	2	Screw, Tailpipe				
30	12947-C	1	Rotor & Shaft Assy. (Single Phase) (Incl. Codes 31 & 47)				

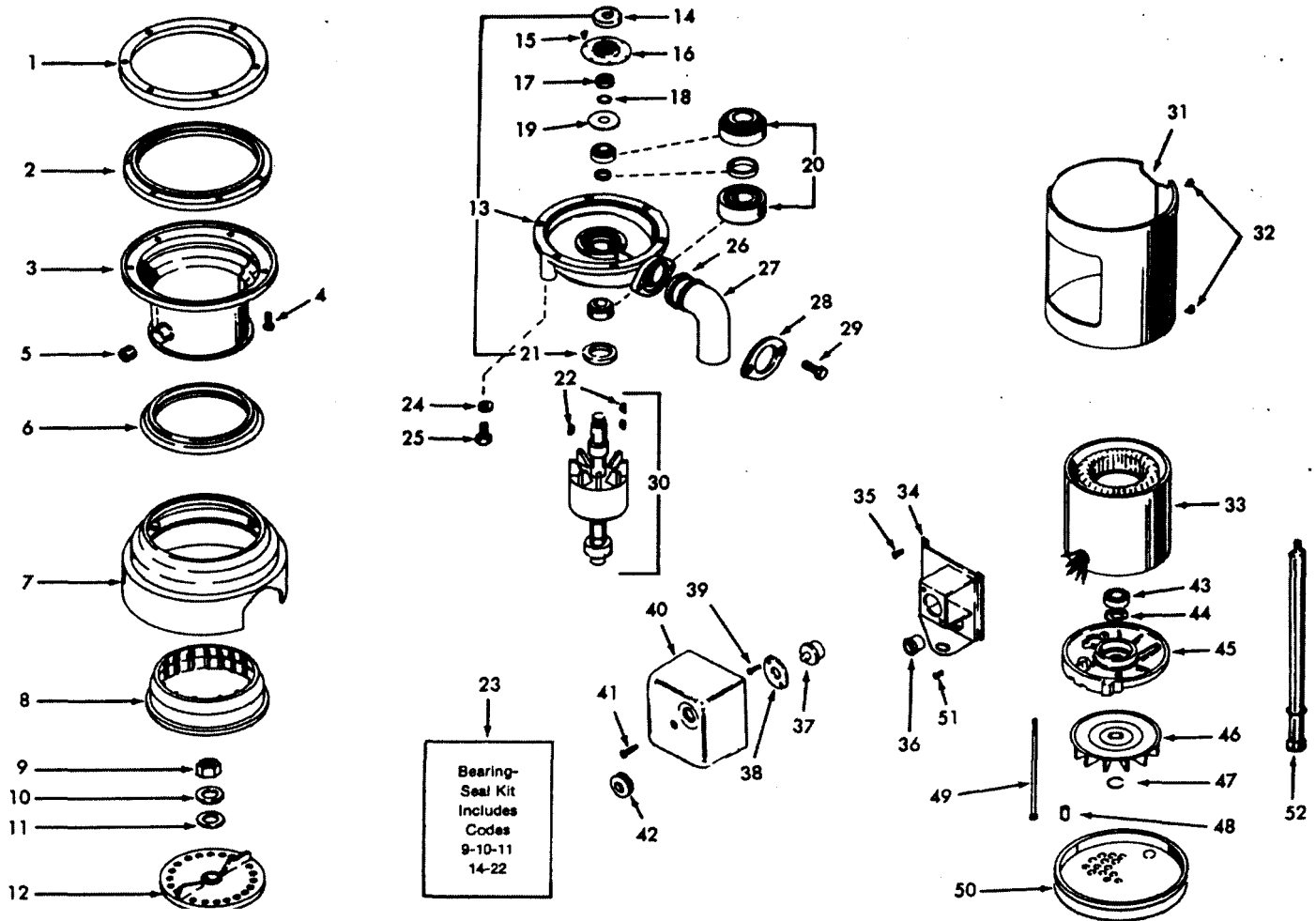
# IN-SINK-ERATOR

COMMERCIAL DISPOSER  
MODEL NO. SS125-24

CANADIAN  
(208-230/460/60/30)

Start Of:  
7/87

Engineer Number  
13386C

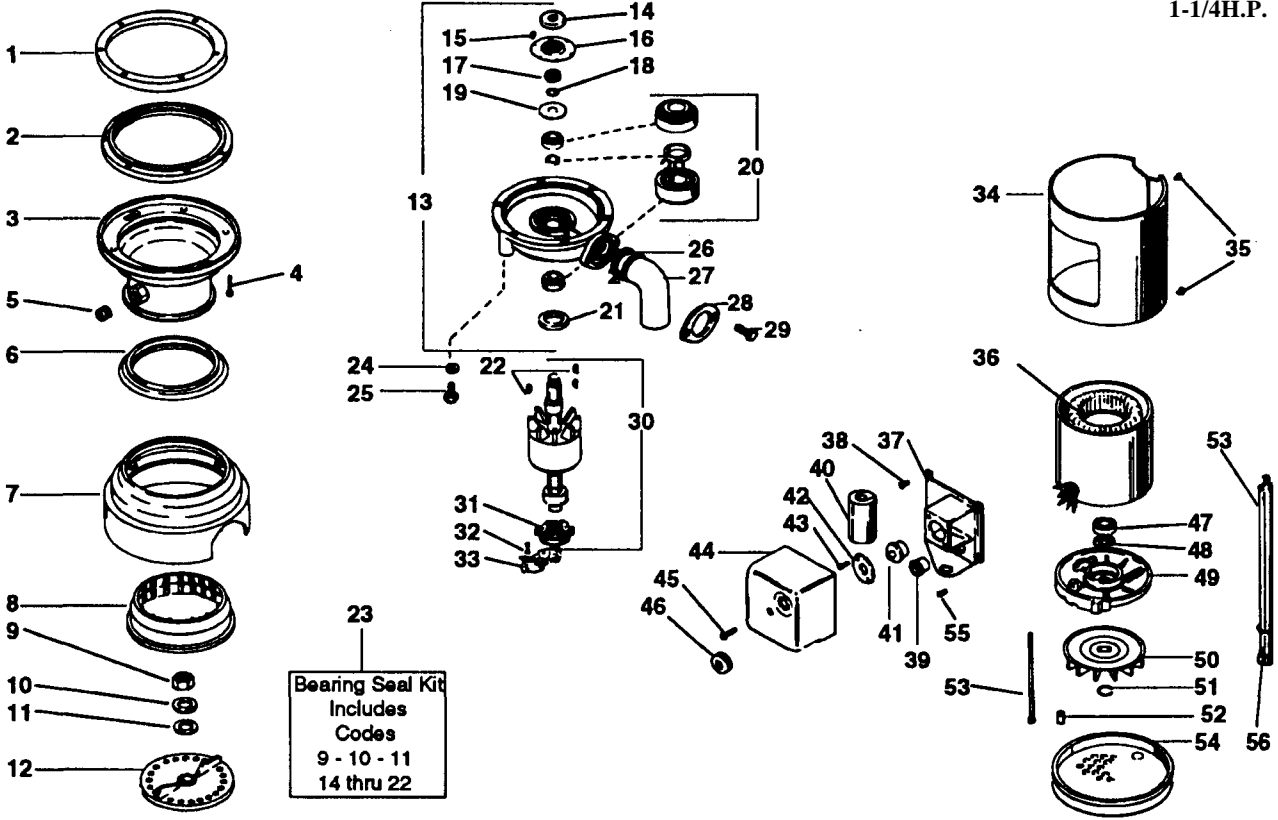


**ORDER BY PART NUMBER, NOT CODE NUMBER**

CODE NO.	PART NO.	NO. REQ.	DESCRIPTION	CODE NO.	PART NO.	NO. REQ.	DESCRIPTION
1	11004	1	Flange, Mounting	29	1468	2	Screw, Tailpipe
2	110)6	1	Gasket, Mounting	30	12948-C	1	Rotor & Shaft Assy
3	11020-A	1	Body Assy, Upper				(Three Phase)
4	1491	6	Screw, Mounting				(Incl. Code 43)
5	11227	1	Pipe Plug	31	12370	1	Trim, Band
6	11006	1	Gasket, Shredder	32	1836-A	2	Screw
7	12442	1	Body & Cover Assy	33	13077-0	1	Stator Assy
8	11252-A	1	Shredder, Stationary				(Three Phase)
9	11260	1	Nut	34	12433-E	1	Bracket, Terminal Box
10	12445	1	Washer				(Three Phase)
n	12142	1	Washer, Fiber	35	11448	4	Screw
12	12944	1	Shredder Assy, Rotor	36	12384	1	Bushing
13	13081	1	End Bell Assy, Upper (Incl. Codes 14 thru 22)	37	13422-AS	1	Overload, Protector
14	12936	1	Shield				(Three Phase)
15	1269	6	Screw, Tapping	38	12378	1	Clamp, Overload
16	12934-A	1	Seal Assy	39	5765	2	Screw, Tapping
17	12935	1	Sleeve, Spacer	40	12372	1	Box, Terminal
18	12860	1	O-Ring	41	12381	1	Screw
19	12319	1	Slinger	42	12383	1	Grommet, Overload
20	12610	1	Bearing Assy, Upper	43	12415	1	Bearing, Lower
21	12326	1	Seal, Water & Oil	44	12399	1	Washer, Spring
22	11322	3	Key, Woodruff	45	12684	1	End Frame, Lower
23	13080	1	Bearing Seal Kit (Incl. Codes 9-11 & 14 thru 22)	46	12395	1	Fan
24	11444	3	Washer, Lock	47	12635	1	Ring, Retaining
25	3135	3	Screw	48	12490	3	Tube, Spacer
26	1470	1	Gasket, Tailpipe	49	11940-A	3	Bolt, Thru
27	5487	1	Tailpipe	50	12396	1	Cover, Bottom
28	1461	1	Flange, Tailpipe	51	2466-A	1	Screw, Ground
				52	11757-B	2	Tube Assy, Foot (Optional)



1-1/4H.P.



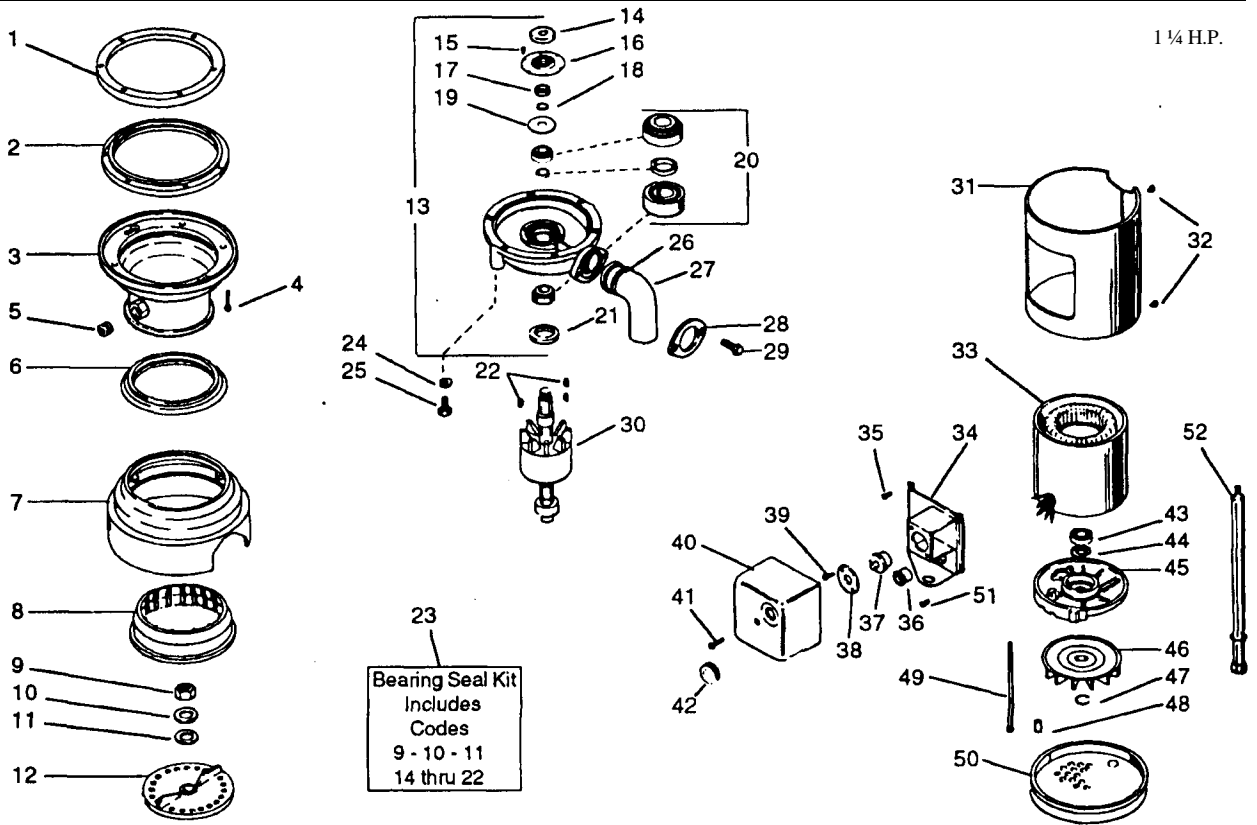
**ORDER BY PART NUMBER. NOT CODE NUMBER**

CODE NO.	PART NO.	NO. REQ.	DESCRIPTION	CODE	PART NO.	NO. REQ.	DESCRIPTION
1	11004	1	Flange, Mounting	31	13708	1	Centrifugal Actuator
2	11016	1	Gasket, Mounting	32	8221	2	Screw (8-32x1/2)
3	11020-A	1	Body, Assy, Upper	33	13707	1	Switch, Start
4	1491	6	Screw (1/4-20x3/4)	34	12370	1	Trim Band
5	11227	1	Plug, Pipe	35	1636-A	2	Screw (8-32x1/2)
6	11006	1	Gasket, Shredder	36	13713-C	1	Staler Assy
7	12442	1	Assy, Body & Cover	37	12433	1	Bracket Assy (Mounting)
8	11252-A	1	Shredder, Stationary	38	11448	4	Screw (8-18x1/4)
9	11260	1	Nut	39	12384	1	Bushing
10	12445	1	Washer	40	11868	1	Capacitor
11	12142	1	Washer, Fiber	41	13422-BC	1	Overload Protector
12	12944	1	Assy, Rotor Shredder	42	12378	1	Clamp, Overload
13	13722	1	Assy, Upper End Bell (Incl. Codes 14-22)	43	8221	2	Screw (8-32x1/2)
14	12936	1	Shield	44	13396	1	Box, Terminal Assy (Incl. code 46)
15	1269	6	Screw (8-18x1/2)	45	12381	1	Screw (8-32x1-1/4)
16	12934-A	1	Assy, Seal	46	12383	1	Grommet, Overload
17	12935	1	Sleeve, Spacer	47	13709	1	Bearing, Lower
18	12860	1	O-Ring	48	13678	1	Spring, Pre-load
19	12319	1	Slinger	49	13747	1	End Frame, Lower
20	12610	1	Assy, Upper Bearing	50	13676	1	Fan
21	12326	1	Seal, Water & Oil	51	13677	1	Ring, Retaining
22	11322	3	Key, Woodruff	52	12490	3	Tube, Spacer
23	13080	1	Kit, Bearing Seal (Incl. codes 9-11 & 14-22)	53	11940-A	3	Bolt, Thru
24	11444	3	Washer, Lock	54	12396	1	Cover, Bottom
25	3135	3	Screw (1/4-20x1)	55	2466-A	1	Screw, Ground
26	1470	1	Gasket, Tailpipe	56	11757-B	2	Tube, Foot Assy. (Optional)
27	5487	1	Tailpipe				
28	1461	1	Flange, Tailpipe				
29	1468	2	Screw (1/4-20x1/2)				
30	13674-C	1	Rotor & Shaft Assy. (Incl. Codes 31 & 47)				

# ISE IN-SINK-ERATOR

COMMERCIAL DISPOSER  
**MODEL NO. SS125-26**  
(208/230/460Volt / 60Hz / 3 Phase)

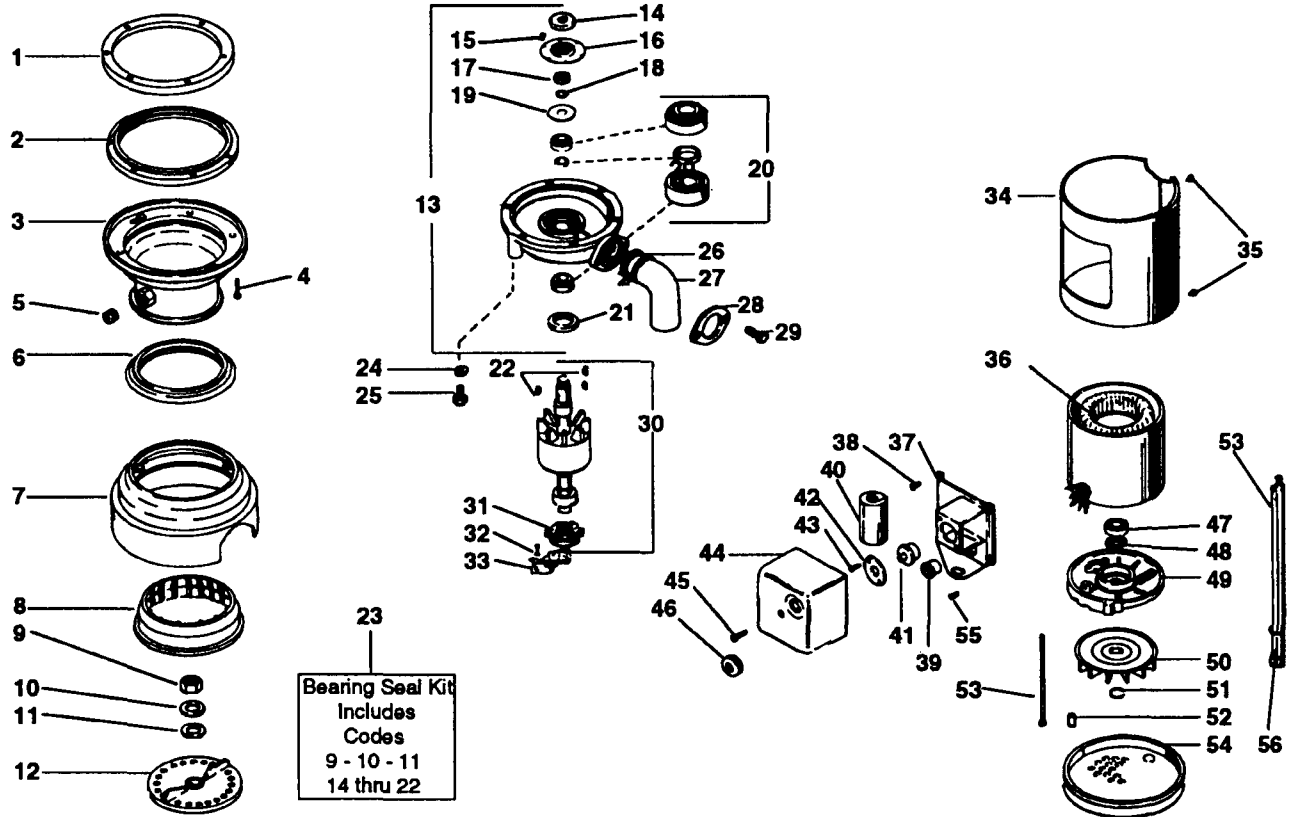
Start Date:  
9-1-92  
Engineer Number:  
13661-A



**ORDER BY PART NUMBER, NOT CODE NUMBER**

CODE NO.	PART NO.	NO. REQ.	DESCRIPTION	CODE NO.	PART NO.	NO. REQ.	DESCRIPTION
1	11004	1	Flange, Mounting	28	1461	1	Flange, Tailpipe
2	11016	1	Gasket, Mounting	29	1468	2	Screw (1/4-20x1/2)
3	11020-A	1	Body, Assy, Upper	30	13674-J	1	Rotor & Shaft Assy (Incl. Code 43)
4	1491	6	Screw (1/4-20x3/4)	31	12370	1	Trim, Band
5	11227	1	Pipe, Plug	32	1836-A	2	Screw (8-32x1/2)
6	11006	1	Gasket, Shredder	33	13714-C	1	Stator Assy
7	12442	1	Body & Cover Assy	34	12433-E	1	Bracket Assy (Mounting)
8	11252-A	1	Shredder, Stationary	35	11448	4	Screw (8-18x1/4)
9	11260	1	Nut	36	12384	1	Bushing
10	12445	1	Washer	37	13422-M	1	Overload, Protector
11	12142	1	Washer, Fiber	38	12378	1	Clamp, Overload
12	12944	1	Shredder Assy, Rotor	39	8221	2	Screw (8-32x1/2)
13	13722	1	End Bell Assy, Upper (Incl. Codes 14 thru 22)	40	13396	1	Box, Terminal (Incl. code 42)
14	12936	1	Shield	41	12381	1	Screw (8-32x1.1/4)
15	1269	6	Screw (8-18x1/2)	42	12383	1	Grommet, Overload
16	12934-A	1	Seal Assy	43	13709	1	Bearing, Lower
17	12935	1	Sleeve, Spacer	44	13678	1	Spring, Pre-load
18	12860	1	O-Ring	45	13747	1	End Frame, Lower
19	12319	1	Slinger	46	13676	1	Fan
20	12610	1	Bearing Assy, Upper	47	13677	1	Ring, Retaining
21	12326	1	Seal, Water & Oil	48	12490	3	Tube, Spacer
22	11322	3	Key, Woodruff	49	11940-A	3	Bolt, Thru
23	13080	1	Bearing Seal Kit (Incl. codes 9-10-11 & 14 thru 22)	50	12396	1	Cover, Bottom
24	11444	3	Washer, Lock	51	2466-A	1	Screw, Ground
25	3135	3	Screw (1/4-20x1/2)	52	11757-B	2	Tube Assy, Foot (Optional)
26	1470	1	Gasket, Tailpipe				
27	5487	1	Tailpipe				

1-1/4H.P.



**ORDER BY PART NUMBER, NOT CODE NUMBER**

CODE NO.	PART NO.	NO. REQ.	DESCRIPTION	CODE NO.	PART NO.	NO. REQ.	DESCRIPTION
1	11004	1	Flange, Mounting	31	13708	1	Centrifugal Actuator
2	11016	1	Gasket, Mounting	32	8221	2	Screw (6-32x1/2)
3	11020-A	1	Body, Assy, Upper	33	13707	1	Switch, Start
4	1491	6	Screw (1/4-20x3/4)	34	12370	1	Trim Band
5	11227	1	Plug, Pipe	35	1836-A	2	Screw (8-32x1/2)
6	11006	1	Gasket, Shredder	36	13713-C	1	Stator Assy
7	12442	1	Assy, Body & Cover	37	12433	1	Bracket Assy (Mounting)
8	11252-A	1	Shredder, Stationary	38	11448	4	Screw (8-18x1/4)
9	11260	1	Nut	39	12384	1	Bushing
10	12445	1	Washer	40	11868	1	Capacitor
11	12142	1	Washer, Fiber	41	13422-BC	1	Overload Protector
12	12944	1	Assy, Rotor Shredder	42	12378	1	Clamp, Overload
13	13722	1	Assy, Upper End Bell (Incl. Codes 14-22)	43	8221	2	Screw (8-32x1/2)
14	12936	1	Shield	44	13396	1	Box, Terminal Assy (Incl. code 46)
15	1269	6	Screw (6-18x1/2)	45	12381	1	Screw (8-32x1-1/4)
16	12934-A	1	Assy, Seal	46	12383	1	Grommet, Overload
17	12935	1	Sleeve, Spacer	47	13709	1	Bearing, Lower
18	12860	1	O-Ring	48	13678	1	Spring, Pre-load
19	12319	1	Slinger	49	13747	1	End Frame, Lower
20	12610	1	Assy, Upper Bearing	50	13676	1	Fan
21	12326	1	Seal, Water & Oil	51	13677	1	Ring, Retaining
22	11322	3	Key, Woodruff	52	12490	3	Tube, Spacer
23	13080	1	Kit, Bearing Seal (Incl. codes 9-11 & 14-22)	53	11940-A	3	Bolt, 7 Thru
24	11444	3	Washer, Lock	54	12396	1	Cover, Bottom
25	3135	3	Screw (1/4-20x1)	55	2466-A	1	Screw, Ground
26	1470	1	Gasket, Tailpipe	56	11757-B	2	Tube, Foot Assy. (Optional)
27	5487	1	Tailpipe				
28	1461	1	Flange, Tailpipe				
29	1468	2	Screw (1/4-20x1/2)				
30	13674-C	1	Rotor & Shaft Assy. (Incl. Codes 31 & 47)				

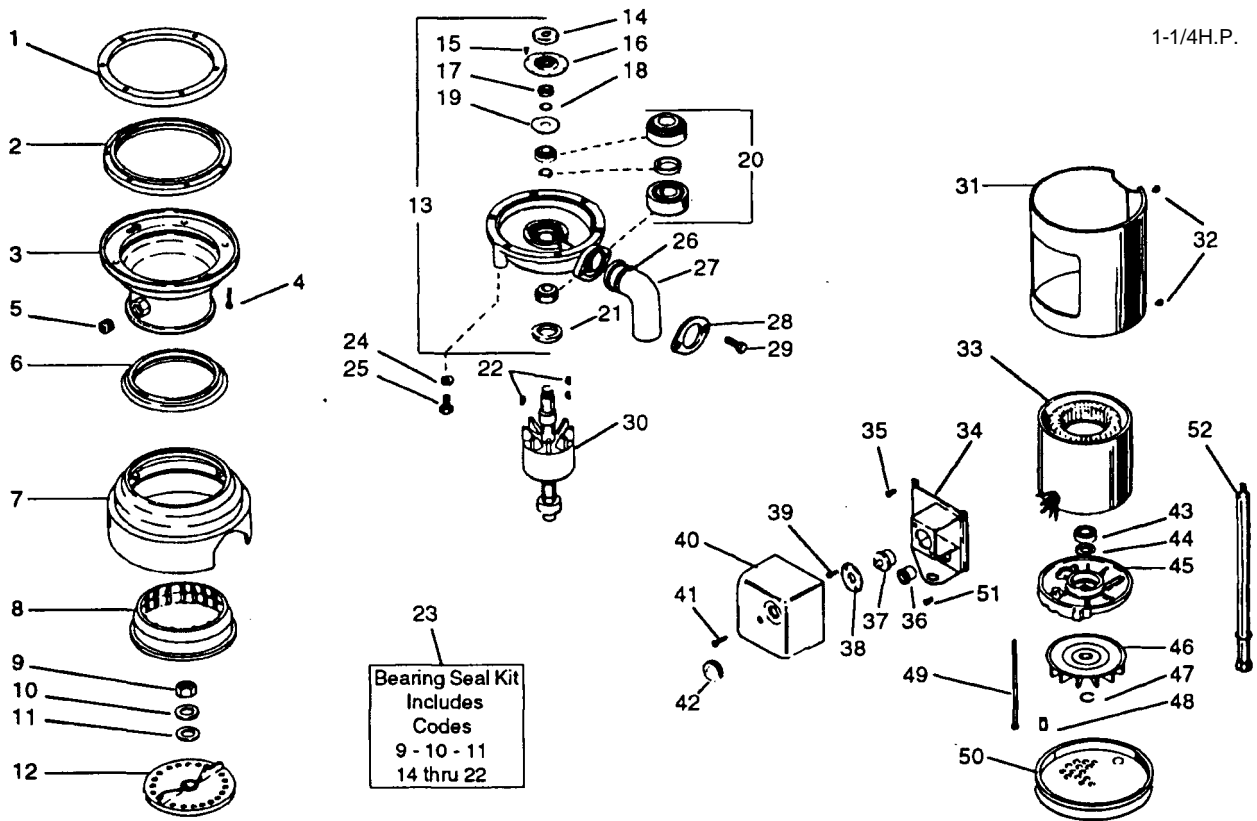
# ISE

IN-SINK-ERATOR

COMMERCIAL DISPOSER  
**MODEL NO. SS125-28 (C.S.A.)**  
 (208/230/460Volt / 60Hz / 3 Phase)

Start Date:  
02/26/93

Engineer Number:  
13661-C



**ORDER BY PART NUMBER, NOT CODE NUMBER**

CODE NO.	PART NO.	NO. REQ.	DESCRIPTION	CODE NO.	PART NO.	NO. REQ.	DESCRIPTION
1	11004	1	Flange, Mounting	28	1461	1	Flange, Tailpipe
2	11016	1	Gasket, Mounting	29	1468	2	Screw (1/4-20x1/2)
3	11020-A	1	Body, Assy, Upper	30	13674-J	1	Rotor & Shaft Assy (Incl. Code 43)
4	1491	6	Screw (1/4-20x3/4)	31	12370	1	Trim, Band
5	11227	1	Pipe, Plug	32	1836-A	2	Screw (8-32x1/2)
6	11006	1	Gasket, Shredder	33	13714-C	1	Stator Assy
7	12442	1	Body & Cover Assy	34	12433-E	1	Bracket Assy (Mounting)
8	11252-A	1	Shredder, Stationary	35	11448	4	Screw (8-18x1/4)
9	11260	1	Nut	36	12357	1	Bushing
10	12445	1	Washer	37	13422-M	1	Overload, Protector
11	12142	1	Washer, Fiber	38	12378	1	Clamp, Overload
12	12944	1	Shredder Assy, Rotor	39	8221	2	Screw (8-32x1/2)
13	13722	1	End Bell Assy, Upper (Incl. Codes 14 thru 22)	40	13396	1	Box, Terminal (Incl. code 42)
14	12936	1	Shield	41	12381	1	Screw (8-32x1-1/4)
15	1269	6	Screw (8-18x1/2)	42	12383	1	Grommet, Overload
16	12934-A	1	Seal Assy	43	13709	1	Bearing, Lower
17	12935	1	Sleeve, Spacer	44	13678	1	Spring, Pre-load
18	12860	1	O-Ring	45	13747	1	End Frame, Lower
19	12319	1	Slinger	46	13676	1	Fan
20	12610	1	Bearing Assy, Upper	47	13677	1	Ring, Retaining
21	12326	1	Seal, Water & Oil	48	12490	3	Tube, Spacer
22	11322	3	Key, Woodruff	49	11940-A	3	Bolt, Thru
23	13080	1	Bearing Seal Kit (Incl. codes 9-10-11 & 14 thru 22)	50	12396	1	Cover, Bottom
24	11444	3	Washer, Lock	51	2466-A	1	Screw, Ground
25	3135	3	Screw (1/4-20x1/2)	52	11757-B	2	Tube Assy, Foot (Optional)
26	1470	1	Gasket, Tailpipe				
27	5487	1	Tailpipe				