

## EBF-750

► **Description**

Battery Powered, Sensor Activated Electronic Gooseneck Hand Washing Faucet for tempered or hot/cold water operation.

► **Flow Rate**

- 2.2 gpm/8.3 Lpm Laminar Flow Spray Head
- For 2.2 gpm/8.3 Lpm Shower Spray Head, specify "H" variation (See Accessories for other Spray Head options)

► **Specifications**

ADA Compliant, Battery Powered, Sensor Activated, Chrome Plated Brass Gooseneck Hand Washing Faucet with the following features:

- Splash-proof Circuit Control Module
- Isolated Latching Solenoid Operator, isolates magnetic components from water contact
- Sensor Range Adjustment Screw
- Low Battery LED Indicator Light
- User friendly Variable Time Out Settings
- Serviceable Filtered Solenoid Valve
- Bak-Chek® Tee for Hot/Cold Supply
- Spray Head with Pressure Compensating Flow Control
- Metal Jacketed Wire Protection for Sensor Lead
- Includes four (4) AA-size Alkaline Batteries
- Appropriate Mounting Hardware included
- Optional 6 VDC Plug-in Adaptor available (Batteries act as backup when using optional adaptor)

► **Variations**

(Add suffix to Model Number for inclusion with Faucet)

- Spout and Spray Head Variations
    - H** Shower Spray Head (2.2 gpm/8.3 Lpm)
    - S** Surgical Bend Spout
  - Trim Plate (must be specified)
    - 4** Trim Plate for 4" Centerset Sink
    - 8** Trim Plate for 8" Centerset Sink
  - Temperature Mixing Valves (optional)
    - ADM** Above Deck Mechanical Mixing Valve (only available for installation on 8" centerset sinks)
    - BDM** Below Deck Mechanical Mixing Valve
    - BDT** Below Deck Thermostatic Mixing Valve
- Bak-Chek® Tee not required or provided when a Temperature Mixing Valve is included with the faucet.

Consult Factory for Finish Variations

► **Accessories** (Specify separately)

- Adaptor
  - SFP-6** 120 VAC/6 VDC Plug-in Adaptor
- Spray Heads
  - ETF-687** 1.5 gpm/5.7 Lpm Laminar Flow Spray Head
  - ETF-801** 0.5 gpm/1.9 Lpm Spray Head
- Grid Strainer
  - ETF-460-A** Chrome Plated Brass Grid Strainer w/1/4" Outlet Tube

See OPTIMA Accessories Section of the Sloan Catalog for a complete listing of OPTIMA Faucet Accessories and Variations.



► **ADA Compliant**

► **Automatic**

The Sloan OPTIMA Plus® EBF-750 Battery Powered, Gooseneck Hand Washing Faucet operates by means of an infrared sensor. Once the user's hands enter the sensor's effective range, the Solenoid activates the water flow. Tempered water flows from the Faucet until hands are moved away. The Faucet then automatically shuts off.

► **Hygienic**

The ultimate in sanitary protection — there are no handles to turn or buttons to push. Helps to control the spread of infectious diseases. Ideal for high traffic commercial installations.

► **Economical**

Automatic operation provides water usage savings over other faucet devices. Reduces maintenance and operation costs. Battery Operation ideal for Retrofit installations. Optional plug-in adaptor available.

► **Warranty**

3 year (limited)

► **Compliant to:**

ASME A112.18.1



This space for Architect/Engineer approval

Job Name \_\_\_\_\_ Date \_\_\_\_\_

Model Specified \_\_\_\_\_ Quantity \_\_\_\_\_

Variations Specified \_\_\_\_\_

Customer/Wholesaler \_\_\_\_\_

Contractor \_\_\_\_\_

Architect \_\_\_\_\_

# EBF-750

## FAUCET DIMENSIONS

### Description

Battery Powered, Sensor Activated Electronic Gooseneck Hand Washing Faucet for tempered or hot/cold water operation.

### Flow Rate

- 2.2 gpm/8.3 Lpm Laminar Flow Spray Head
- For 2.2 gpm/8.3 Lpm Shower Spray Head, specify "H" variation
- (See Accessories for other Spray Head options)

## ELECTRICAL SPECIFICATIONS

### Control Circuit

6 VDC — operates on four (4) alkaline AA-size batteries. Optional 6 VDC plug-in Adaptor.

### Battery Life

2 years at 8,000 cycles/month

### Indicator Lights

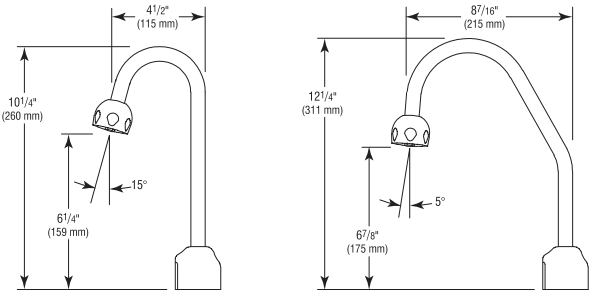
Range Adjustment/Low Battery

### Optima® Sensor Range

Factory Set: 4" - 5" (102 mm - 127 mm)  
Adjustable: 2" - 9" (51 mm - 229 mm)

### Solenoid Valve

Filtered Solenoid Valve with serviceable Strainer Filter.



### Time Out Adjustment Settings

30 seconds — The Faucet Time Out Setting determines the maximum time the faucet will run upon continuous detection. The EBF-750 is factory set at the 30 second time out.

### Max. Distance Control Module may be Installed from Spout

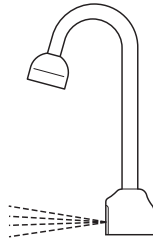
With Standard Cable: 15" (381 mm)

### Extension Cable (Optional)

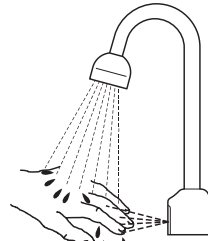
EBF-203-A-16 16" (406 mm)

## OPERATION

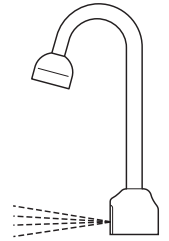
1. A continuous invisible beam of light is emitted from the OPTIMA® Sensor located at the base of the lavatory faucet.



2. As the user's hands enter the beam's effective range, the beam is reflected back into the sensor receiver and activates the solenoid valve allowing tempered water to flow from the faucet. Water will flow until the hands are removed or until the faucet reaches its automatic time out limit setting.



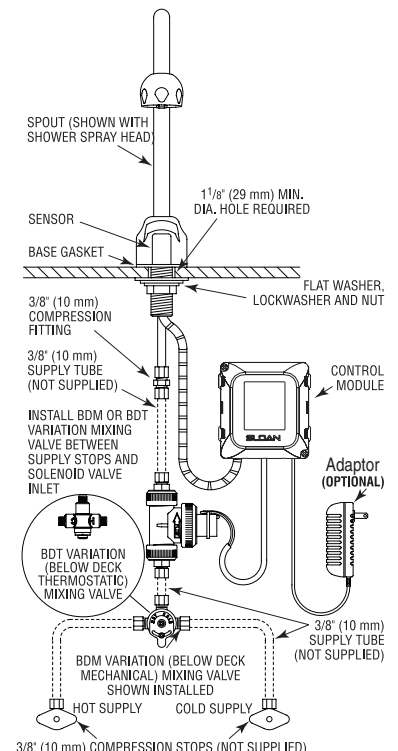
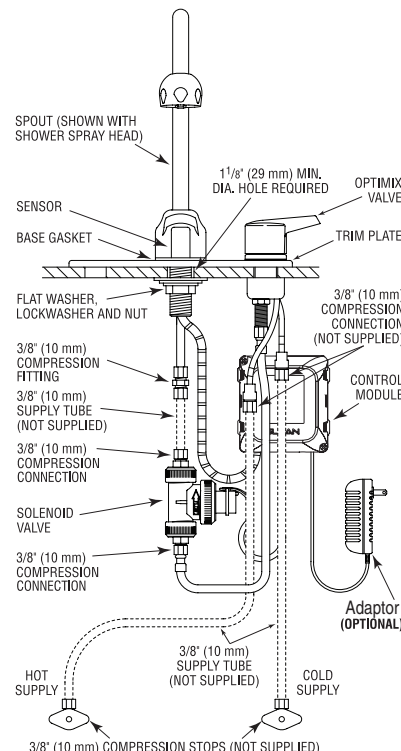
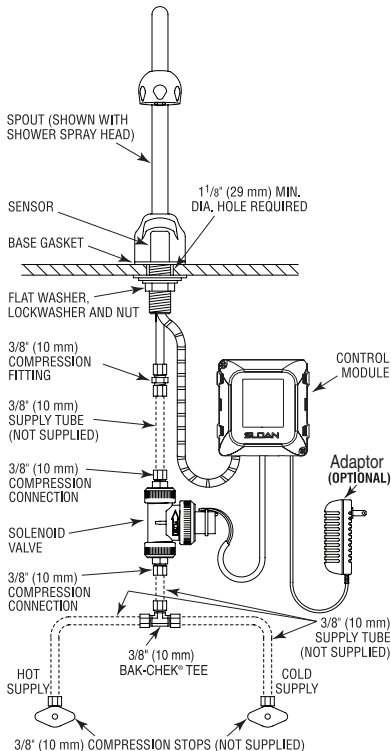
3. When hands are moved away from the Optima Sensor, the loss of reflected light initiates an electrical signal that deactivates the solenoid valve, shutting off the water flow. The circuit then automatically resets and is ready for the next user.



EBF-750 Faucet with Bak-Chek® Tee for Hot and Cold Water Supply

EBF-750 Faucet with ADM Variation Mixing Valve for Hot and Cold Water Supply (shown with 8" trim plate)

EBF-750 Faucet with BDM and BDT Variation Mixing Valves for Hot and Cold Water Supply



**SLOAN VALVE COMPANY • 10500 SEYMOUR AVENUE • FRANKLIN PARK, IL 60131**

Phone: 1-800-982-5839 or 1-847-671-4300 • Fax: 1-800-447-8329 or 1-847-671-4380 • www.sloanvalve.com