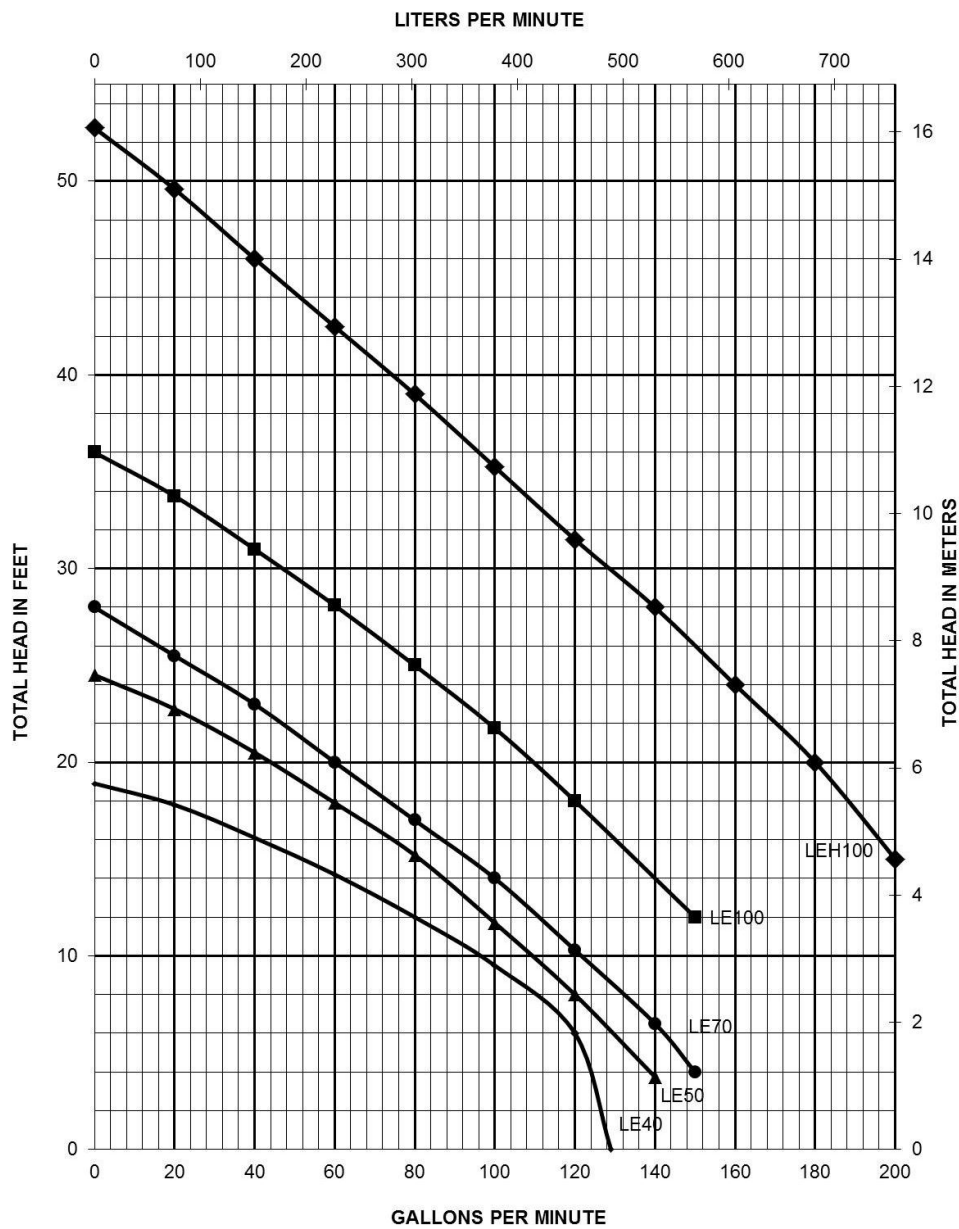
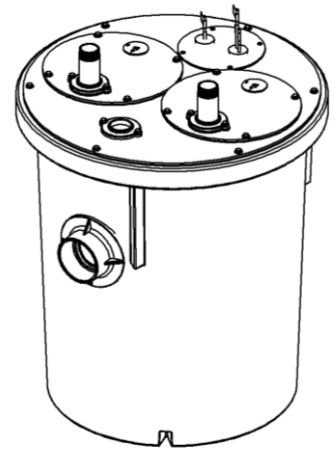


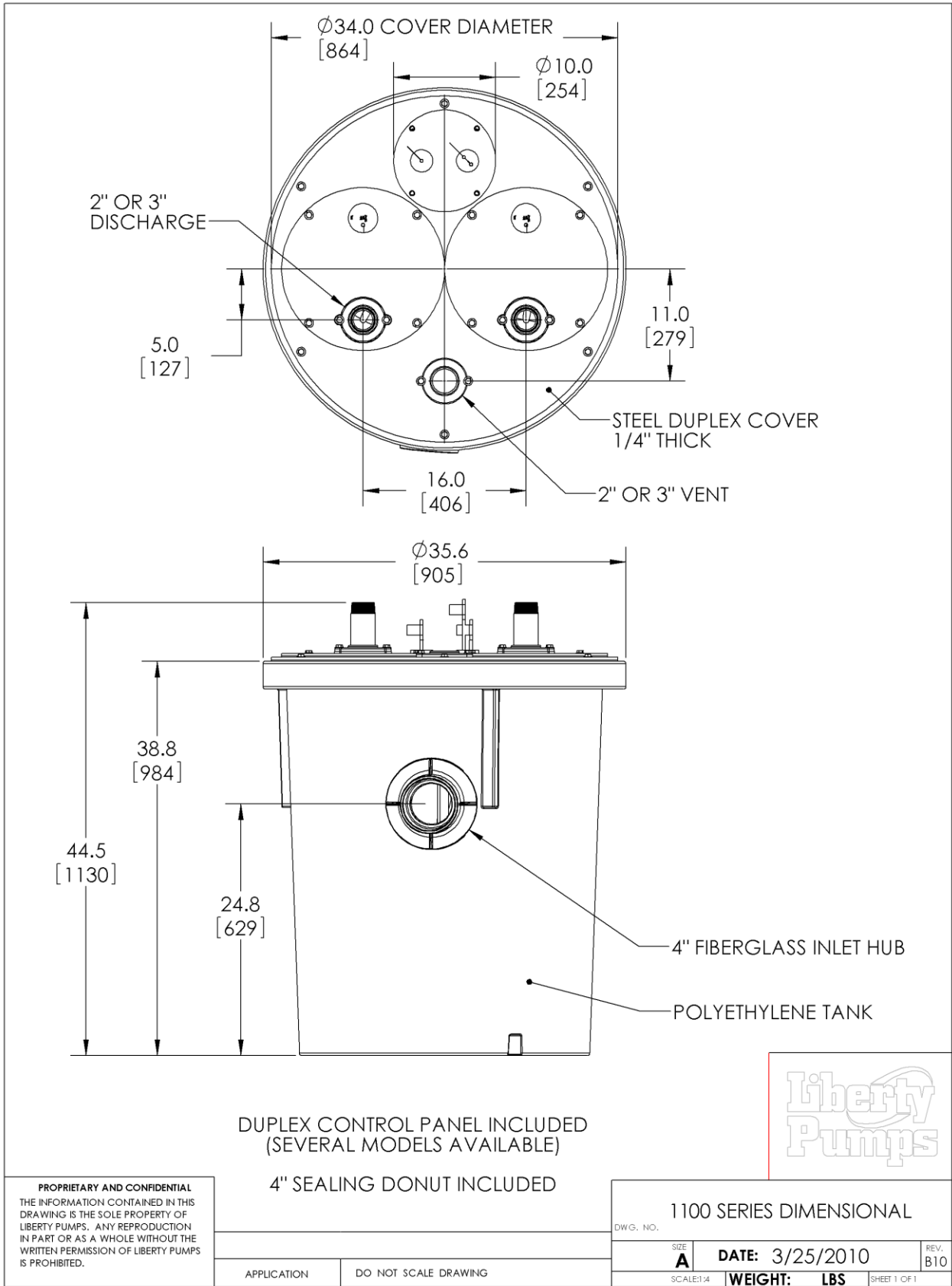


Pump Specifications

1100-Series Pre-assembled Duplex Sewage System 30" x 36", 110 Gallon



1100-Series Dimensional Data



PROPRIETARY AND CONFIDENTIAL
 THE INFORMATION CONTAINED IN THIS DRAWING IS THE SOLE PROPERTY OF LIBERTY PUMPS. ANY REPRODUCTION IN PART OR AS A WHOLE WITHOUT THE WRITTEN PERMISSION OF LIBERTY PUMPS IS PROHIBITED.

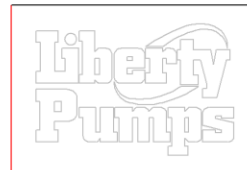
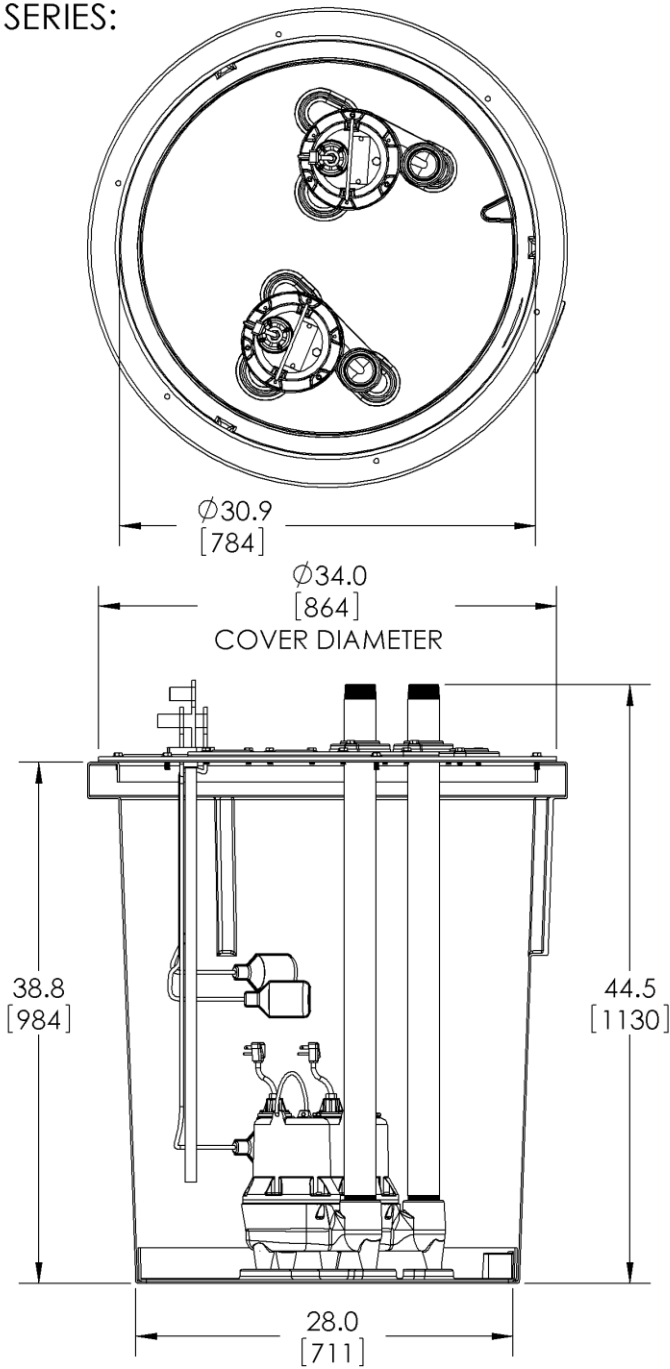
APPLICATION		DO NOT SCALE DRAWING	
-------------	--	----------------------	--

1100 SERIES DIMENSIONAL			
DWG. NO.			
SIZE	DATE: 3/25/2010	REV. B10	
A	WEIGHT: LBS	SHEET 1 OF 1	

LE40 SERIES SHOWN

AVAILABLE SERIES:

- LE40
- LE50
- LE70
- LE100
- LEH100
- LEH150
- LEH200
- FL100
- FL150
- FL200



PROPRIETARY AND CONFIDENTIAL
 THE INFORMATION CONTAINED IN THIS DRAWING IS THE SOLE PROPERTY OF LIBERTY PUMPS. ANY REPRODUCTION IN PART OR AS A WHOLE WITHOUT THE WRITTEN PERMISSION OF LIBERTY PUMPS IS PROHIBITED.

APPLICATION

DO NOT SCALE DRAWING

DWG. NO.

1100 SERIES DIMENSIONAL

SIZE
A

DATE: 3/25/2010

REV.
B10

SCALE:1:4

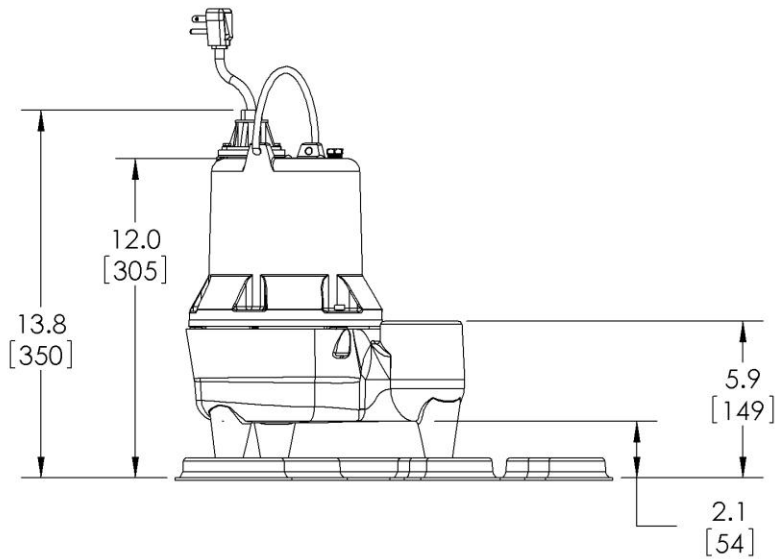
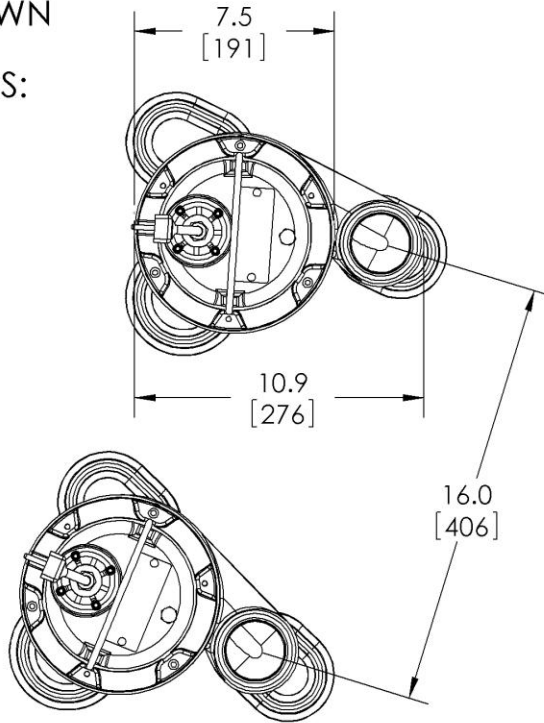
WEIGHT: LBS

SHEET 1 OF 1

LE40 SERIES SHOWN

AVAILABLE SERIES:

- LE40
- LE50
- LE70
- LE100
- LEH100
- LEH150
- LEH200
- FL100
- FL150
- FL200



PROPRIETARY AND CONFIDENTIAL
 THE INFORMATION CONTAINED IN THIS DRAWING IS THE SOLE PROPERTY OF LIBERTY PUMPS. ANY REPRODUCTION IN PART OR AS A WHOLE WITHOUT THE WRITTEN PERMISSION OF LIBERTY PUMPS IS PROHIBITED.

APPLICATION DO NOT SCALE DRAWING

1100 SERIES DIMENSIONAL

DWG. NO.

SIZE **A** DATE: 3/25/2010

REV. B10

SCALE:1:4 WEIGHT: LBS SHEET 1 OF 1



1100-Series Electrical Data

MODEL	HP	VOLTAGE	PHASE	SF	FULL LOAD AMPS	LOCKED ROTOR AMPS	THERMAL OVERLOAD TEMP	STATOR WINDING CLASS	DISCHARGE	AUTOMATIC
1102/LE41M	4/10	115	1	1.00	12	22	105°C 221°F	B	2"	NO
1102/LE51M	1/2	115	1	1.00	12	22.5	105°C 221°F	B	2"	NO
1102/LE52M	1/2	208-230	1	1.00	6.8	12	105°C 221°F	B	2"	NO
1102/LE71M	3/4	115	1	1.00	12	28	105°C 221°F	B	2"	NO
1102/LE72M	3/4	208-230	1	1.00	6	13	105°C 221°F	B	2"	NO
1102/LE73M	3/4	208-230	3	1.00	4.1	13.5	105°C 221°F	B	2"	NO
1102/LE74M	3/4	440-480	3	1.00	2.1	7	105°C 221°F	B	2"	NO
1102/LE102M	1	208-230	1	1.00	8	21	105°C 221°F	B	2"	NO
1102/LE103M	1	208-230	3	1.00	5.3	17.5	N/A	B	2"	NO
1102/LE104M	1	440-480	3	1.00	2.5	8.5	N/A	B	2"	NO
1102/LE105M	1	575	3	1.00	1.9	7.0	N/A	B	2"	NO
1102/LEH102M	1	208-230	1	1.00	12	30	105°C 221°F	B	2"	NO
1102/LEH103M	1	208-230	3	1.00	9	32	N/A	B	2"	NO
1102/LEH104M	1	440-480	3	1.00	4.5	16	N/A	B	2"	NO
1102/LEH105M	1	575	3	1.00	3.3	12	N/A	B	2"	NO
1103/LE41M	4/10	115	1	1.00	12	22	105°C 221°F	B	3"	NO
1103/LE51M	1/2	115	1	1.00	12	22.5	105°C 221°F	B	3"	NO
1103/LE52M	1/2	208-230	1	1.00	6.8	12	105°C 221°F	B	3"	NO
1103/LE71M	3/4	115	1	1.00	12	28	105°C 221°F	B	3"	NO
1103/LE72M	3/4	208-230	1	1.00	6	13	105°C 221°F	B	3"	NO
1103/LE73M	3/4	208-230	3	1.00	4.1	13.5	105°C 221°F	B	3"	NO
1103/LE74M	3/4	440-480	3	1.00	2.1	7	105°C 221°F	B	3"	NO
1103/LE102M	1	208-230	1	1.00	8	21	105°C 221°F	B	3"	NO
1103/LE103M	1	208-230	3	1.00	5.3	17.5	N/A	B	3"	NO
1103/LE104M	1	440-480	3	1.00	2.5	8.5	N/A	B	3"	NO
1103/LE105M	1	575	3	1.00	1.9	7.0	N/A	B	3"	NO
1103/LEH102M	1	208-230	1	1.00	12	30	105°C 221°F	B	3"	NO
1103/LEH103M	1	208-230	3	1.00	9	32	N/A	B	3"	NO
1103/LEH104M	1	440-480	3	1.00	4.5	16	N/A	B	3"	NO
1103/LEH105M	1	575	3	1.00	3.3	12	N/A	B	3"	NO

1100-Series Technical Data

TANK	HEAVY-DUTY POLYETHYLENE BASIN
COVER	POWDER COATED STEEL
GUIDE RAIL	NONE – PUMPS PULL OUT WITH COVER
INSPECTION COVER	10" STEEL WITH INTEGRAL FLOAT TREE
INLET HUB	4" (PREASSEMBLED)
DISCHARGE PIPING	SCHEDULE 80 PVC (GALVANIZED OR STAINLESS STEEL OPTIONAL)
PUMP RESTRAINT	TORQUE-STOPS SECURE PUMP LEGS
CONTROL PANELS	DUPLEX - INDOOR OR OUTDOOR ALARM WITH VISUAL AND AUDIBLE (80 DBI) ALARM
IMPELLER	SEE INDIVIDUAL PUMP MODELS SPEC SHEET
PAINT	SEE INDIVIDUAL PUMP MODELS SPEC SHEET
MAX LIQUID TEMP	SEE INDIVIDUAL PUMP MODELS SPEC SHEET
MAX STATOR TEMP	SEE INDIVIDUAL PUMP MODELS SPEC SHEET
THERMAL OVERLOAD	SEE INDIVIDUAL PUMP MODELS SPEC SHEET
POWER CORD TYPE	SEE INDIVIDUAL PUMP MODELS SPEC SHEET
MOTOR HOUSING	SEE INDIVIDUAL PUMP MODELS SPEC SHEET
VOLUTE	SEE INDIVIDUAL PUMP MODELS SPEC SHEET
SHAFT	SEE INDIVIDUAL PUMP MODELS SPEC SHEET
HARDWARE	SEE INDIVIDUAL PUMP MODELS SPEC SHEET
ORINGS	SEE INDIVIDUAL PUMP MODELS SPEC SHEET
MECHANICAL SEAL	SEE INDIVIDUAL PUMP MODELS SPEC SHEET
MIN BEARING LIFE	SEE INDIVIDUAL PUMP MODELS SPEC SHEET

1100-Series Specifications

SYSTEM

The duplex ejector system shall be model _____ / _____ as manufactured by Liberty Pumps, Bergen, N.Y. or equal. The system shall be factory pre-assembled with pumps, discharge pipe nipples, and floats pre-mounted in the basin. Volume per pump cycle shall be factory set at 28 U.S. gallons. Floats shall be tethered to a removable standpipe/access cover assembly.

BASIN

The basin shall be constructed of heavy duty rotationally molded polyethylene. Dimensions shall be 30" diameter x 36" deep and shall have a total capacity of 110 U.S. gallons. The inlet hub shall be 4" and preassembled to basin. The basin shall have "torque-stops" to locate and retain the pump in its proper position.

COVER

The cover shall be "heavy duty" 1/4" steel plate, enamel-coated on both sides. The cover shall be 34" in diameter, and have _____ (2" or 3") discharges and vent flange. The cover shall be fitted with two 16" diameter pump openings, and one 10" diameter inspection cover with integral stand pipe for float tethering. All cover hardware shall be stainless steel.

PUMP

See specific LE-Series literature for pump performance and technical specifications.

1100-Series Controls

The pump shall be controlled with:

_____ A NEMA 4X outdoor duplex control panel with three float switches and a high water alarm.

_____ A NEMA 1 indoor duplex control panel with three float switches and a high water alarm.

_____ A NEMA 4X outdoor duplex control panel with four float switches and a high water alarm.

_____ A NEMA 1 indoor duplex control panel with four float switches and a high water alarm.

WARRANTY

Standard limited warranty shall be 3 years.