

**PA-240C**       **PA-240SS**  
 **PA-240ORB**



## **8" Two Handle Kitchen Faucet**

# **Product Spec Sheet**



### **FEATURES & BENEFITS**

- This Product Contains Less Than 0.25% Weighted Average Lead Content On Wetted Surfaces
- Metal Lever Handles
- Ceramic Cartridges
- With Side Spray
- Max Flow Rate 2.2 GPM(8.5 LPM) at 60 PSI (ASME.A112.18.1)

PA-240C  
Chrome Finish

PA-240SS  
Stainless Steel Finish

PA-240ORB  
Oil Rubbed Bronze Finish

### **APPROVALS:**

**Meets or Exceeds The Following:**

- \* ANSI/ASME A112.18.1
- \* ANSI/NSF 61 – Sec. 9
- \* IAPMO/UPC
- \* CA AB1953



**CALIFORNIA:**  
**TEXAS:**  
**NEW YORK:**

**TEL: 866-532-8306**  
**TEL: 800-935-5456**  
**TEL: 800-431-2082**

**FAX: 866-532-8307**  
**FAX: 800-683-4247**  
**FAX: 800-640-2252**

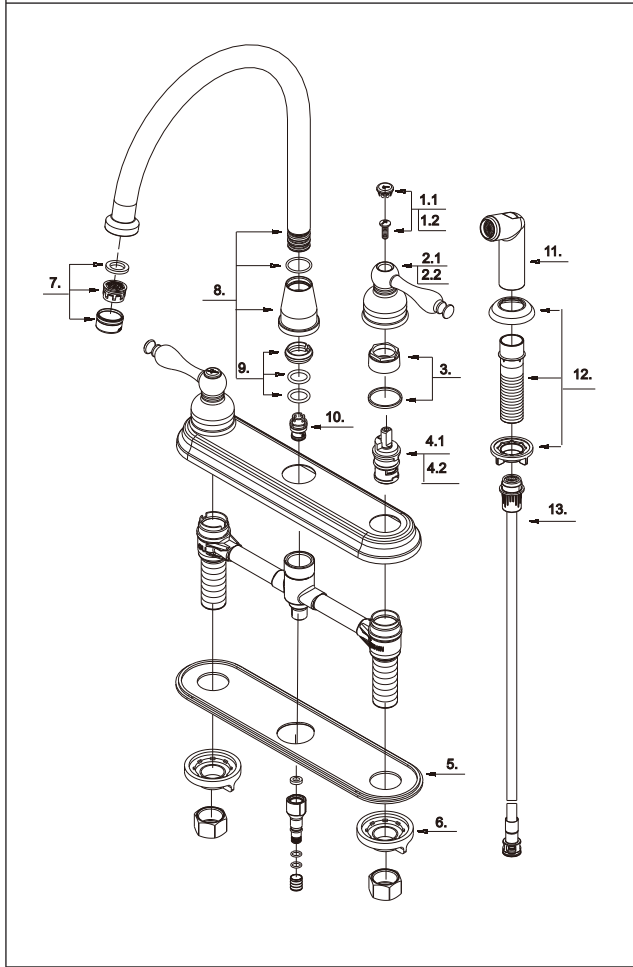
Visit Our Web Site : [www.matco-norca.com](http://www.matco-norca.com)

**PA-240C**     **PA-240SS**  
 **PA-240ORB**

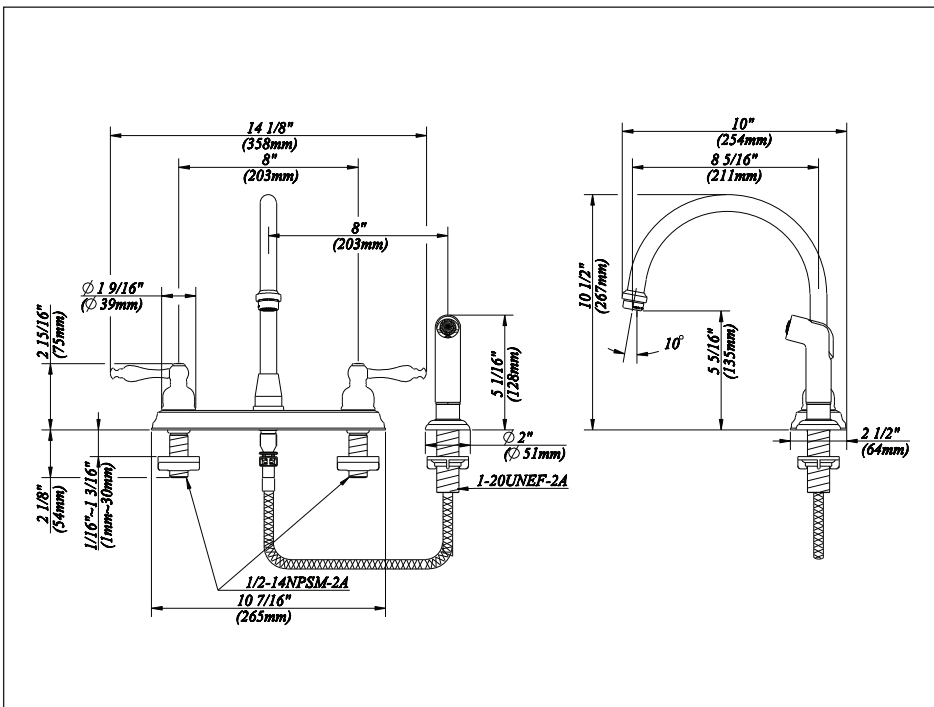


# 8" Two Handle Kitchen Faucet

No.	Name	Material
1.1	Index Button-Cold	Brass
1.2	Index Button-Hot	Brass
2.1	Metal Handle Assembly-Cold	Zinc Alloy
2.2	Metal Handle Assembly-Hot	Zinc Alloy
3	Retainer Nut & Washer	Plastic & Brass
4.1	Ceramic Disc Cartridge-Cold	Ceramic & Brass
4.2	Ceramic Disc Cartridge-Hot	Ceramic & Brass
5	Putty Plate	Plastic
6	Lock Nut Set * 2	Plastic
7	Aerator	Plastic & Brass
8	Spout Assembly	Brass
9	Spout Seal Kit	Plastic
10	Spray Diverter w/Vacuum Breaker	Plastic
11	Side Spray	Plastic
12	Spray Holder Assembly (2-1/2" L)	Plastic
13	Spray Hose	Plastic



**Product Spec Sheet**



### APPROVALS:

Meets or Exceeds The Following:

- \* ANSI/ASME A112.18.1
- \* ANSI/NSF 61 – Sec. 9
- \* IAPMO/UPC
- \* CA AB1953

CALIFORNIA: TEL: 866-532-8306 FAX: 866-532-8307  
 TEXAS: TEL: 800-935-5456 FAX: 800-683-4247  
 NEW YORK: TEL: 800-431-2082 FAX: 800-640-2252

Visit Our Web Site : [www.matco-norca.com](http://www.matco-norca.com)