

**PD-730C**  
 **PD-720BN**

**PD-730BN**  
 **PD-710C**

**PD-720C**  
 **PD-710BN**



## Single Handle Tub & Shower Faucet

# Product Spec Sheet



### FEATURES & BENEFITS

- Metal Lever Handle
- Washerless Pressure Balancing Valve
- Decorative Slip Fit Diverter Spout
- Max Flow Rate 2.5 GPM(9.5 LPM) at 80 PSI (ASME.A112.18.1)

#### APPROVALS:

Meets or Exceeds The Following:

- \* ANSI/ASME A112.18.1
- \* IAPMO/UPC

PD-730C  
Tub & Shower Faucet  
Chrome Finish

PD-730BN  
Tub & Shower Faucet  
Brushed Nickel Finish

PD-720C  
Shower Only Faucet  
Chrome Finish

PD-720BN  
Shower Only Faucet  
Brushed Nickel Finish

PD-710C  
Tub Only Faucet  
Chrome Finish

PD-710BN  
Tub Only Faucet  
Brushed Nickel Finish



**CALIFORNIA:**  
**TEXAS:**  
**NEW YORK:**

**TEL: 866-532-8306**  
**TEL: 800-935-5456**  
**TEL: 800-431-2082**

**FAX: 866-532-8307**  
**FAX: 800-683-4247**  
**FAX: 800-640-2252**

□ **PD-730C**  
 □ **PD-720BN**

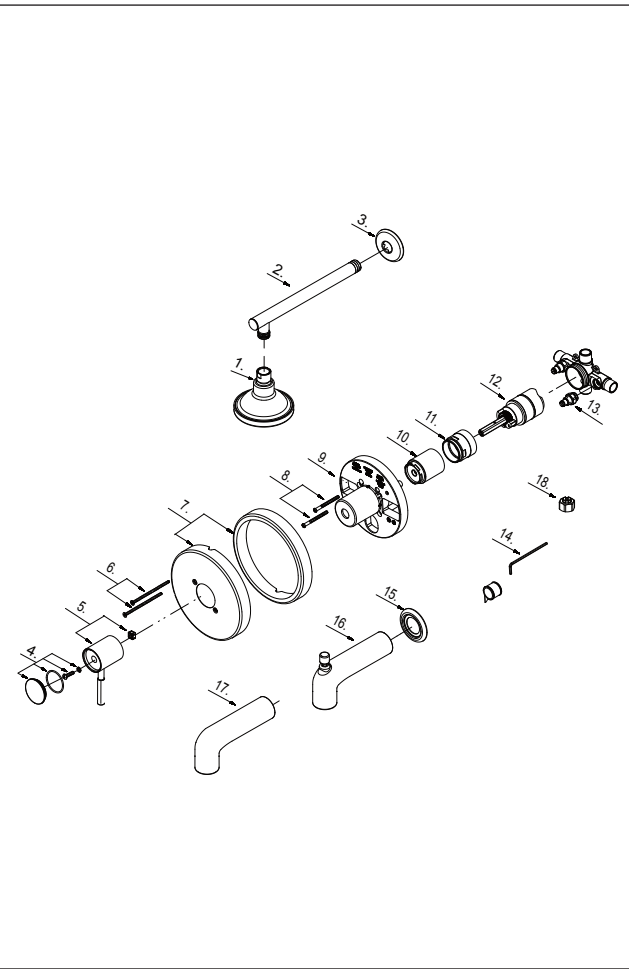
□ **PD-730BN**  
 □ **PD-710C**

□ **PD-720C**  
 □ **PD-710BN**

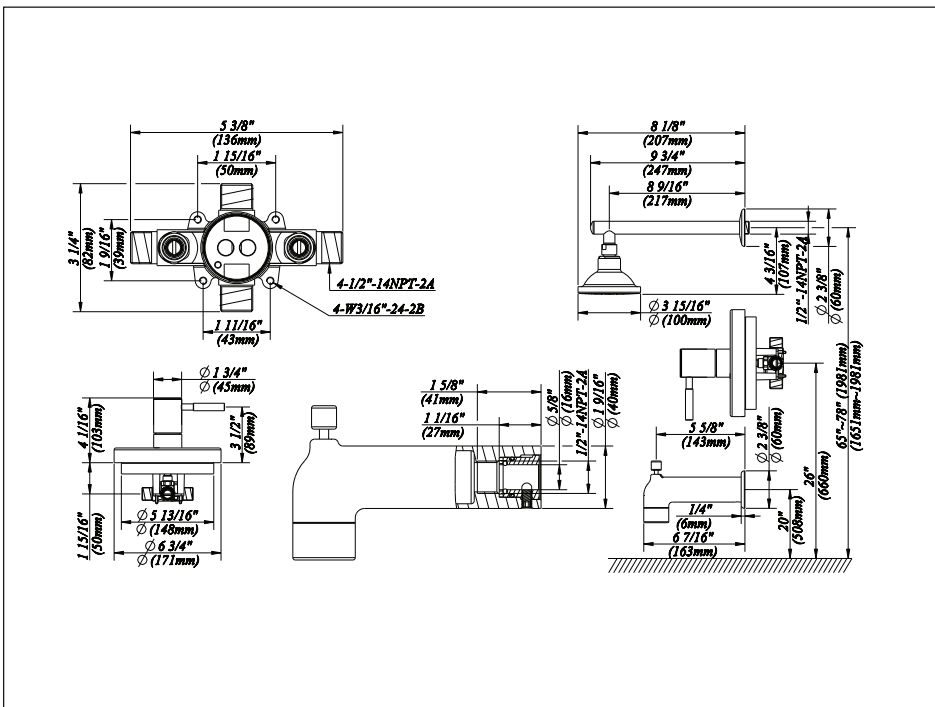


# Single Handle Tub & Shower Faucet

No.	Name	Material
1	Shower Head	Brass & Plastic
2	Shower Arm	Zinc Alloy
3	Shower Arm Flange	Brass
4	Handle Cap	Brass
5	Metal Handle Assembly	Zinc Alloy
6	Screw Set (3/16" -24 * 3-9/16" L)	Stainless Steel
7	Escutcheon Assembly	Stainless Steel
8	Screw Set (3/16" -24 * 2-3/16" L)	Stainless Steel
9	Plaster Guard	Plastic
10	Sleeve	Plastic
11	Retainer Nut	Brass
12	Washerless Cartridge Assembly	Brass & Plastic
13	Check Valve	Brass
14	Hex Wrench (H3.18 *20 mm L * 90 mm L)	Stainless Steel
15	Spout Escutcheon	Brass
16	Spout W/Diverter (Slip Fit)	Brass
17	Spout Less Diverter (Slip Fit)	Brass
18	Plug	Brass



**Product Spec Sheet**



### APPROVALS:

Meets or Exceeds The Following:

\* ANSI/ASME A112.18.1

\* IAPMO/UPC

CALIFORNIA: TEL: 866-532-8306 FAX: 866-532-8307

TEXAS: TEL: 800-935-5456 FAX: 800-683-4247

NEW YORK: TEL: 800-431-2082 FAX: 800-640-2252

Visit Our Web Site : [www.matco-norca.com](http://www.matco-norca.com)