

- PO-900C**       **PO-900CJP**  
 **PO-900BN**       **PO-900BNJP**



## **Two Handle Roman Tub Faucet**

# Product Spec Sheet



### **FEATURES & BENEFITS**

- Metal Lever Handles
- Ceramic Cartridges
- Min Flow Rate 4.0 GPM(15.1 LPM) at 60 PSI (ASME.A112.18.1)

PO-900C  
 Chrome Finish

PO-900BN  
 Brushed Nickel Finish

PO-900CJP  
 Trim Kit For Roman Tub  
 Chrome Finish

PO-900BNJP  
 Trim Kit For Roman Tub  
 Brushed Nickel Finish

**APPROVALS:**  
 Meets or Exceeds The Following:  
 \* ANSI/ASME A112.18.1  
 \* IAPMO/UPC



<b>CALIFORNIA:</b>	<b>TEL: 866-532-8306</b>	<b>FAX: 866-532-8307</b>
<b>TEXAS:</b>	<b>TEL: 800-935-5456</b>	<b>FAX: 800-683-4247</b>
<b>NEW YORK:</b>	<b>TEL: 800-431-2082</b>	<b>FAX: 800-640-2252</b>

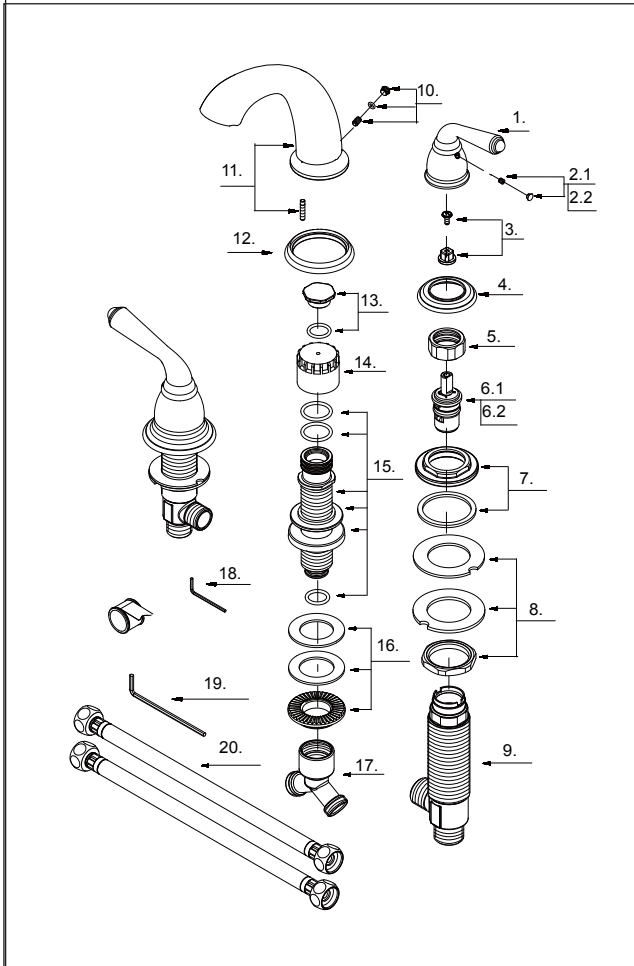
Visit Our Web Site : [www.matco-norca.com](http://www.matco-norca.com)

**PO-900C**     **PO-900CJP**  
 **PO-900BN**     **PO-900BNJP**

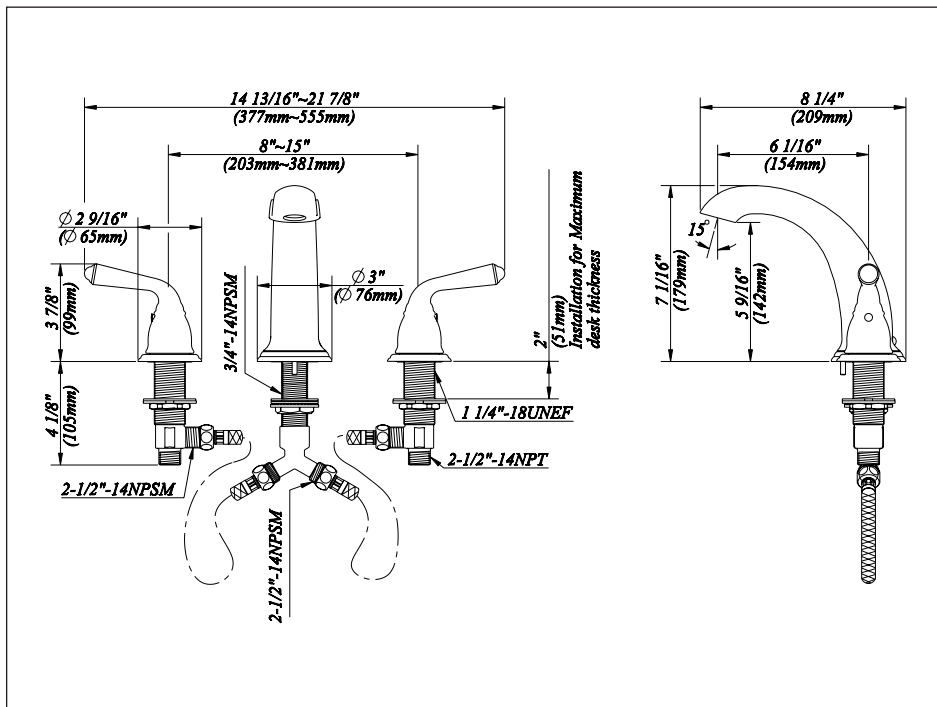


# Two Handle Roman Tub Faucet

No.	Name	Material
1	Metal Handle	Zinc Alloy & Brass
2.1	Index Button-Cold	Plastic
2.2	Index Button-Hot	Plastic
3	Handle Adaptor	Plastic
4	Handle Trim Ring	Brass
5	Retainer Nut	Brass
6.1	Ceramic Disc Cartridge-Cold	Ceramic & Brass
6.2	Ceramic Disc Cartridge-Hot	Ceramic & Brass
7	Lock Nut	Brass
8	Mounting Hardware	Stainless Steel
9	Handle Valve Body	Stainless Steel
10	Spout Trim Cap	Plastic
11	Spout Set	Brass
12	Spout Trim Ring	Brass
13	Spout Plug	Brass
14	Spout Rough In Cap	Plastic
15	Spout Body	Brass
16	Mounting Hardware	Brass
17	"Y" Adaptor	Brass
18	Hex Wrench (H2.5 * 19 mm L * 53 mm L)	Stainless Steel
19	Hex Wrench (H3.18 * 20 mm L * 90 mm L)	Stainless Steel
20	Supply Hose	Stainless Steel



**Product Spec Sheet**



**APPROVALS:**

Meets or Exceeds The Following:

- \* ANSI/ASME A112.18.1
- \* IAPMO/UPC

**CALIFORNIA:** TEL: 866-532-8306 FAX: 866-532-8307  
**TEXAS:** TEL: 800-935-5456 FAX: 800-683-4247  
**NEW YORK:** TEL: 800-431-2082 FAX: 800-640-2252

Visit Our Web Site : [www.matco-norca.com](http://www.matco-norca.com)