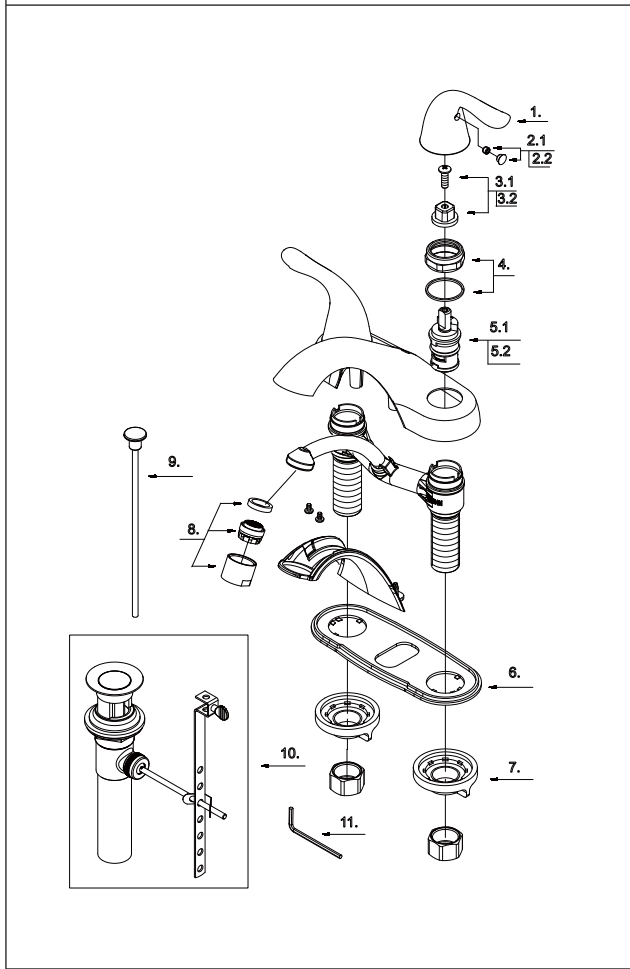


BL-400CL **BL-400C**
 BL-400BN **BL-400ORB**

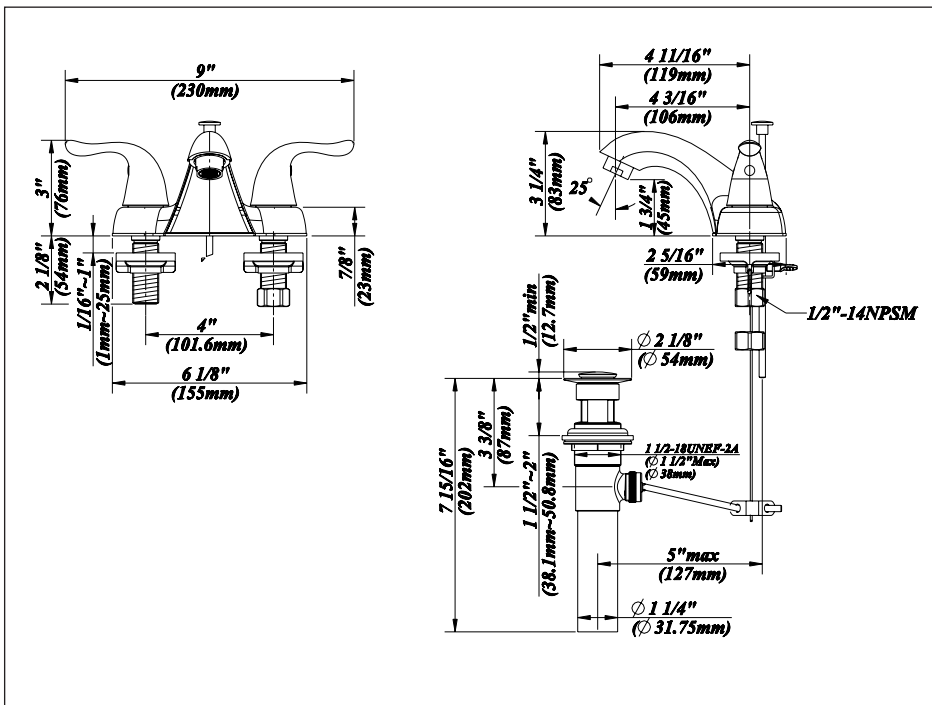


4" Two Handle Lavatory Faucet

No.	Name	Material
1	Metal Handle Assembly	Zinc Alloy
2.1	Index Button-Cold	Plastic
2.2	Index Button-Hot	Plastic
3.1	Handle Adaptor-Cold	Plastic
3.2	Handle Adaptor-Hot	Plastic
4	Retainer Nut & Washer	Brass
5.1	Ceramic Disc Cartridge-Cold	Ceramic & Brass
5.2	Ceramic Disc Cartridge-Hot	Ceramic & Brass
6	Putty Plate	Plastic
7	Lock Nut Set	Plastic
8	Aerator	Plastic & Brass
9	Lift Rod	Brass
10	Pop-up Assembly	Brass
11	Hex Wrench	Steel



Product Spec Sheet



APPROVALS:

Meets or Exceeds The Following:

- * ANSI/ASME A112.18.1
- * ANSI/NSF 61 – Sec. 9
- * IAPMO/UPC
- * CA AB1953

CALIFORNIA: TEL: 866-532-8306 FAX: 866-532-8307
TEXAS: TEL: 800-935-5456 FAX: 800-683-4247
NEW YORK: TEL: 800-431-2082 FAX: 800-640-2252

Visit Our Web Site : www.matco-norca.com