

- CL-500C** **CL-500BN**
- CL-500CL** **CL-500BNL**

4" Single Handle Lavatory Faucet

Product Spec Sheet



FEATURES & BENEFITS

- This Product Contains Less Than 0.25% Weighted Average Lead Content On Wetted Surfaces
- Metal Lever Handle
- Stainless Steel Ball Valve
- Brass Pop-up
- Max Flow Rate 1.5 GPM(5.7 LPM) at 60 PSI (ASME.A112.18.1)

APPROVALS:

Meets or Exceeds The Following:

- * ANSI/ASME A112.18.1
- * ANSI/NSF 61 – Sec. 9
- * IAPMO/UPC
- * CA AB1953

CL-500C
Chrome Finish

CL-500BN
Brushed Nickel Finish

CL-500CL
Less Pop-up
Chrome Finish

CL-500BNL
Less Pop-up
Brushed Nickel Finish



CALIFORNIA:
TEXAS:
NEW YORK:

TEL: 866-532-8306
TEL: 800-935-5456
TEL: 800-431-2082

FAX: 866-532-8307
FAX: 800-683-4247
FAX: 800-640-2252

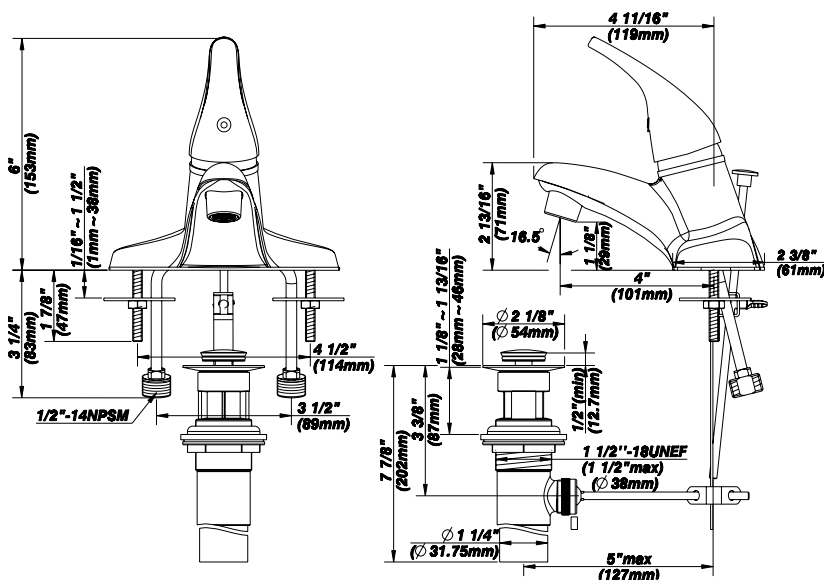
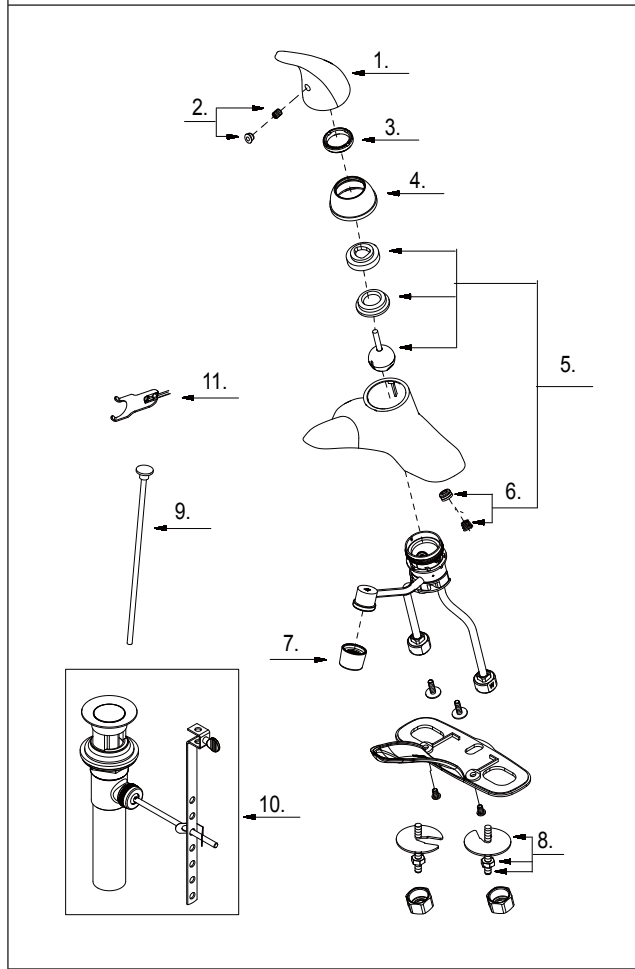
CL-500C **CL-500BN**
 CL-500CL **CL-500BNL**



4" Single Handle Lavatory Faucet

Product Spec Sheet

No.	Name	Material
1	Metal handle	Zinc Alloy
2	Index Button-Cold/Hot	Plastic
3	Locking Nut	Brass
4	Trim Cap	Zinc Alloy
5	Ball Valve Assembly	Stainless Steel & Plastic
6	Seat & Spring Set	Stainless Steel & Plastic
7	Aerator	Plastic & Brass
8	Mounting Hardware	Stainless Steel
9	Lift Rod	Brass
10	Pop-up Assembly	Brass
11	Wrench	Stainless Steel



APPROVALS:
 Meets or Exceeds The Following:
 * ANSI/ASME A112.18.1
 * ANSI/NSF 61 – Sec. 9
 * IAPMO/UPC
 * CA AB1953



CALIFORNIA: TEL: 866-532-8306 FAX: 866-532-8307
TEXAS: TEL: 800-935-5456 FAX: 800-683-4247
NEW YORK: TEL: 800-431-2082 FAX: 800-640-2252

Visit Our Web Site : www.matco-norca.com