

□ **PD-240C**

□ **PD-240SS**



Two Handle Widespread Kitchen Faucet

Product Spec Sheet



FEATURES & BENEFITS

- This Product Contains Less Than 0.25% Weighted Average Lead Content On Wetted Surfaces
- Metal Lever Handles
- Ceramic Cartridges
- With Side Spray
- Max Flow Rate 2.2 GPM(8.5 LPM) at 60 PSI (ASME.A112.18.1)

PD-240C
Chrome Finish

PD -240SS
Stainless Steel Finish

APPROVALS:

Meets or Exceeds The Following:

- * ANSI/ASME A112.18.1
- * ANSI/NSF 61 – Sec. 9
- * IAPMO/UPC
- * CA AB1953



CALIFORNIA:
TEXAS:
NEW YORK:

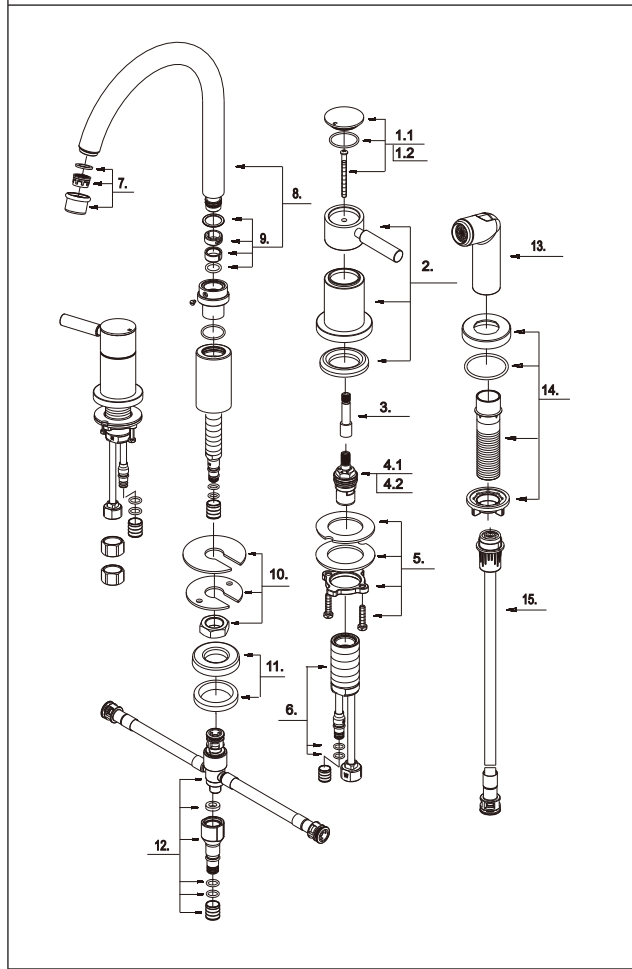
TEL: 866-532-8306
TEL: 800-935-5456
TEL: 800-431-2082

FAX: 866-532-8307
FAX: 800-683-4247
FAX: 800-640-2252

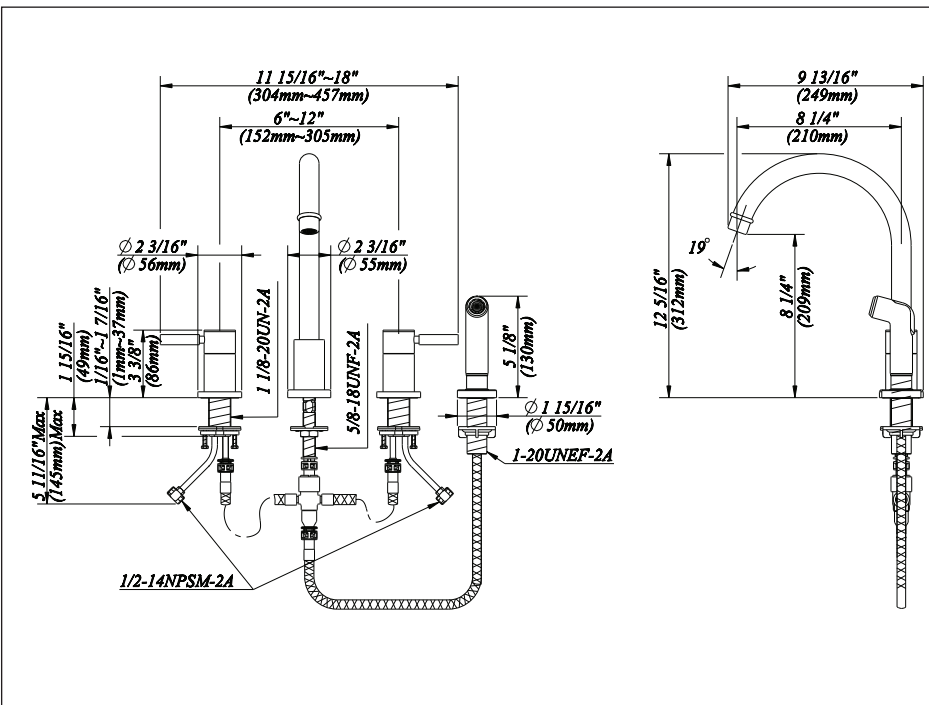
Visit Our Web Site : www.matco-norca.com

Two Handle Widespread Kitchen Faucet

No.	Name	Material
1-a	Index Button-Cold	Brass
1-b	Index Button-Hot	Brass
2	Metal Handle Assembly	Brass
3	Stem Extension	Brass
4-a	Ceramic Disc Cartridge-Cold	Ceramic & Brass
4-b	Ceramic Disc Cartridge-Hot	Ceramic & Brass
5	Mounting Hardware Assembly	Stainless Steel
6	Handle Valve Body	Brass
7	Aerator	Plastic & Brass
8	Spout Assembly	Brass
9	Spout Seal Kit	Plastic
10	Mounting Hardware	Stainless Steel
11	Spout Trim Ring	Brass
12	Supply Hose	Plastic
13	Side Spray	Plastic
14	Spray Holder Assembly	Plastic
15	Spray Hose	Plastic



Product Spec Sheet



APPROVALS:
Meets or Exceeds The Following:

- * ANSI/ASME A112.18.1
- * ANSI/NSF 61 – Sec. 9
- * IAPMO/UPC
- * CA AB1953

CALIFORNIA: TEL: 866-532-8306 FAX: 866-532-8307
TEXAS: TEL: 800-935-5456 FAX: 800-683-4247
NEW YORK: TEL: 800-431-2082 FAX: 800-640-2252