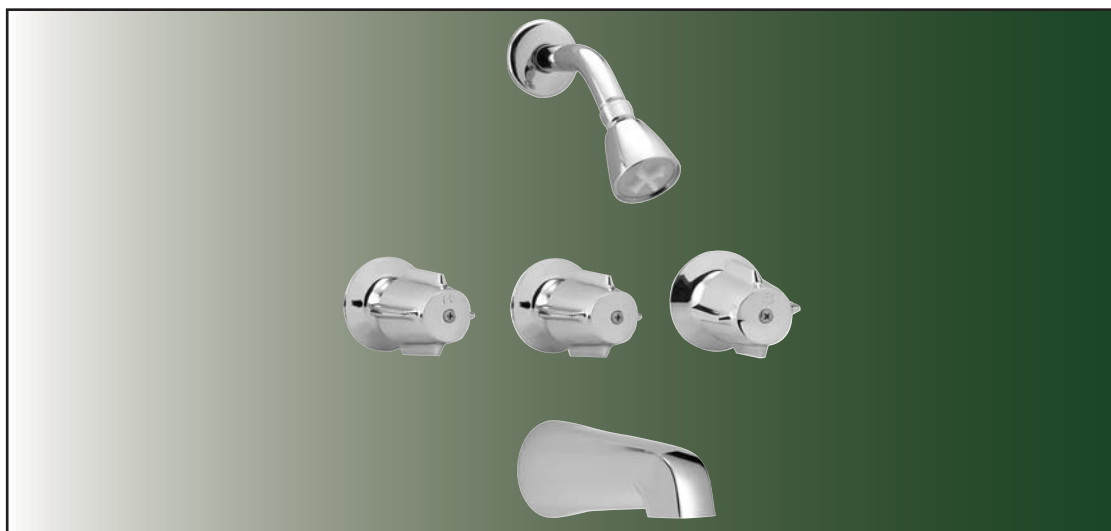


Three Handle Tub & Shower Faucet

Product Spec Sheet



FEATURES & BENEFITS

VE-870C
Chrome Finish

- Metal Round Handle
- Non Pressure Balanced
- Spout Without Diverter
- Max Flow Rate 2.5 GPM(9.5 LPM) at 80 PSI (ASME.A112.18.1)

APPROVALS:

Meets or Exceeds The Following:

- * ANSI/ASME A112.18.1
- * IAPMO/UPC



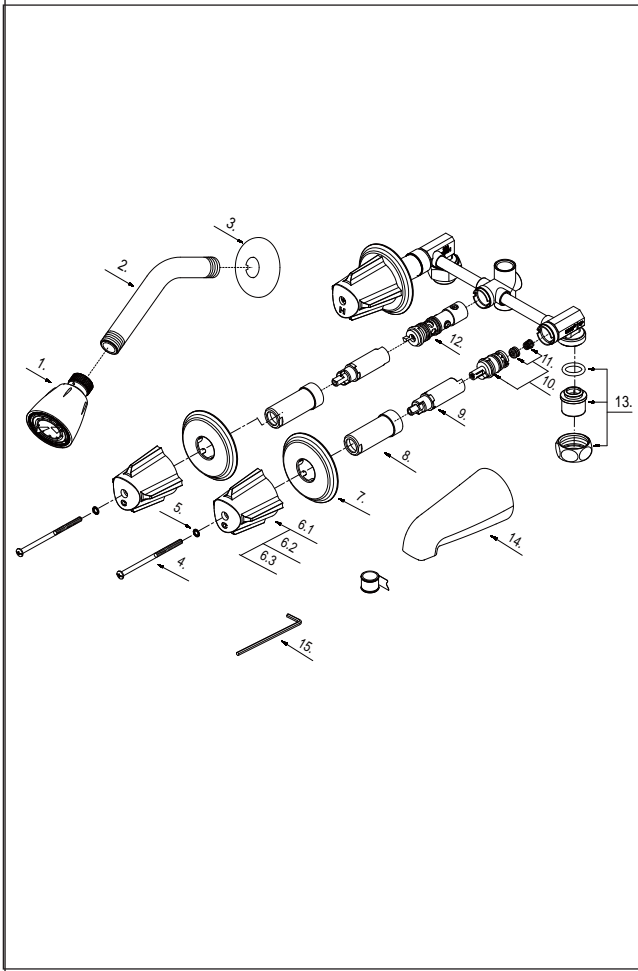
CALIFORNIA:
TEXAS:
NEW YORK:

TEL: 866-532-8306
TEL: 800-935-5456
TEL: 800-431-2082

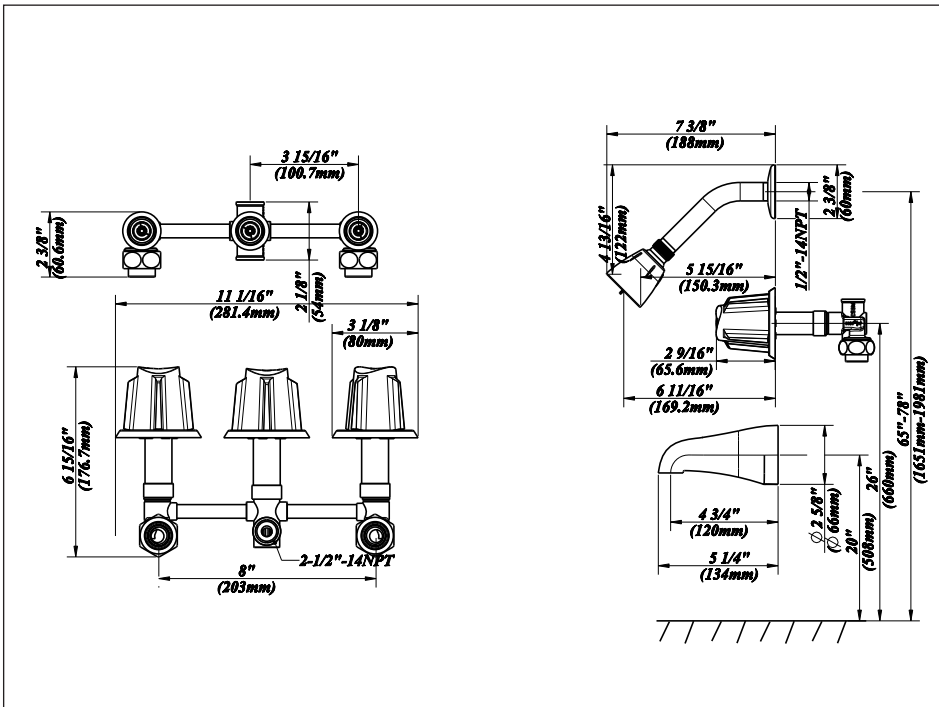
FAX: 866-532-8307
FAX: 800-683-4247
FAX: 800-640-2252

Three Handle Tub & Shower Faucet

No.	Name	Material
1	Shower Head	Plastic
2	Shower Arm	Brass
3	Shower Arm Flange	Brass
4	Screw	Stainless Steel
5	Washer	Plastic
6.1	Metal Handle-Cold	Zinc Alloy
6.2	Metal Handle-Hot	Zinc Alloy
6.3	Metal Handle-Diverter	Zinc Alloy
7	Escutcheon	Stainless Steel
8	Sleeve	Zinc Alloy
9	Stem Extension-Hot	Plastic
10	Cartridge Assembly	Plastic & Brass
11	Seat & Spring Set *2	Plastic & Stainless Steel
12	Diverter Cartridge	Plastic
13	Union Nut	Brass
14	Spout	Zinc Alloy
15	Hex Wrench (H3.18 *20 mm L * 90 mm L)	Stainless Steel



Product Spec Sheet



APPROVALS:
Meets or Exceeds The Following:

- * ANSI/ASME A112.18.1
- * IAPMO/UPC

CALIFORNIA: TEL: 866-532-8306 FAX: 866-532-8307
TEXAS: TEL: 800-935-5456 FAX: 800-683-4247
NEW YORK: TEL: 800-431-2082 FAX: 800-640-2252