

CL-730C **CL-720C** **CL-700C**
 CL-730CJP **CL-720CJP** **CL-700CJP**

Single Handle Tub & Shower Faucet

Product Spec Sheet



FEATURES & BENEFITS

- Metal Lever Handle
- Washerless Pressure Balancing Valve
- Slip Fit Diverter Spout
- Max Flow Rate 2.5 GPM(9.5 LPM) at 80 PSI (ASME.A112.18.1)

APPROVALS:

Meets or Exceeds The Following:

- * ANSI/ASME A112.18.1
- * IAPMO/UPC

CL-730C
Tub & Shower Faucet
Chrome Finish

CL-720C
Shower Only Faucet
Chrome Finish

CL-700C
Valve Only Faucet
Chrome Finish

CL-730CJP
Trim Kit For Tub & Shower Faucet
Chrome Finish

CL-720CJP
Trim Kit For Shower Only Faucet
Chrome Finish

CL-700CJP
Trim Kit For Valve Only Faucet
Chrome Finish



CALIFORNIA:
TEXAS:
NEW YORK:

TEL: 866-532-8306
TEL: 800-935-5456
TEL: 800-431-2082

FAX: 866-532-8307
FAX: 800-683-4247
FAX: 800-640-2252

CL-730C
 CL-730CJP

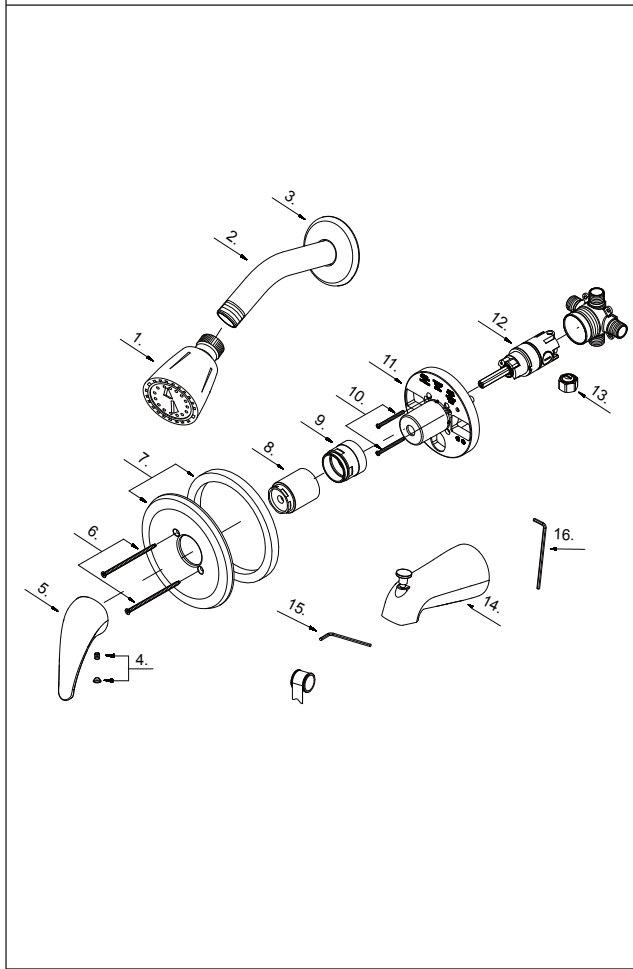
CL-720C
 CL-720CJP

CL-700C
 CL-700CJP

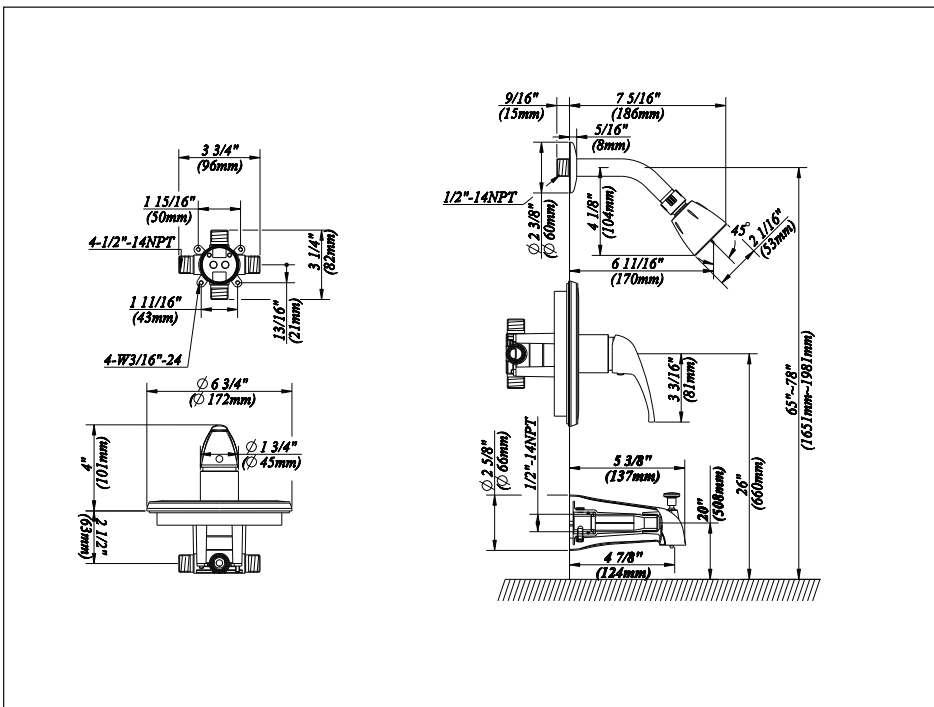


Single Handle Tub & Shower Faucet

No.	Name	Material
1	Shower Head	Plastic
2	Shower Arm	Brass
3	Shower Arm Flange	Brass
4	Handle Cap	Plastic
5	Metal Handle	Zinc Alloy
6	Screw Set (3/16" -24 * 3-9/16" L)	Stainless Steel
7	Escutcheon Assembly	Stainless Steel
8	Sleeve	Plastic
9	Retainer Nut	Brass
10	Screw Set (3/16" -24 * 2-3/16" L)	Stainless Steel
11	Plaster Guard	Plastic
12	Washerless Cartridge Assembly	Plastic & Brass
13	Plug	Brass
14	Spout W/ Diverter (Slip Fit)	Zinc Alloy
15	Hex Wrench (H2.5 * 19 mm L * 53 mm L)	Stainless Steel
16	Hex Wrench (H3.18 * 20 mm L * 90 mm L)	Stainless Steel



Product Spec Sheet



APPROVALS:
 Meets or Exceeds The Following:

- * ANSI/ASME A112.18.1
- * IAPMO/UPC

CALIFORNIA: TEL: 866-532-8306 FAX: 866-532-8307
TEXAS: TEL: 800-935-5456 FAX: 800-683-4247
NEW YORK: TEL: 800-431-2082 FAX: 800-640-2252

Visit Our Web Site : www.matco-norca.com