

PA-150C
 PA-150ORB

PA-150SS



Single Handle Pullout Kitchen Faucet

Product Spec Sheet



FEATURES & BENEFITS

- This Product Contains Less Than 0.25% Weighted Average Lead Content On Wetted Surfaces
- Metal Lever Handle
- 1 Or 3 Hole Installation
- Optional Deck Plate Included
- Max Flow Rate 2.2 GPM(8.4 LPM) at 60 PSI (ASME.A112.18.1)

PA-150C
Chrome Finish

PA-150SS
Stainless Steel Finish

PA-150ORB
Oil Rubbed Bronze Finish

APPROVALS:

Meets or Exceeds The Following:

- * ANSI/ASME A112.18.1
- * ANSI/NSF 61 – Sec. 9
- * IAPMO/UPC
- * CA AB1953



CALIFORNIA:
TEXAS:
NEW YORK:

TEL: 866-532-8306
TEL: 800-935-5456
TEL: 800-431-2082

FAX: 866-532-8307
FAX: 800-683-4247
FAX: 800-640-2252

Visit Our Web Site : www.matco-norca.com

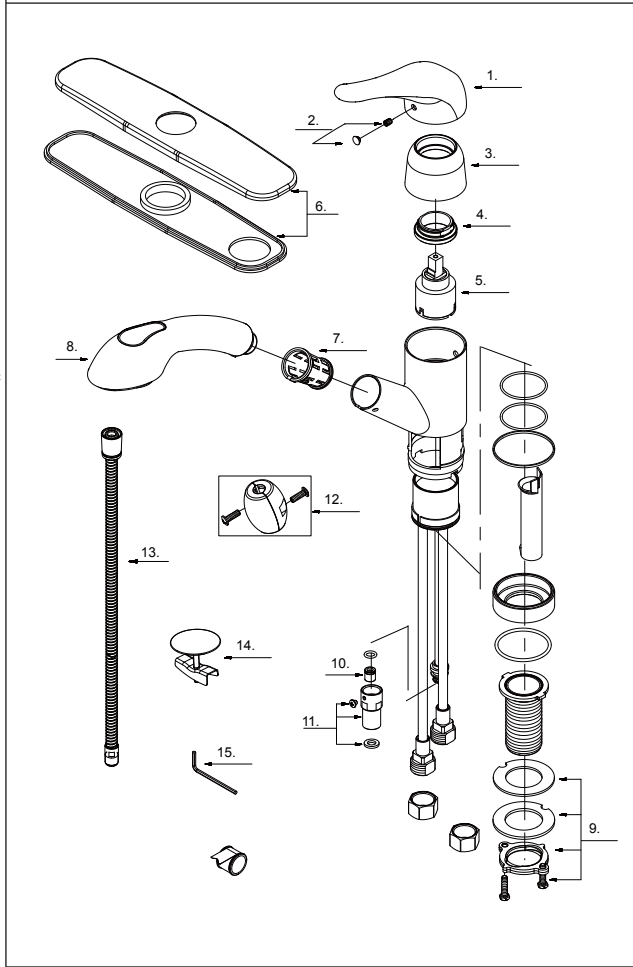
PA-150C
 PA-150RB

PA-150SS

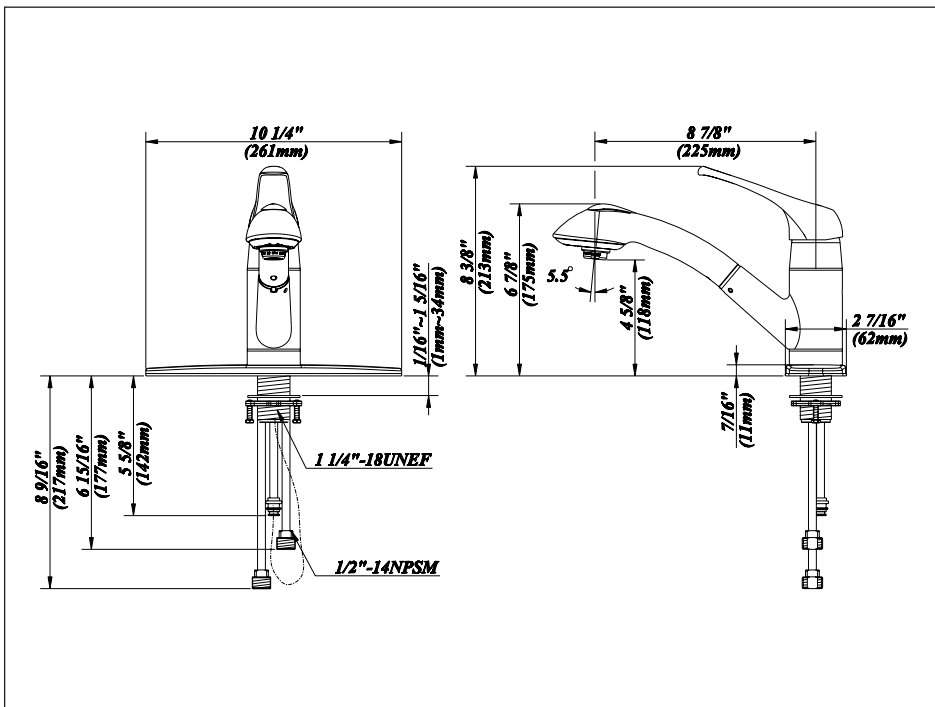


Single Handle Pullout Kitchen Faucet

No.	Name	Material
1	Metal Handle	Zinc Alloy
2	Index Button-Cold/Hot	Plastic
3	Trim Cap	Plastic
4	Locking Nut	Brass
5	Ceramic Disc Cartridge	Ceramic & Plastic
6	Cover Plate & Putty Plate	Zinc Alloy & Plastic
7	Hose Guide	Plastic
8	Hand Spray w/Check Valve	Plastic
9	Mounting Hardware Assembly	Stainless Steel
10	Check Valve	Plastic
11	Hose Adaptor Assembly	Brass
12	Weight	Plastic
13	Spray Hose	Stainless Steel
14	Sink Hole Cover	Stainless Steel
15	Hex Wrench(H2.5 * 19 mm L * 53 mm L)	Stainless Steel



Product Spec Sheet



APPROVALS:

Meets or Exceeds The Following:

- * ANSI/ASME A112.18.1
- * ANSI/NSF 61 – Sec. 9
- * IAPMO/UPC
- * CA AB1953

CALIFORNIA: TEL: 866-532-8306 FAX: 866-532-8307
 TEXAS: TEL: 800-935-5456 FAX: 800-683-4247
 NEW YORK: TEL: 800-431-2082 FAX: 800-640-2252

Visit Our Web Site : www.matco-norca.com