

# Home Care Technical Specification

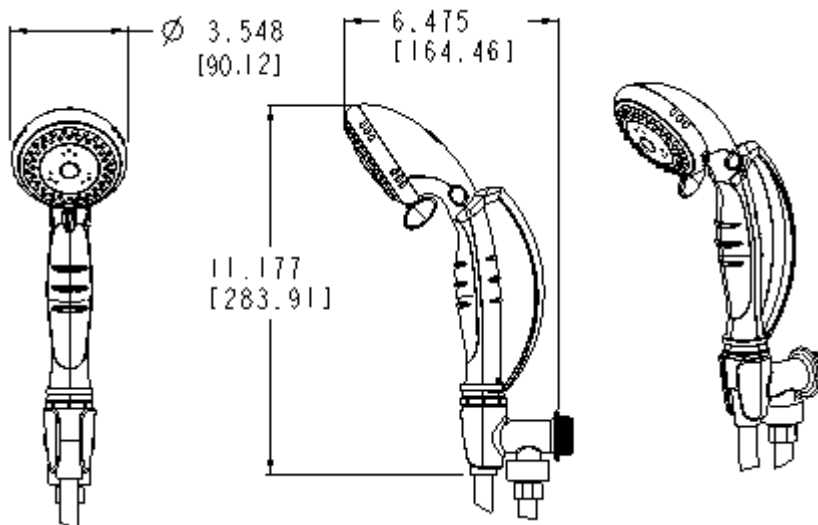
## Pause Control Handheld Shower

# DN8001

### Stock Numbers:

- DN8001 – Pause Control Handheld Shower  
White
- DN8001CH – Pause Control Handheld Shower  
Chrome

### Dimensions:



### Materials:

Hand Held Shower is made of ABS Plastic and Santoprene.

### Installation Instructions:

1. Remove the existing cradle or showerhead from the wall by unscrewing (counter clockwise) the product from the end of the shower arm.
2. Cover the thread of the pipe coming out of the wall with thread seal tape (included).
3. Screw the Pause Control Handheld shower cradle on to the pipe (shower arm) coming out of the wall.
4. Identify the end of the hose with the black washer inside the plastic nut and screw the hose onto the bottom of the cradle.
5. Screw handheld shower onto the other end of the hose.
6. Rest the handheld shower in the cradle.

Stock Number: \_\_\_\_\_ Hand Held Shower  
By Creative Specialties



25300 AL MOEN DRIVE • NORTH OLMSTED, OH 44070  
CORPORATE HEADQUARTERS: (800) 321-8809 • FAX: (800) 848-6636  
INTERNATIONAL: (440) 962-2000 • FAX: (440) 962-2726  
CUSTOMER SERVICE (USA): 800-882-0116 • FAX: (888) 379-2720  
WWW.HOMECARE.MOEN.COM

©Copyright Creative Specialties International 2006

Literature #BA1353