



Buy it for looks. Buy it for life.®

Specifications

DESCRIPTION

- Digital thermostatic valve design with 3/4" inlet push fit connections and 1/2" outlet push fit connections

OPERATION

- Temperature range adjustment from 60 degrees F to 120 degrees F (16 degrees C to 49 degrees C). Factory maximum setting is 115 degrees (46 degrees C)
- Must be used with T3420 or 295 series
- Valve must be installed in an area that has an access panel

FLOW

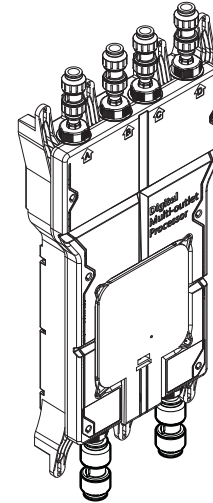
- Designed to deliver 16gpm (60 L/min) at 45 psi unrestricted flow

STANDARDS

- Third party certified to meet ASME A112.18.1/CSA B-125.1 and all applicable requirements referenced therein including ASSE 1016
- Third party certified to meet UL1951
- Third party certified to meet FCC part 15

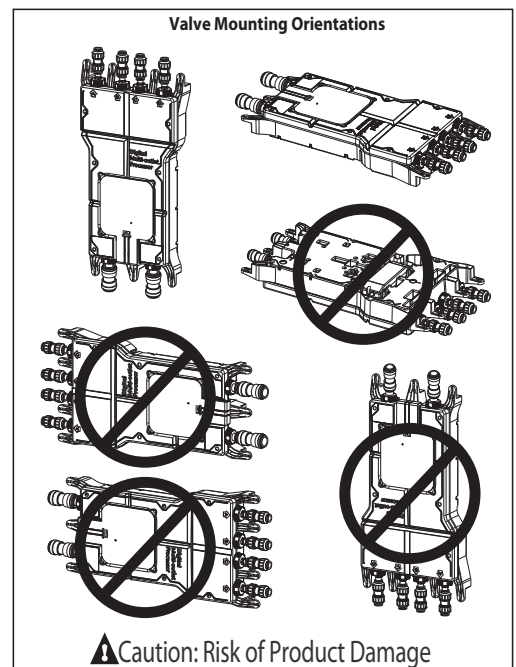
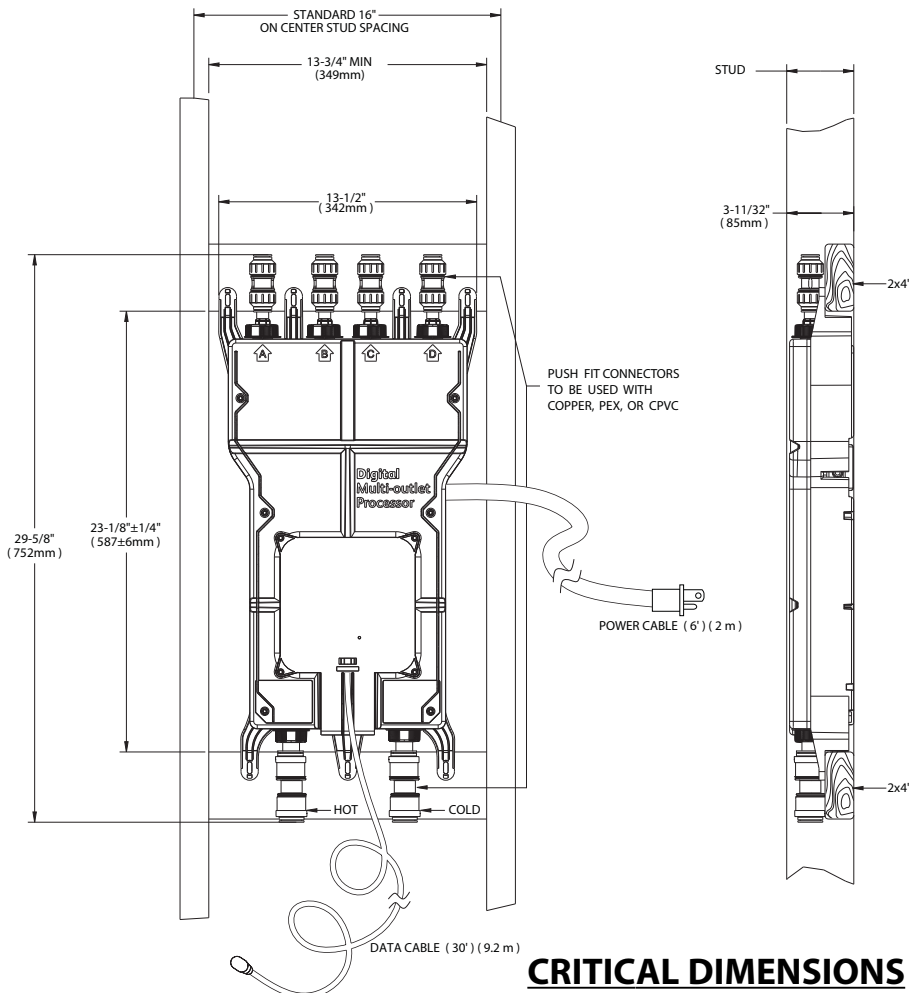
WARRANTY

- Lifetime 5 year warranty against leaks, drips and operation defects to the original consumer purchaser
- 1 year warranty if used in commercial installations



io DIGITAL™ Thermostatic Shower Valve

Model: 3384



TO ORDER PARTS CALL: 1-800-BUY-MOEN

www.moen.com