

# Home Care Technical Specification

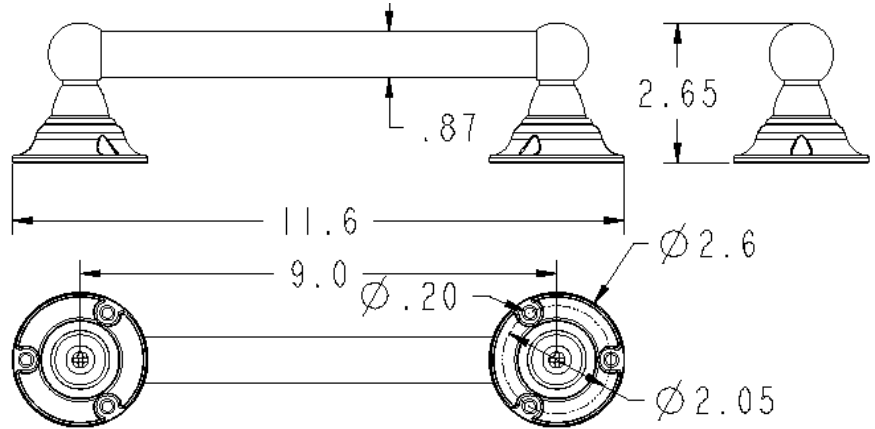
## Designer Hand Grip

LR2250D

### Stock Numbers:

- ❑ LR2250DBN – 9” Designer Hand Grip  
Brushed Nickel Finish  
Exposed Screw
- ❑ LR2250DCH – 9” Designer Hand Grip  
Chrome Finish  
Exposed Screw
- ❑ LR2250DOWB– 9” Designer Hand Grip  
Old World Bronze Finish  
Exposed Screw

### Dimensions:



### Materials:

The **bar** is made from Stainless Steel and the **posts** are Zinc.

### Installation Instructions:

1. Locate stud
  2. Position assembled unit on wall in desired location
  3. Mark starter holes
  4. Drill (6) 1/8 inch diameter holes
  5. Mount assembled unit on wall using 2" screws (provided)
- Note: Wood blocking is preferable behind all wall surfaces

Stock Number: \_\_\_\_\_ Designer Hand Grip  
By Creative Specialties



25300 AL MOEN DRIVE • NORTH OLMSTED, OH 44070  
CORPORATE HEADQUARTERS: (800) 321-8809 • FAX: (800) 848-6636  
INTERNATIONAL: (440) 962-2000 • FAX: (440) 962-2726  
CUSTOMER SERVICE (USA): 800-882-0116 • FAX: (888) 379-2720  
WWW.CSI.MOEN.COM

©Copyright Creative Specialties International

Literature #BA1448