



A Moen Incorporated Brand

**DESCRIPTION**

- Metal construction with various finishes identified by suffix
- Includes hose and spray (41613)
- Hose reach 36", hose length 48" (41613)
- 1/2" IPS connections
- Six (6) individual boxes per master carton
- Matching finish side spray with Hydrolock® quick connect system (41613)

**OPERATION**

- Lever-style handles
- Hot side: Turn counterclockwise to open (clockwise to close)
- Cold side: Turn clockwise to open (counterclockwise to close)
- Will operate with less than 5 lbs. of torque
- No grasping motion required to operate the faucet handles

**FLOW**

- Aerator limited to 2.2 gpm (8.3 L/min)

**CARTRIDGE**

- Ceramic disc technology
- Non-metallic, non-ferrous, and brass material
- Single body construction for easy replacement

**STANDARDS**

- Third party certified to meet CSA B-125.1, ASME A112.18.1 and all applicable requirements referenced therein including NSF 61/9
- Complies with California Proposition 65 and with the Federal Safe Water Drinking Act

- **ADA** for lever handles

- Features red/blue hot/cold temperature indicators

**WARRANTY – RESIDENTIAL, COMMERCIAL**

- Ten year limited warranty against defects in materials and manufacturing workmanship
- Refer to the installation instructions enclosed with each CFG product or call 1-888-450-4910 for complete warranty information

**CRITICAL DIMENSIONS**

- This faucet designed to be installed through 3 holes (41611) or 4 holes (41613), 1-1/4" minimum diameter, 8" centers
- Maximum deck thickness 1-1/8" (28.6mm)

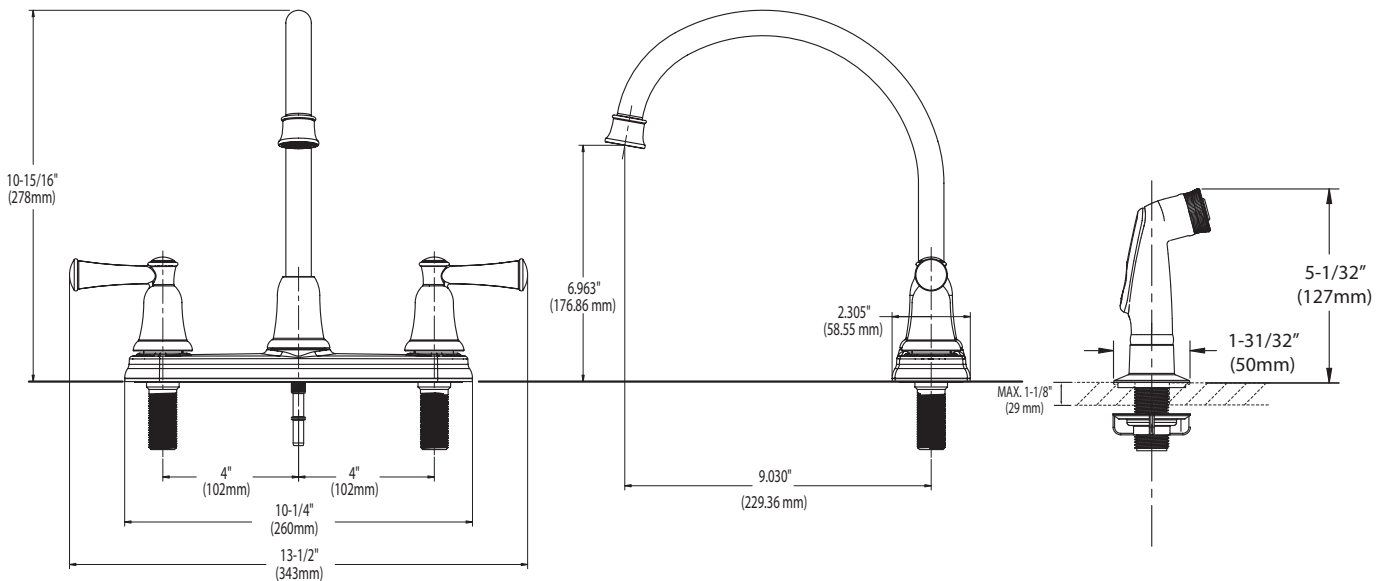


**Capstone™**

**Two Handle High-Arc Kitchen Faucet**

**Model: 41613 series  
with matching finish side spray**

**Model: 41611 series  
less side spray**



**CRITICAL DIMENSIONS**

(DO NOT SCALE)