

# Home Care Technical Specification

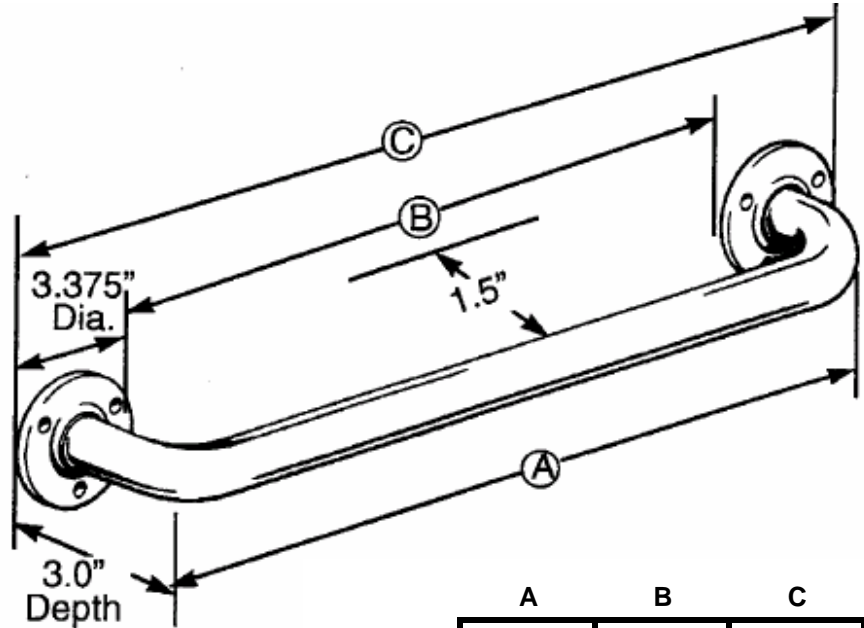
## 1 1/4" Grab Bars – Exposed Screw

7400

### Stock Numbers:

- q **7412 – 12" Grab Bar**  
Satin Finish  
1 1/4" Bar  
Exposed Screw Mounting
- q **R7418 – 18" Grab Bar**  
Satin Finish  
1 1/4" Bar  
Exposed Screw Mounting
- q **R7424 – 24" Grab Bar**  
Satin Finish  
1 1/4" Bar  
Exposed Screw Mounting
- q **DN7430 – 30" Grab Bar**  
Satin Finish  
1 1/4" Bar  
Exposed Screw Mounting
- q **R7436 – 36" Grab Bar**  
Satin Finish  
1 1/4" Bar  
Exposed Screw Mounting
- q **R7442 – 42" Grab Bar**  
Satin Finish  
1 1/4" Bar  
Exposed Screw Mounting
- q **7448 – 48" Grab Bar**  
Satin Finish  
1 1/4" Bar  
Exposed Screw Mounting

### Dimensions:



	A	B	C
7412	12"	8.5	15.25
7418	18"	14.5	21.25
7424	24"	20.5	27.25
7430	30"	26.5	33.25
7436	36"	32.5	39.25
7442	42"	38.5	45.25
7448	48"	44.5	51.25

### Materials:

1 1/4" Grab Bar rods are formed from type 304 stainless steel tubing with a satin finish.

12" – 42" length is 20 gauge  
48" length is 18 gauge

### Compliance:

- ADA Compliant
- Tested to 300 lbs. pull

### Installation Instructions:

1. Position unit on wall in desired location.
  2. Mark mounting holes.
  3. Drill starter holes.
  4. Mount unit on wall using 2 1/4" screws (provided).
- Note: Wood blocking is preferable behind all wall surfaces. If wood blocking is not available, the following optional fasteners are suggested: Tile/Masonry – Plastic or Lead Anchors; Plaster/Drywall – Toggle Bolts.

**Stock Number:** \_\_\_\_\_ 1 1/4" Grab Bars  
By Creative Specialties



25300 AL MOEN DRIVE • NORTH OLMS TED, OH 44070  
CORPORATE HEADQUARTERS: (800) 321-8809 • FAX: (800) 848-6636  
INTERNATIONAL: (440) 962-2000 • FAX: (440) 962-2726  
CUSTOMER SERVICE (USA): 800-882-0116 • FAX: (888) 379-2720  
WWW.SHOWHOUSE.MOEN.COM

©Copyright Creative Specialties International