



Buy it for looks. Buy it for life.®

Specifications

FAUCET DESCRIPTION

- Various finishes identified by suffix
- Fixed mount showerhead only
- Nonmetallic spray face
- Nonmetallic shell

OPERATION

- Single spray

FLOW

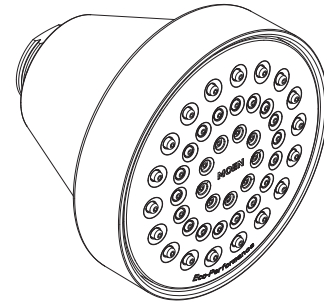
- Showerhead is limited to 2.5 gpm (9.5 L/min) at 80 psi
- EP suffix models are limited to 1.75 gpm (6.6 L/min) at 80 psi

STANDARDS

- Third party certified to meet ASME A112.18.1/CSA B125.1 and all applicable requirements referenced therein
- EP suffix models are IAPMO Green listed and third party certified to WaterSense®

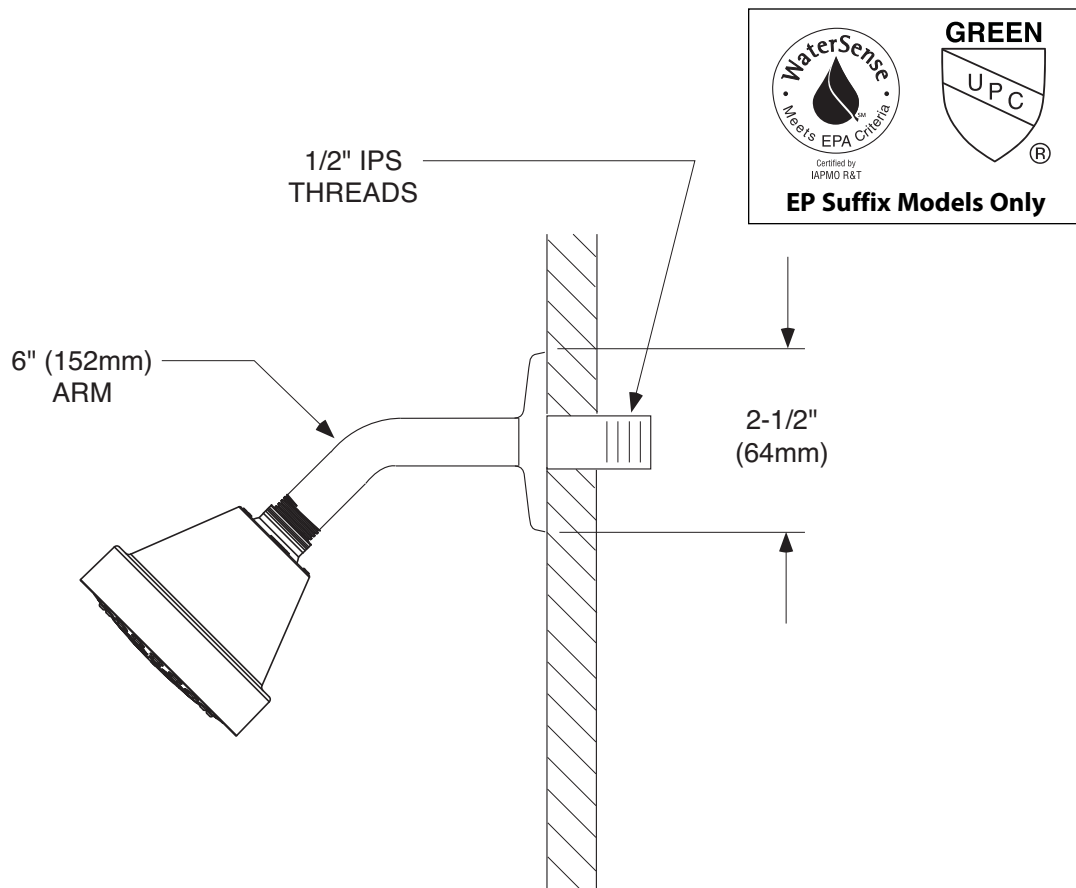
WARRANTY

- Lifetime limited warranty against leaks, drips and finish defects to the original consumer purchaser
- 5 year warranty if used in commercial installations



Single Function Showerhead

Models: 6399 series



CRITICAL DIMENSIONS

(DO NOT SCALE)

FOR MORE INFORMATION CALL: 1-800-BUY-MOEN

www.moen.com