



Buy it for looks. Buy it for life.®

Specifications

*There is more than 1 version of this model.
Page down to identify the version you have.*

DESCRIPTION

- Metal construction with chrome plated finish
- Flexible supplies with 3/8" compression fittings
- Includes Protégé side spray

OPERATION

- Lever style handle
- Temperature controlled by 100° arc of handle travel
- Will operate with less than 5 lbs. of force


FLOW

- Aerator is limited to 2.2 gpm max (8.3 L/min)

CARTRIDGE

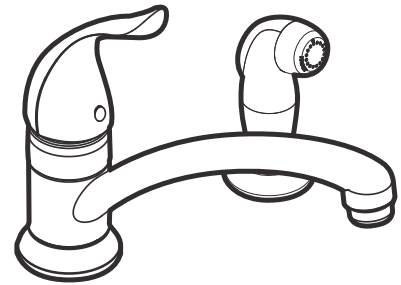
- 1255™ Duralast™ cartridge

STANDARDS

- Third party certified to: CSA B125.1, ASME A112.18.1, and all applicable requirements referenced therein including NSF61/9
- Contains no more than 0.25% weighted average lead content
- Complies with California Proposition 65 and with the Federal Safe Drinking Water Act
- **ADA**  for lever handle

WARRANTY

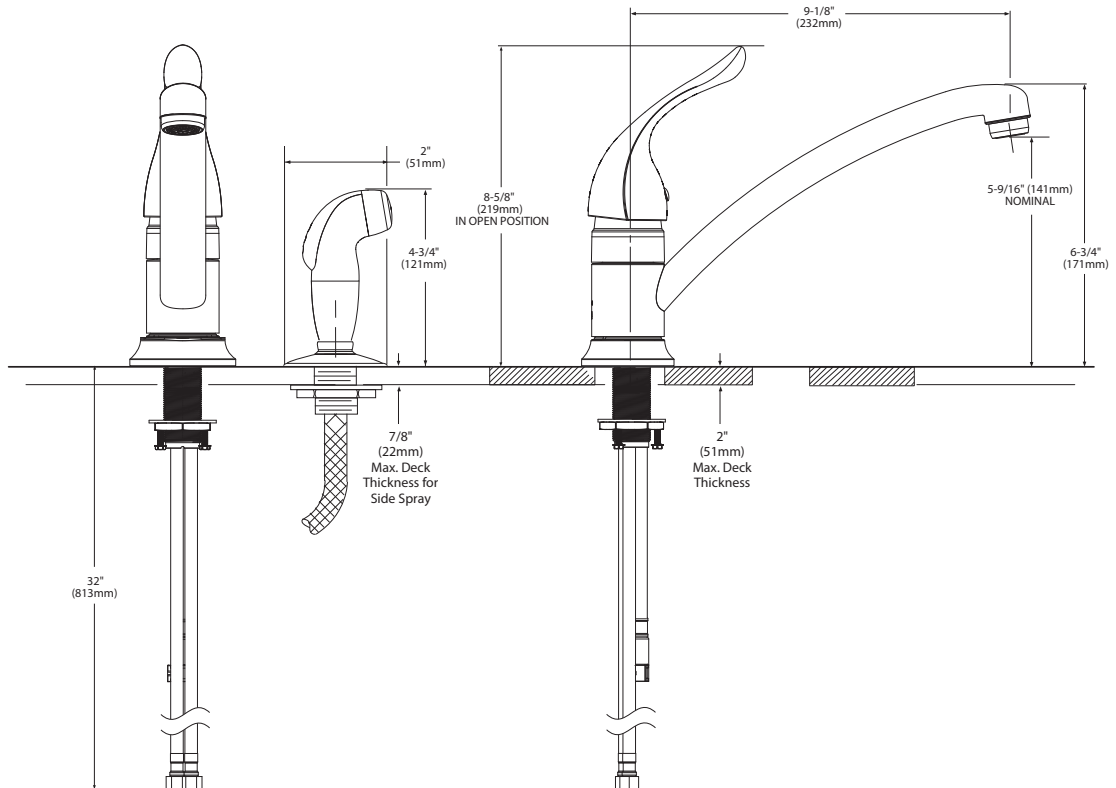
- Lifetime limited warranty against leaks, drips and finish defects to the original consumer purchaser
- 5 year warranty if used in commercial installations



CHATEAU® Single-Handle Kitchen Faucet

Model: 7423 less spray
7437 with spray

NOTE: DESIGNED TO INSTALL
THRU 2 HOLES 1-1/4" (32mm) MIN. DIA.
AND 4" (102mm) ON CENTER



CRITICAL DIMENSIONS

(DO NOT SCALE)



Buy it for looks. Buy it for life.®

Specifications

DESCRIPTION

- Metal construction with chrome plated finish
- 1/2" IPS connections will accept standard ball nose connection for 3/8" tubing
- Includes Protégé side spray

OPERATION

- Lever style handle
- Temperature controlled by 180° arc of handle travel
- Will operate with less than 5 lbs. of force

FLOW

- Aerator is limited to 2.2 gpm max (8.3 L/min)

CARTRIDGE

- 1225 cartridge design (not 1200)
- Nonmetallic/nonferrous and stainless steel material

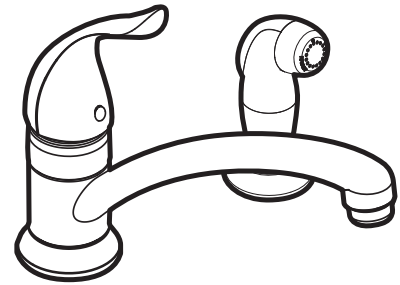
STANDARDS

- Third party certified to CSA B-125.1, ASME A112.18.1, ICC A117.1 and all applicable requirements referenced therein including NSF 61/9
- Complies with California Proposition 65 and with the Federal Safe Drinking Water Act

- **ADA**  for lever handle

WARRANTY

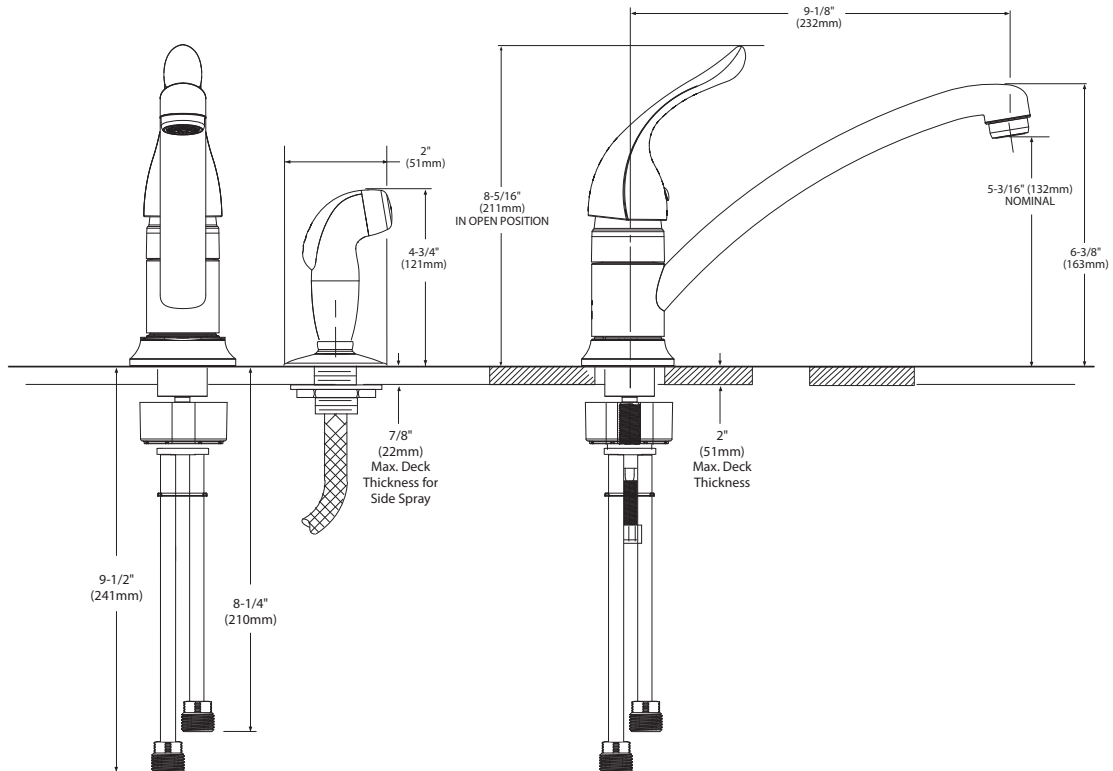
- Lifetime limited warranty against leaks, drips and finish defects to the original consumer purchaser
- 5 year warranty if used in commercial installations



CHATEAU® Single-Handle Kitchen Faucet

Model: 7423 less spray
7437 with spray

NOTE: DESIGNED TO INSTALL
THRU 2 HOLES 1-1/4" (32mm) MIN. DIA.
AND 4" (102mm) ON CENTER



CRITICAL DIMENSIONS

(DO NOT SCALE)

FOR MORE INFORMATION CALL: 1-800-BUY-MOEN

www.moen.com