

FAUCET DESCRIPTION

- Chrome plated brass construction
- Optional 4" deck plate available, purchased separately see model number 99550

OPERATION

- ADA compliant lever style handle
- 1/2" IPS supply shanks


FLOW

- Aerator is limited to 0.5 gpm max. (1.9 L/min)

CARTRIDGE

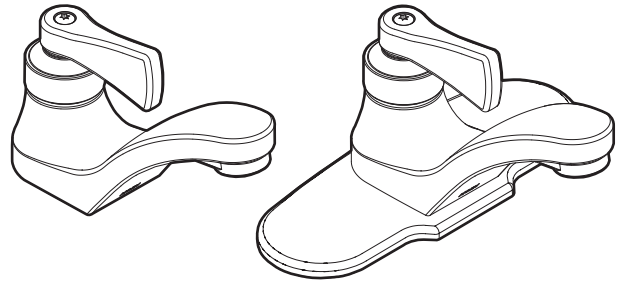
- Brass shell, ceramic disc cartridge
- 1/4" turn operation

STANDARDS

- Third party certified to ASME A112.18.1/CSA B125.1 and all applicable specifications referenced therein
- Certified to ANSI/NSF 61/9
- Complies with California Proposition 65 and with the Federal Safe Drinking Water Act
- **ADA**  for lever handle

WARRANTY

- Warranted for 5 years against material or manufacturing defects

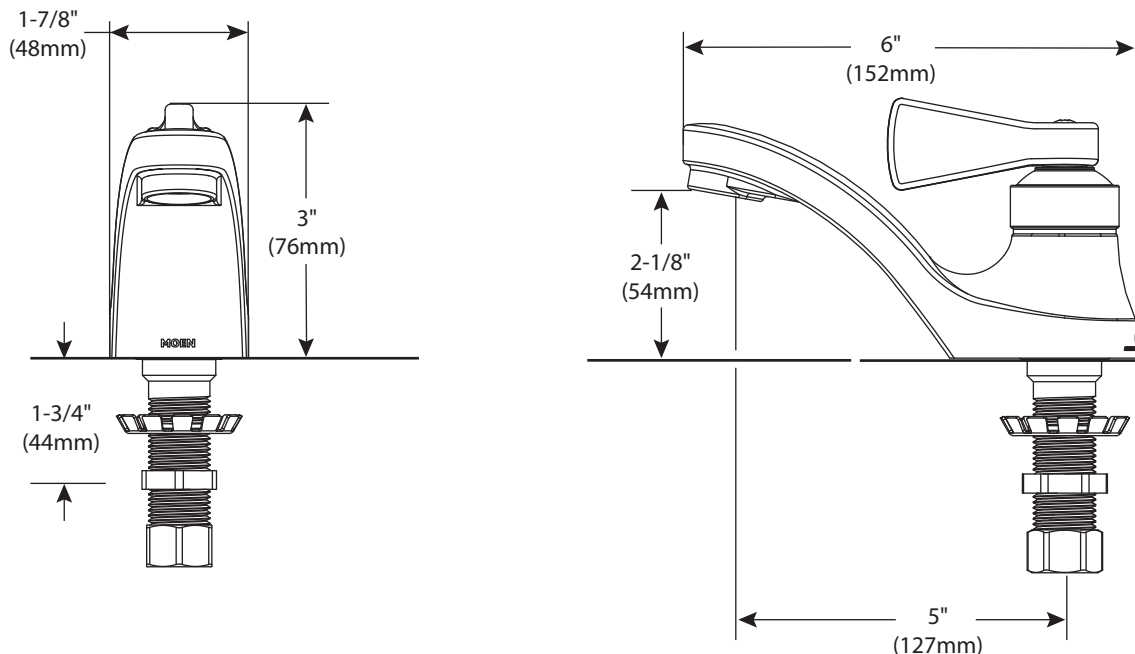


Optional/Opcional/Optionnel

Single Basin Faucet

Model: 8161 (Chrome)

NOTE: DESIGNED TO BE INSTALLED THROUGH
1 HOLE 7/8" MIN. DIA.



CRITICAL DIMENSIONS

(DO NOT SCALE)